

TH227 Small vise grip

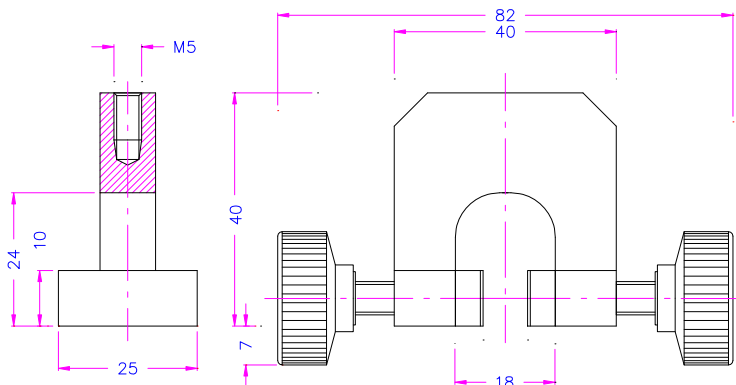
- Applicable for packaging materials, paper, plastic foils, wires, yarns etc
- Tensile force: 100N
- Opening: 0-8 mm (depending on jaws)
- Temperature range 0°C – 130°C (depending on jaw type)
Other temperature ranges on request
- Adapter/Coupling: M5 internal thread
Other couplings possible with additional adapters
- Body: anodized aluminum
- Weight 60 gram per item (without jaws)
- Scope of delivery: 1 pair (without jaws)



Jaws for TH227: Scope of delivery 1 Set = 4 jaws

Item number	Surface	Clamping surface H x W	Opening	Weight / per pair
TH227-B25	Blank jaws	10 x 25mm	0 – 8mm	18 gram
TH227-BG25	Rubber jaws	10 x 25mm	0 – 6mm	19 gram
TH227-BP25	Pyramid jaws	10 x 25mm	0 – 8mm	17 gram
TH227-BD25	Diamond jaws	10 x 25mm	0 – 8mm	18 gram
TH227-B50	Blank jaws	10 x 50mm	0 – 6mm	46 gram
TH227-BG50	Rubber jaws	10 x 50mm	0 – 4mm	48 gram
TH227-BP50	Pyramid jaws	10 x 50mm	0 – 6mm	43 gram
TH227-BD50	Diamond jaws	10 x 50mm	0 – 6mm	46 gram
TH227-B100	Blank jaws	10 x 100mm	0 – 6mm	92 gram
TH227-BG100	Rubber jaws	10 x 100mm	0 – 4mm	95 gram
TH227-BP100	Pyramid jaws	10 x 100mm	0 – 6mm	86 gram
TH227-BD100	Diamond jaws	10 x 100mm	0 – 6mm	92 gram

Jaws with other dimensions and surfaces on request



<p>Blank jaws</p> <ul style="list-style-type: none"> - Suitable for own further treatment - Steel-blanks without coating 	
<p>Rubber jaws</p> <ul style="list-style-type: none"> - 1mm rubber coating (NBR) - Nickel plated 	
<p>Pyramid jaws</p> <ul style="list-style-type: none"> - Pyramids 0.8x45° - Hardened steel 58HRC - Nickel plated 	
<p>Diamond jaws</p> <ul style="list-style-type: none"> - Clamping surface coated with synthetic diamonds - Nickel plated 	

Examples for other versions and custom built solutions



TH227-A4+BP-6K - Made of A4



TH227-BLC-R5 - Radius 5 mm



TH227-S46+BP (opening 46 mm)



TH227-BW25x25