

TH56g Vise grip

Opening: 0 – 15mm (depending on jaws)
Weight: 1.04kg per item (without jaws)

TH56g-H200 Vise grip

Total height: 220mm
Distance between lower edge of jaws and coupling: 200mm
Opening: 0 – 44mm (depending on jaws)
Weight: 1.7kg per item (without jaws)

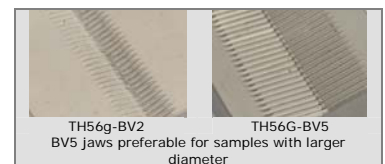
- A versatile general purpose grip applicable for plastics, textiles, paper, steel foils, aluminum etc
- Jaws adjust to specimen by socket bearing
- Tensile force: 5 kN
- Temperature range: 0°C - +180°C (depending on jaws)
Other temperature ranges possible on request
- Body: aluminum, anodized
- Scope of delivery: 1 pair without jaws
- Also as pneumatic grip available (see data sheet TH56g+ko)



Jaws for TH56g: Scope of delivery 1 set = 4 jaws

Item No.	Surface	Clamping surface H x W	Opening TH56g	Opening TH56g-H200	Weight per pair
TH56g-B	Blank jaws	30 x 50mm	0 – 15mm	0 – 44mm	0.22kg
TH56g-BG	Rubber jaws	30 x 50mm	0 – 13mm	0 – 42mm	0.22kg
TH56g-BP	Pyramid jaws	30 x 50mm	0 – 15mm	0 – 44mm	0.21kg
TH56g-BV2	V-jaws	30 x 50mm	Ø 2 – 15 mm	Ø 2 – 41 mm	0.22kg
TH56g-BV5	V-jaws	30 x 50mm	Ø 5 – 11 mm	Ø 5 – 41 mm	0.26kg
TH56g-BW	Wave jaws	30 x 50mm	0 – 15mm	0 – 44mm	0.20kg
TH56g-BD	Diamond jaws	30 x 50mm	0 – 15mm	0 – 44mm	0.22kg

Jaws with other dimensions and surface coatings on request

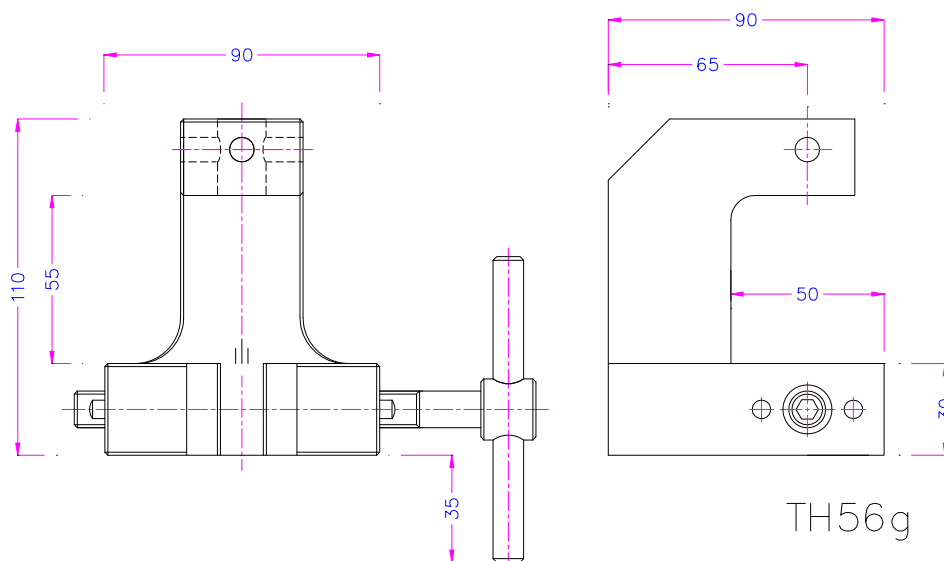


Inset jaws for TH56g: Scope of delivery 1 set = 4 jaws

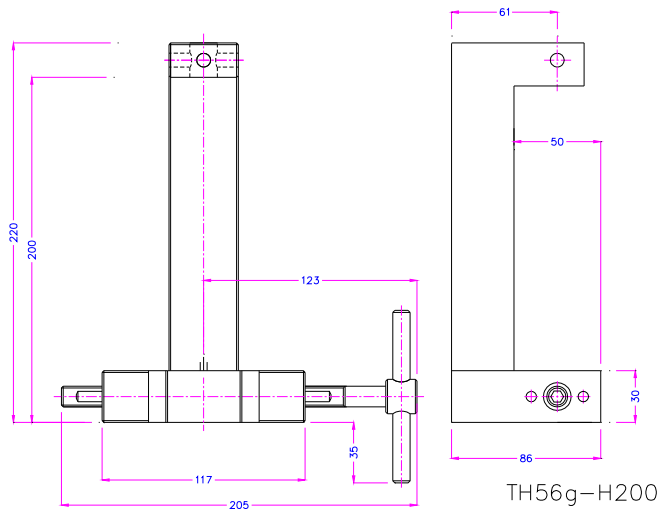
Quick change system - Inset jaws require carriers (TH56g-GT)

Item No.	Surface	Clamping surface H x W	Opening TH56g	Opening TH56g-H200	Weight per pair
TH56g-GT	Carrier	-			0.18kg
TH56g-EB	Blank inset jaws	30 x 50mm	0 – 5mm	0 – 34mm	0.14kg
TH56g-EBG	Rubber inset jaws	30 x 50mm	0 – 3mm	0 – 32mm	0.14kg
TH56g-EBP	Pyramid inset jaws	30 x 50mm	0 – 5mm	0 – 34mm	0.13kg
TH56g-EBD	Diamond inset jaws	30 x 50mm	0 – 5mm	0 – 34mm	0.14kg

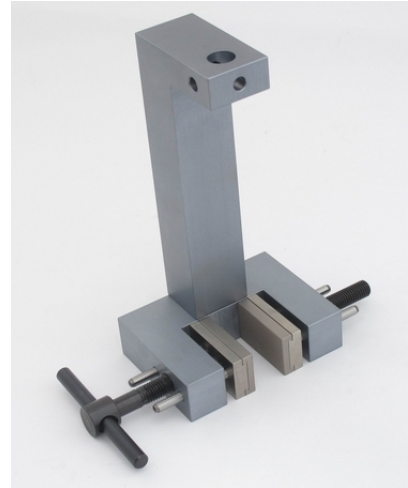
Jaws with other dimensions and surface coatings on request



<p>Blank jaws</p> <ul style="list-style-type: none"> - Suitable for own further treatments - Steel-blanks without coating <p>Rubber jaws</p> <ul style="list-style-type: none"> - 1mm rubber coating (NBR) - Nickel plated <p>Pyramid jaws</p> <ul style="list-style-type: none"> - Pyramid 1.2x45° - Hardened steel 58 HRC - Nickel plated <p>V-jaws</p> <ul style="list-style-type: none"> - For all kinds of round samples - Tooth pitch 1.2 mm. - Tempered steel 58 HRC, - Nickel plated - <p>Wave jaws</p> <ul style="list-style-type: none"> - For flexible materials - Wave 5 mm - Hardened steel 58 HRC - Nickel plated <p>Diamond jaws</p> <ul style="list-style-type: none"> - Clamping surface coated with synthetic diamonds - Nickel plated 	
---	--



TH56g-H200



TH56g-H200+GT+EBP

Examples of other versions and custom built solutions



TH56g-EI
Optional for TH56g quick-release lever



TH56g-BVG
Rubber coated V-jaws



TH56g-BP25x25
Clamping surface 25x25mm

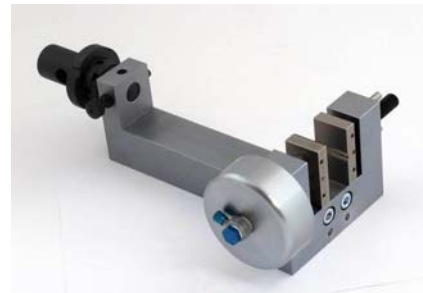
Pneumatic versions (see data sheet TH56g+ko)



TH56g+Ko+BW



TH56g+2Ko+BP



TH56g-H200+Ko+BV
with Adapter THS626-158-317