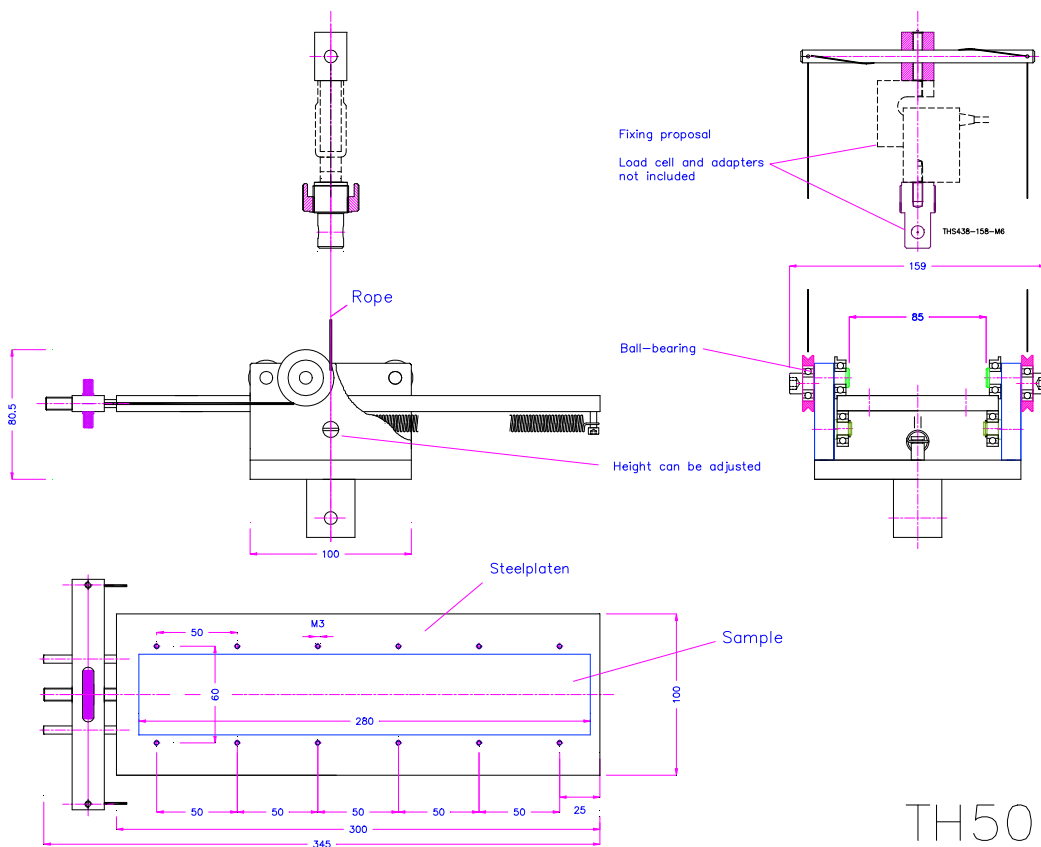


Peel test fixture

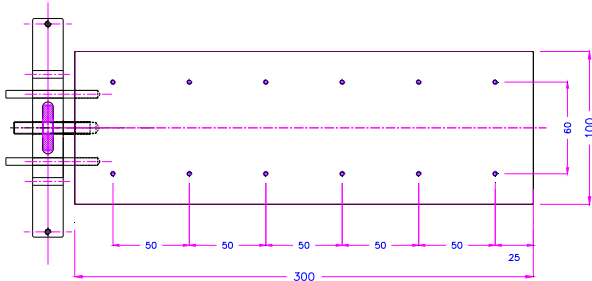
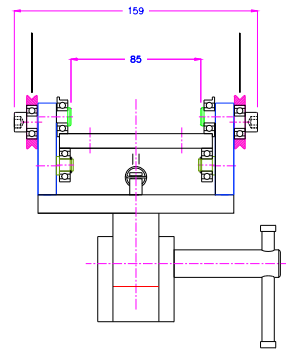
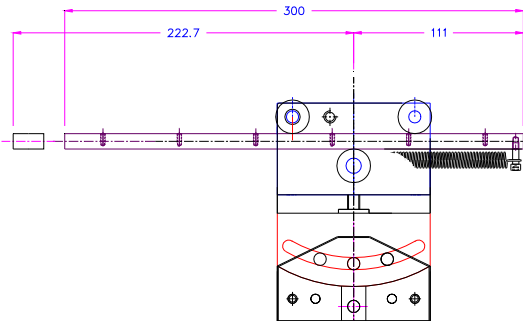
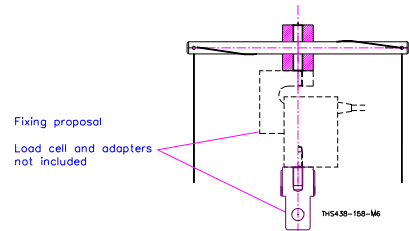
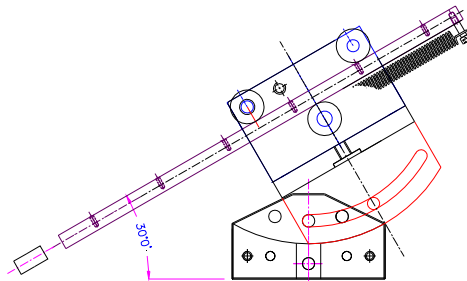
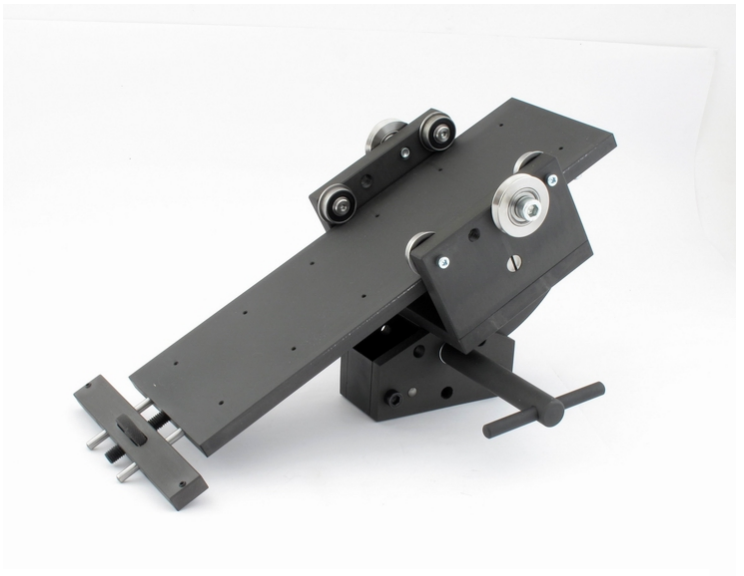
Used to measure the bond strength.
The sliding table provides a steady movement to maintain a constant angle peel (the peel point remains at the centre).

TH50	
Maximum load	10 kN
Specimen width	0 – 50 mm
Specimen length	0 – 250 mm
Body	Steel, manganese phosphate coated
Temperature range	0 – 70 °C Other temperature ranges on request
Weight	5.15 kg
Scope of delivery	1 fixture incl. mounting bar, wire and wire end tubes



TH50

TH50+SW		0-30° variable adjustable angle
Maximum load	10 kN	
Specimen width	0 – 50 mm	
Specimen length	0 – 250 mm	
Body	Steel, manganese phosphate coated	
Temperature range	0 – 70 °C Other temperature ranges on request	
Weight	7.1 kg	
Scope of delivery	Fixture incl. mounting bar, wire and wire end tubes	



TH50+SW

Examples of special versions



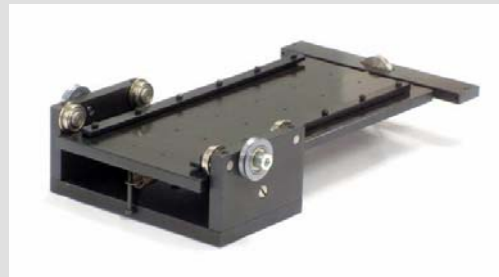
TH50-B260-L300-SW



TH50+S31-laterally movable



TH50+SW2



TH50-W130



TH50-S19



TH50-ground plate+THS572



TH50-P2