



# Newsletter

Issue : 2021 - 11  
Author : Veena Jay



## Dynamic fatigue test fixtures

**THS879-30**

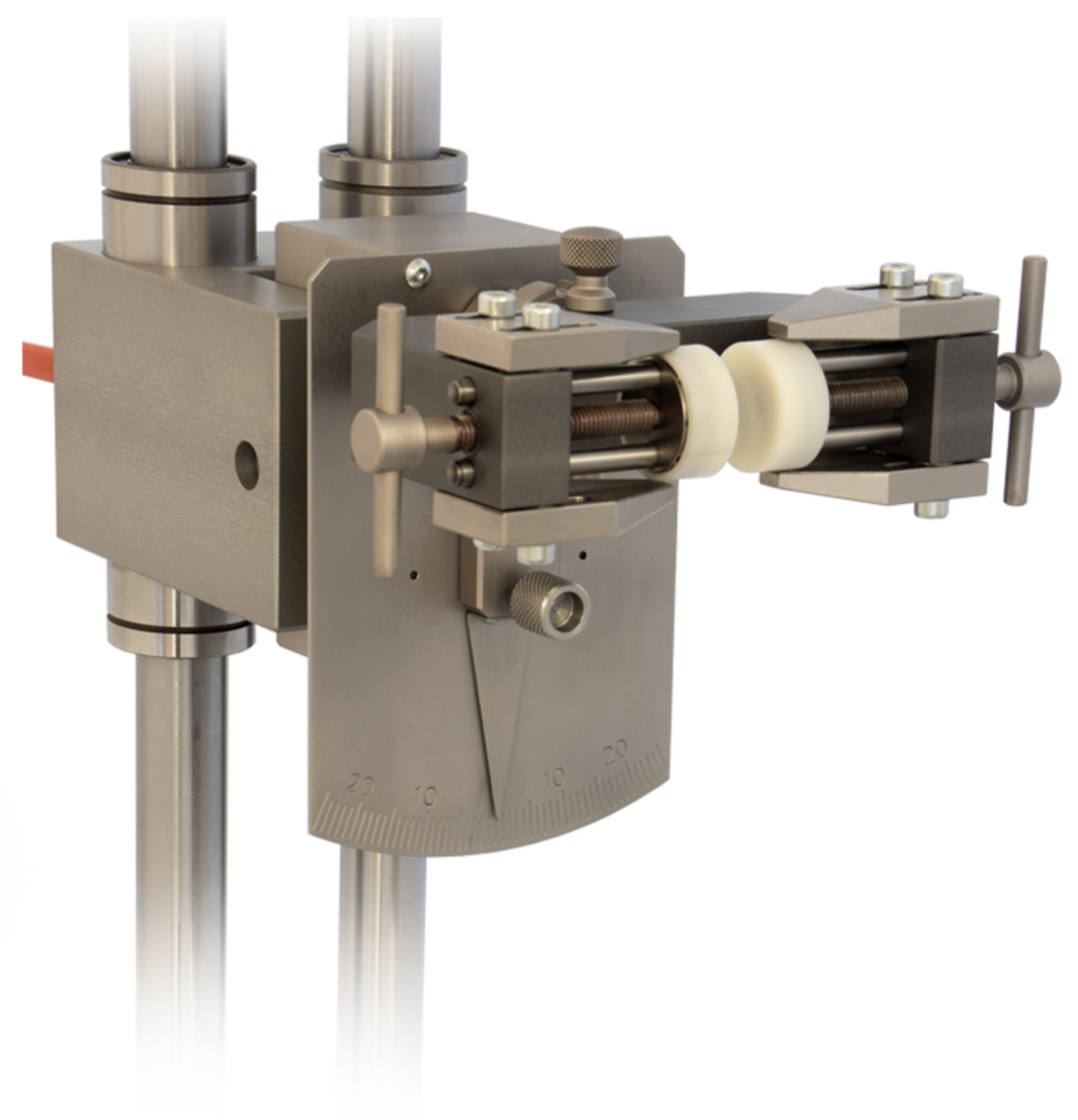
Special fixture to test hip prostheses to determine endurance properties and performance of stemmed femoral components of partial and total hip joint prostheses for implants for surgery.

Max. load 30 kN

According to ISO7206-4



[See datasheet](#)



[Click to download all Images and Animations of the listed grips](#)





## THS28

Light-weight fatigue test grips with high clamping force.  
Applicable for Steel, Aluminium, composite Materials such as Fibreglass, Carbon-Fibre-Reinforced Polymer (CFRP), etc.

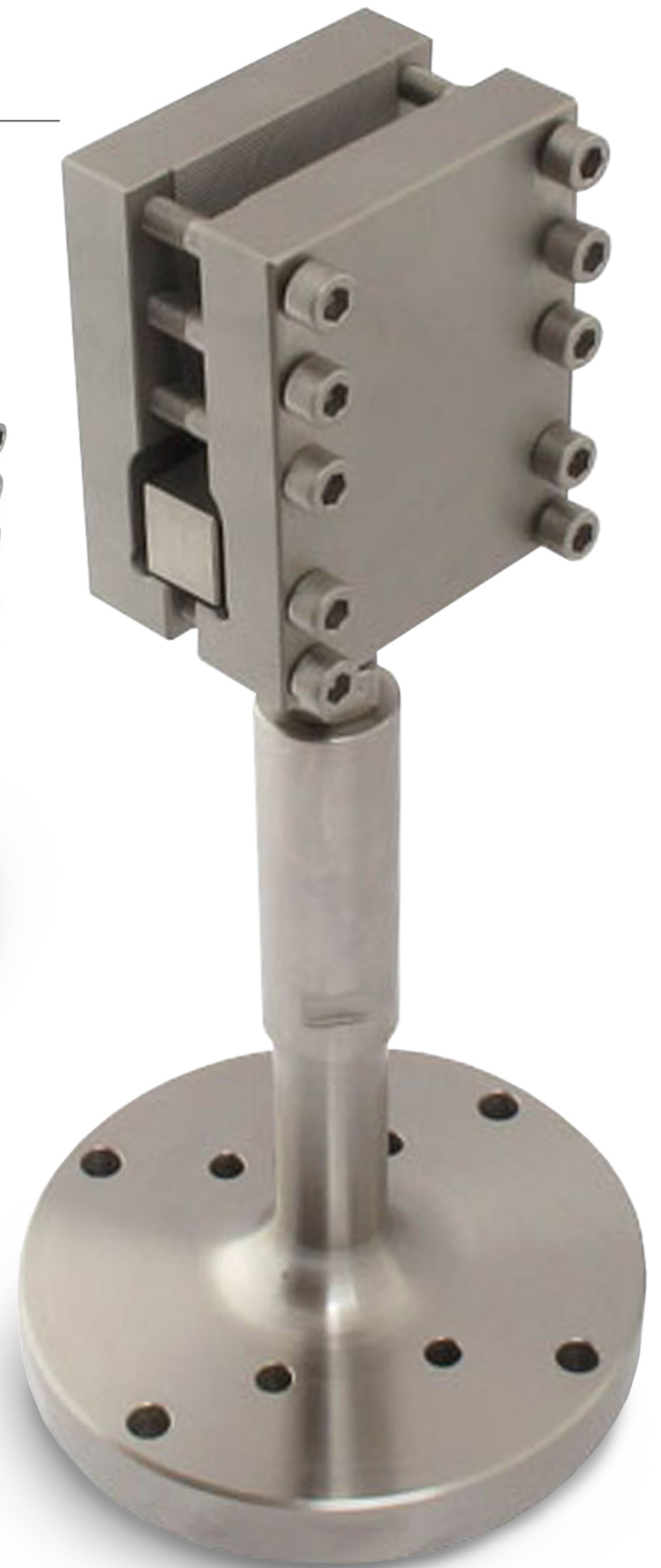
Also suited for temperature chambers.

Available in different sizes.

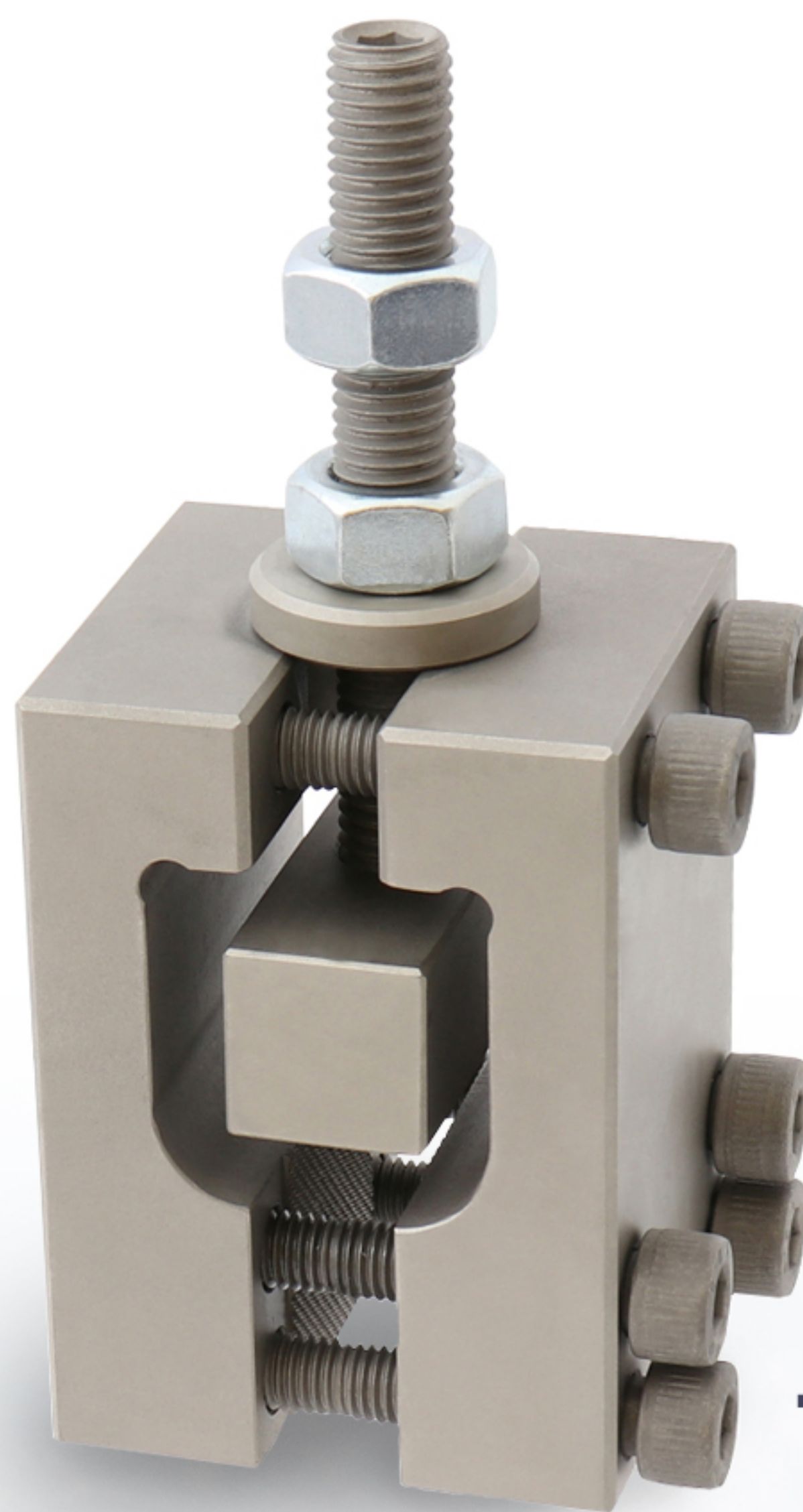


[See datasheet](#)

**THS28-BP100x60**



**THS28-BP50x100**



**THS28-BP30x30**



**THS28-BP40x40**



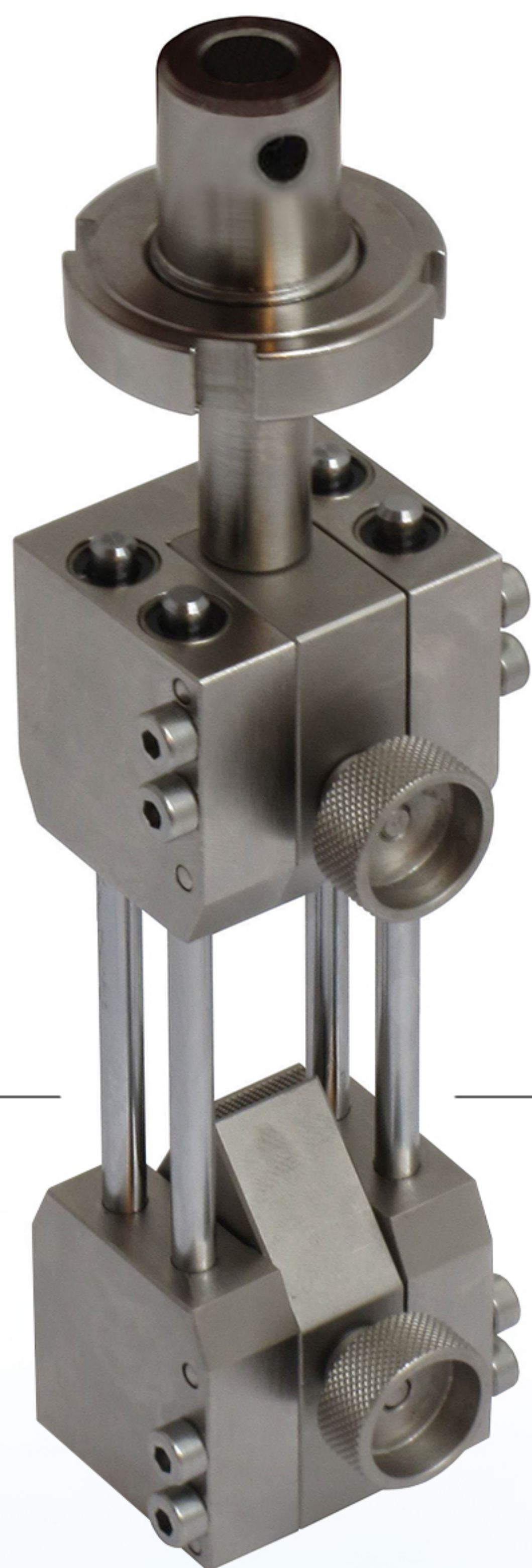
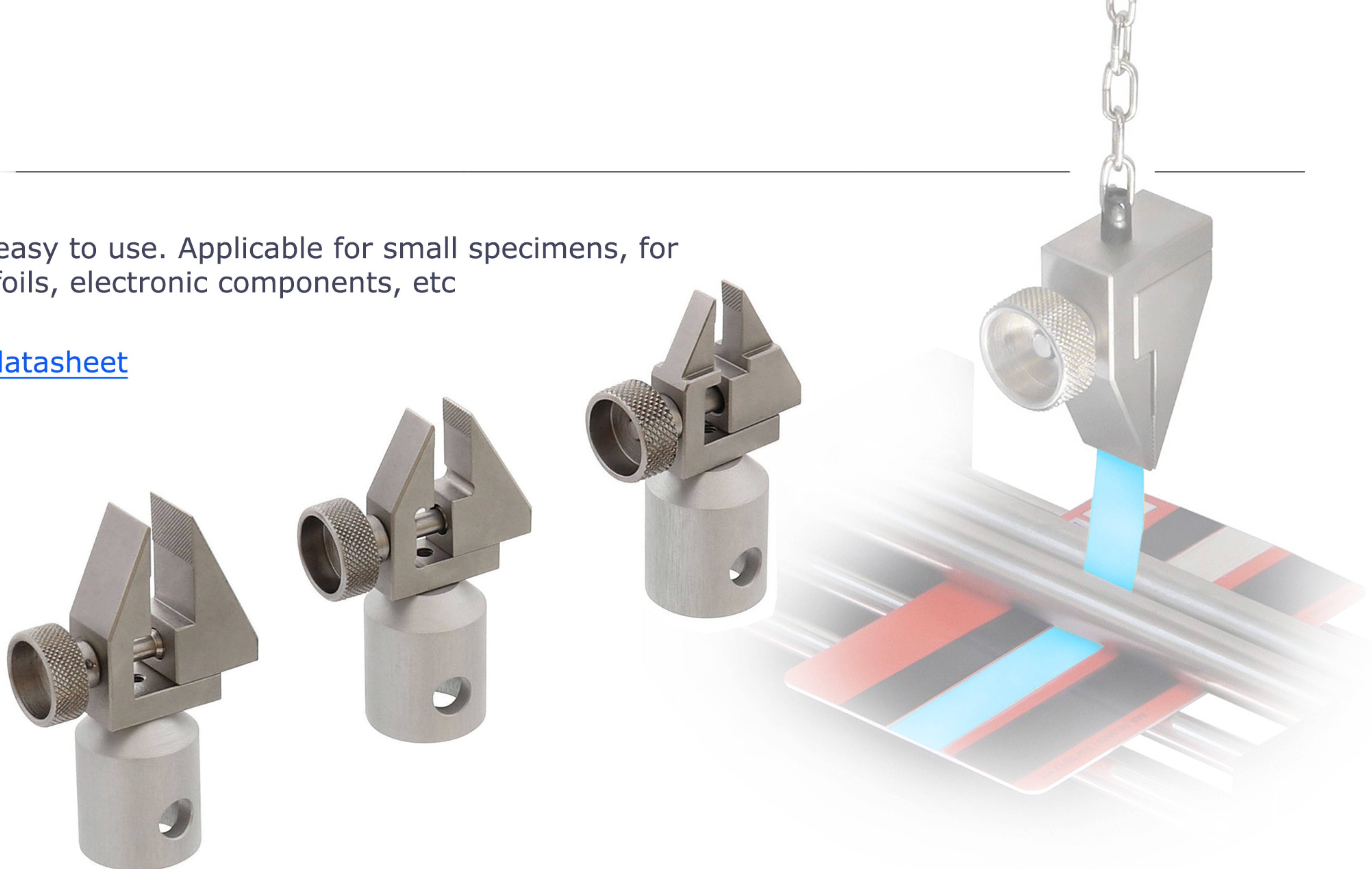


## THS341

Versatile, easy to use. Applicable for small specimens, for example, foils, electronic components, etc



[See datasheet](#)



### THS341-15-M6-2F-Ni-T150

Customized version with a built-in guide  
For dynamic mechanical analysis in a temperature chamber  
Temperature range up to 150 °C

### THS1053-100

Vice grips for dynamic tests, 100 kN,  
Maximum test frequency 50 Hz

For testing polymer composite materials

With pull rod for temperature chambers,  
temperature range -70C...+180C





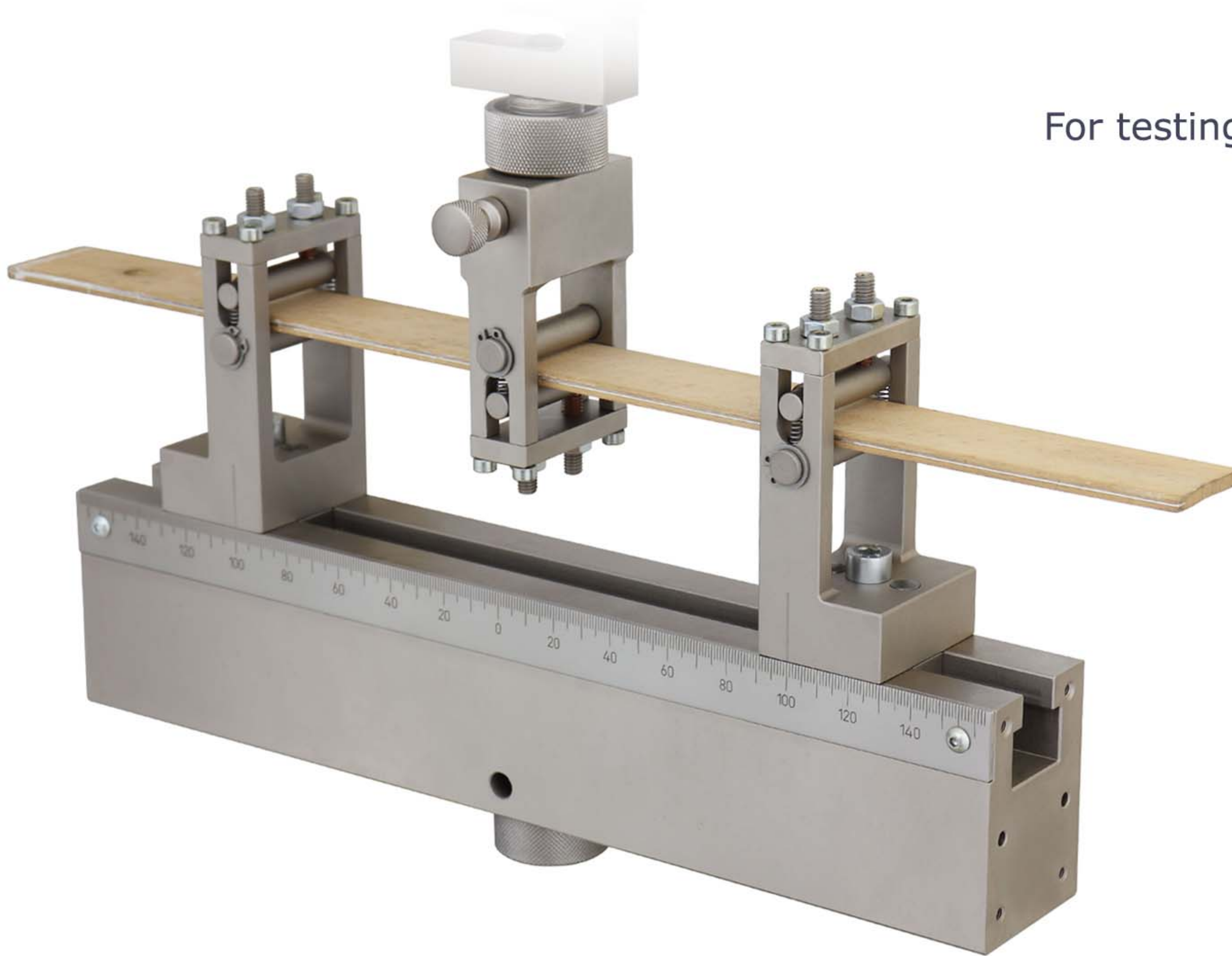
---

## TH103-3p-330-FTE

3-point bending fixture  
For testing flexural fatigue properties of plastics  
Max. load 20 kN

Temperature range 0°C ... +80°C

According to ASTM-D7774

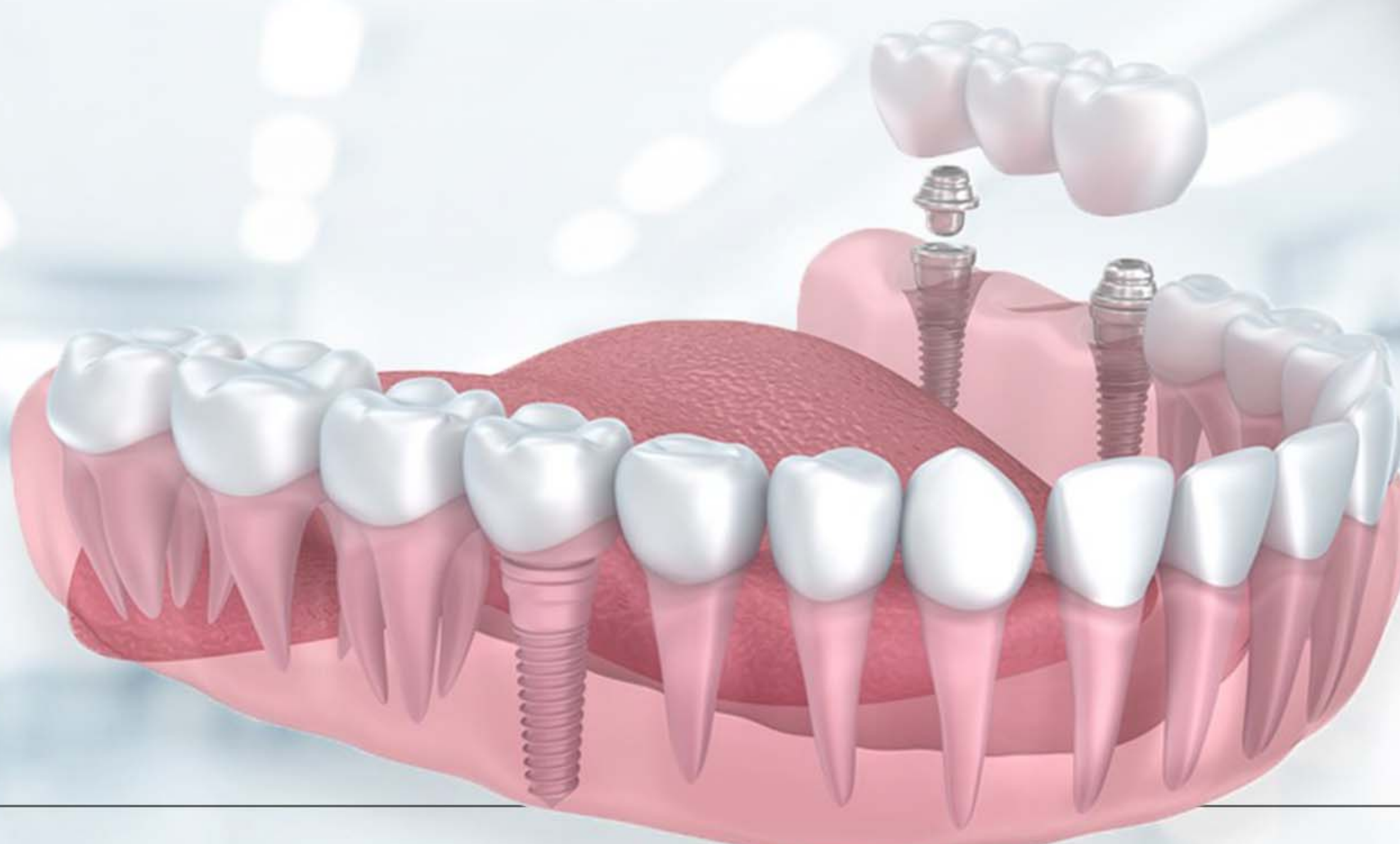


---

## THS543-170

Special fixture for dynamic loading test for  
endosseous dental implants.

According to ISO14801





---

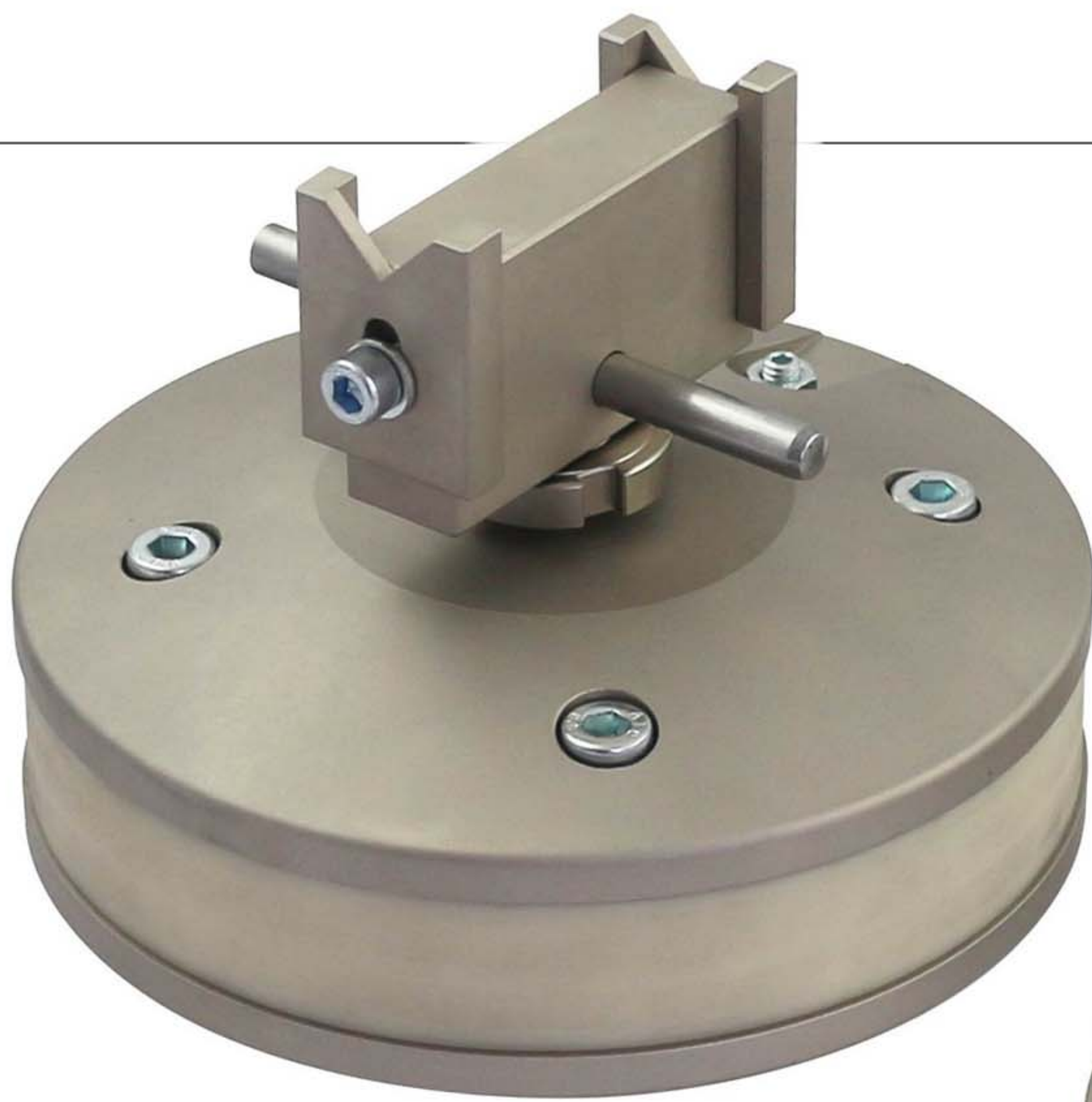
**THS1131-UT75+OFD0.5-Af159  
+ THS1626**

THS1131 dynamic cut-through fixture with THS1626 insulating adapter for use in temperature chamber

Temperature range -40 ... +300°C



[See datasheet](#)



---

**TH135-60**

Hydraulic grip for dynamic tests.

- clamping force : 60 kN 315 bar

- temperature range: 0 °C - +70°C



[See datasheet](#)

