



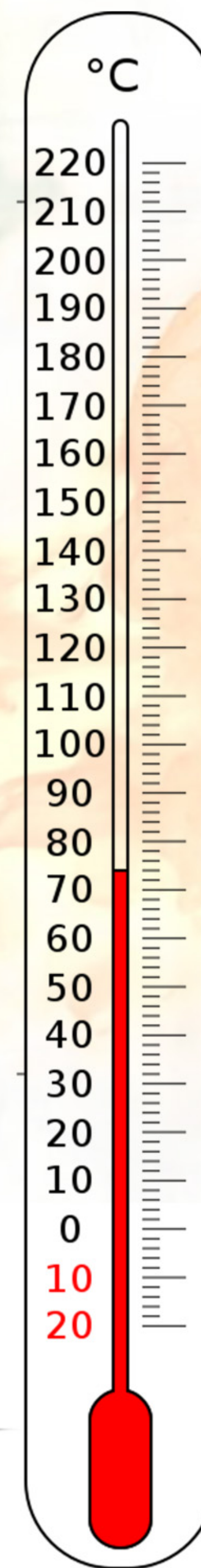
Newsletter

Issue : 2022 - 01
Author : Veena Jay

Part 1 Temperature Chambers

With this newsletter, we would like to introduce our temperature chambers.
We will continue this subject in the following newsletters covering accessories and temperature resistant grips.

Web link : <https://grip.de/G21/>



TH2700 Standard

Temperature range -80°C to +280°C
(optional -180°C to 350°C)

Material - Stainless steel

Front door with glass

Dimensions :
inside 220x220x580mm
Outside : 360x480x766mm

2300 Watt 220 Volt

Window heating

With 50mm V2a/Teflon holes
on top and bottom



[See datasheet](#)

Click to download all Images and Animations of the listed grips



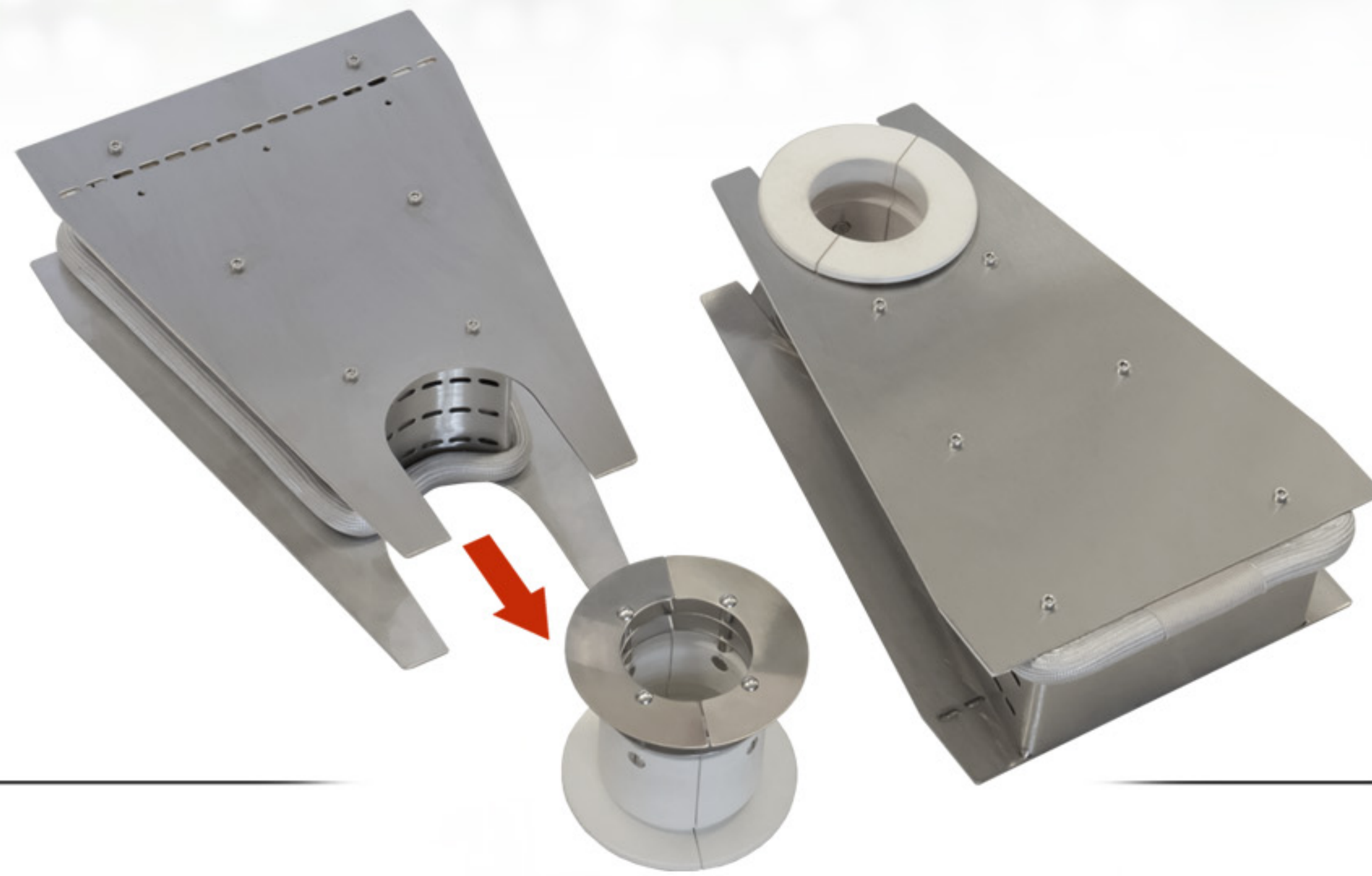
TH2700+Ek+SSR

Esk Removeable wedge ports
SSR special hinge without lateral extension

See datasheet for other modifications.

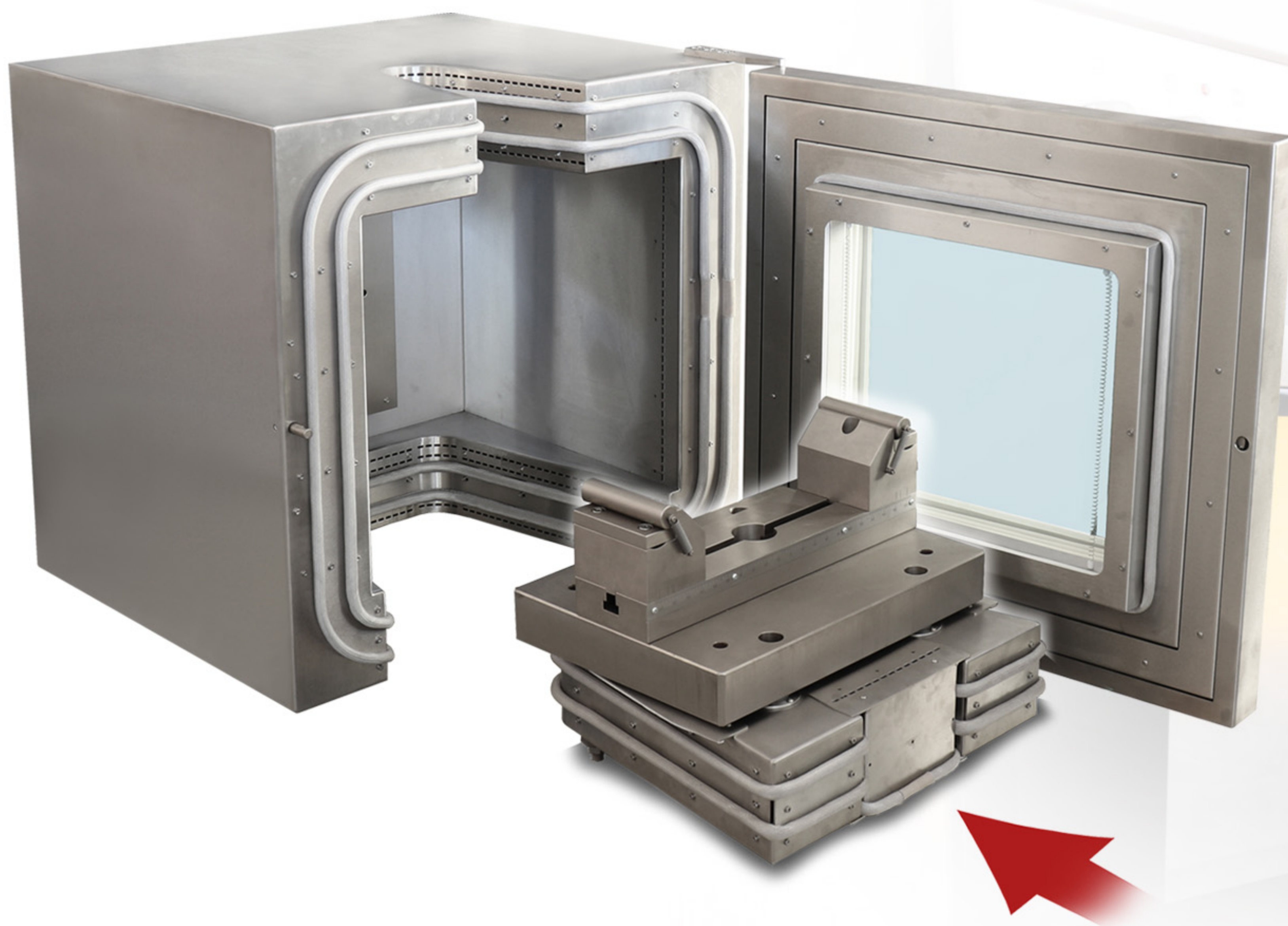


[See datasheet](#)



TH349

Special temperature chamber
with special wedgeports



TK426

Up to -180°C

Direct injection of liquid nitrogen
on to specimen



TK65-M-2



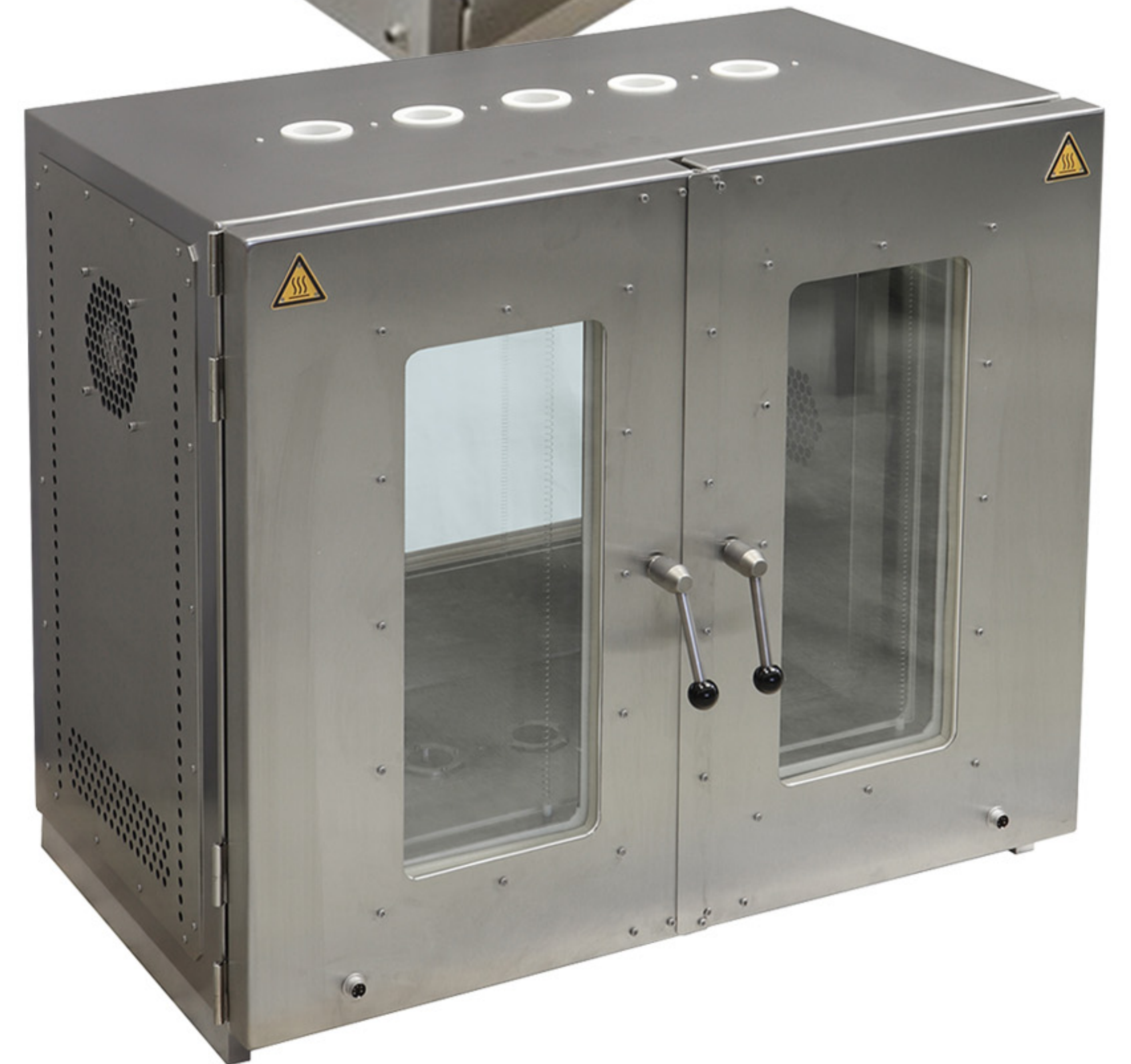
Special temperature chamber with double wing door

Temperature range -40°C to +250°C

V2A stainless steel
Dimensions 330 x 525 x 520mm

Nitrogen valve for cooling
Front and rear window heating

TK192-4



TK409

temperature chamber for
external air cooler



TK389

Special temperature chamber

Dimensions 210x230x480mm

Temperature range -180°C to 500°C



TK62-4

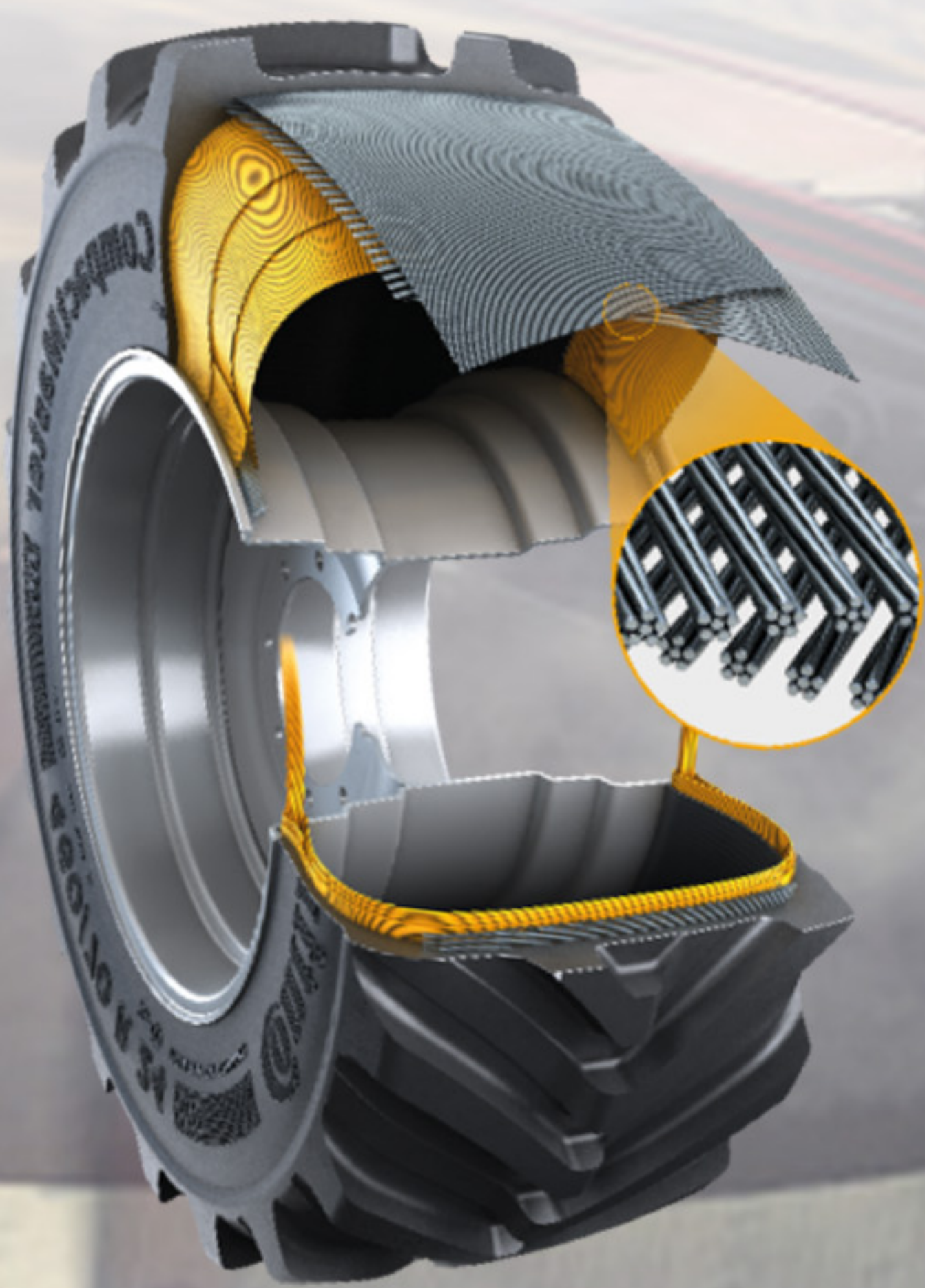
Glass windows on all 4 sides without technology

TK395

Special temperature chamber

Temperature range -150°C to +350°C

Dimensions 250x250x580mm



TK456-LHS

Special temperature chamber

With slot on the side for long-travel extensometer



TK293 SF45

Special temperature chamber

With side window on left rear.
(at a 45° angle)



TK25-LHB-FK

Special temperature chamber

With slot in the back wall for
long-travel extensometer

