

Newsletter

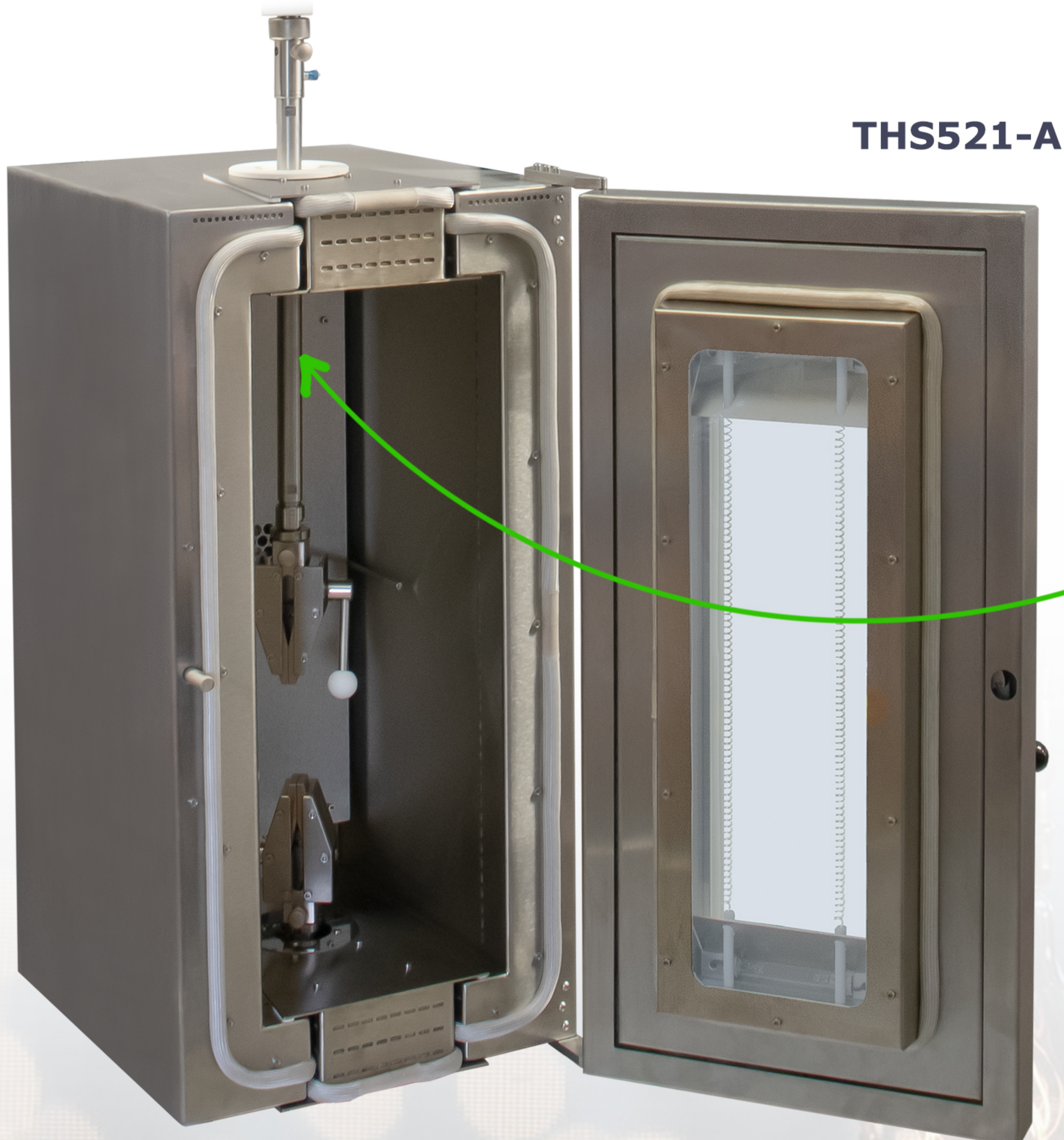
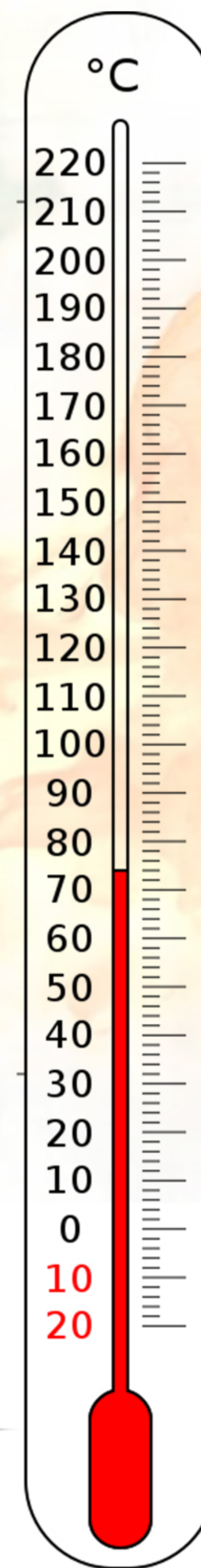
Issue : 2022 - 03
Author : Veena Jay

Part 2 Accessories for temperature chambers

We shared a range of our temperature chambers in our last newsletter. (part 1).

In this newsletter we assembled a few of our accessories used for temperature chambers.

Check web link for more information : <https://grip.de/G21/>



THS521-Am158-Af159-D21-L220-psd

We carry a range of THS521 pull rods in different lengths and for different functions.



[See datasheet](#)



[Click to download all images and animations of the listed grips](#)



Examples of pull rods. Measurements can be customized on customer request.



**THS521-158-159-L200 D21
+ TH94 (only for demonstration)**

For pneumatic grips.

Coupling: male 158mm,
female 159mm

Length: 200mm
Diameter: 21mm
force: 20kN

THS521-L200 + THS521-L300
Demonstration with special coupling.



THS521-Am158-Af159-D21-Lxxx

Coupling: male 158mm
female 159mm

Optional length
Diameter: 21mm
force: 20kN



THS1130-Am3618-L488-8.5TK70

Long flange adapter
Length: 488mm

Coupling: Male 36/18mm

TH187-40-Am40-L180

Coupling: Male 40mm
Female 40mm

Length: 180mm



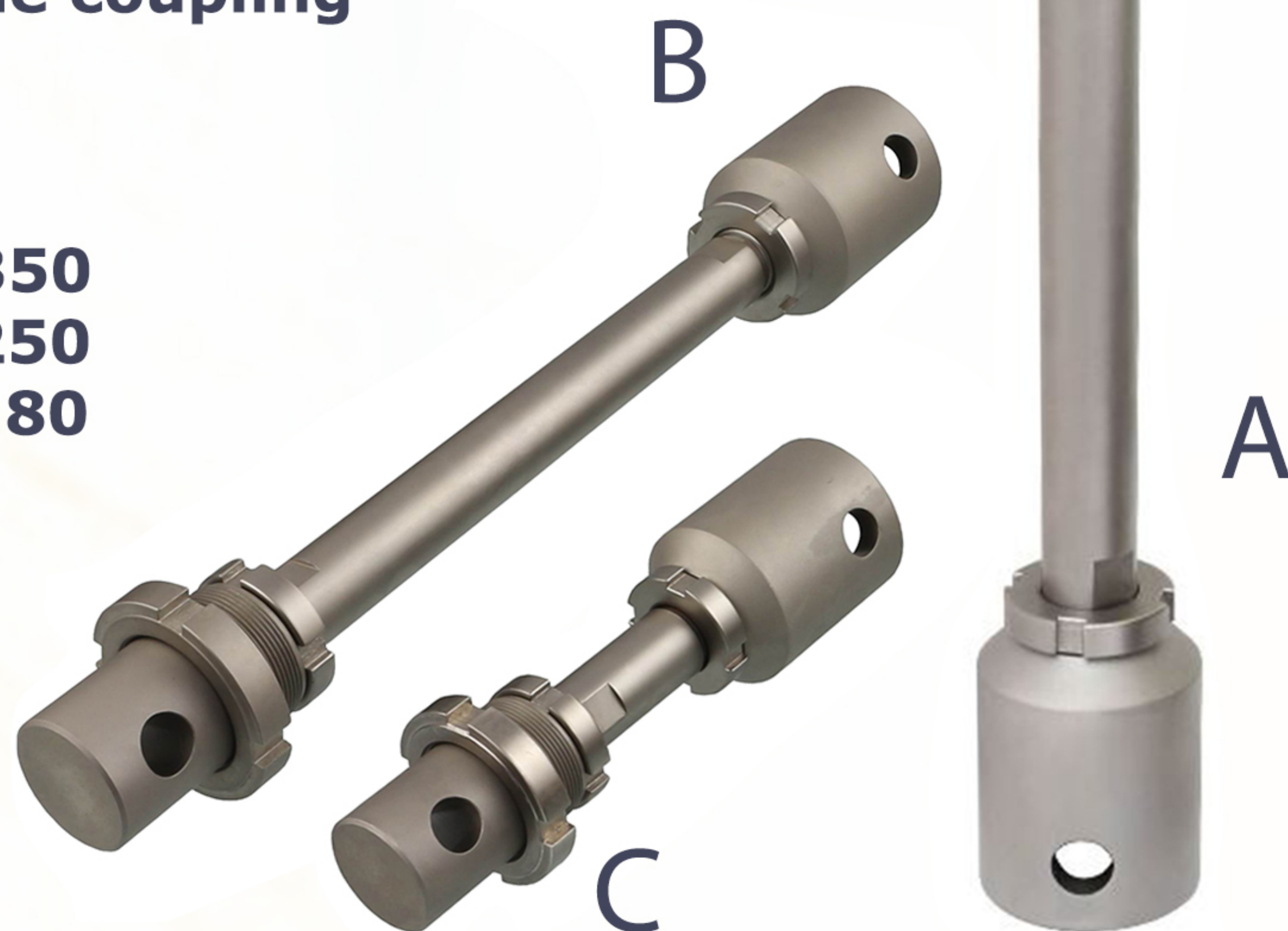
THS521- Male to female coupling

Demonstrated options

A - THS521-40-D25-L350

B - THS521-40-D25-L250

C - THS521-40-D25-L180





TH2700 box with plugs

Temperature control box with plugs.

OTHER PARTS

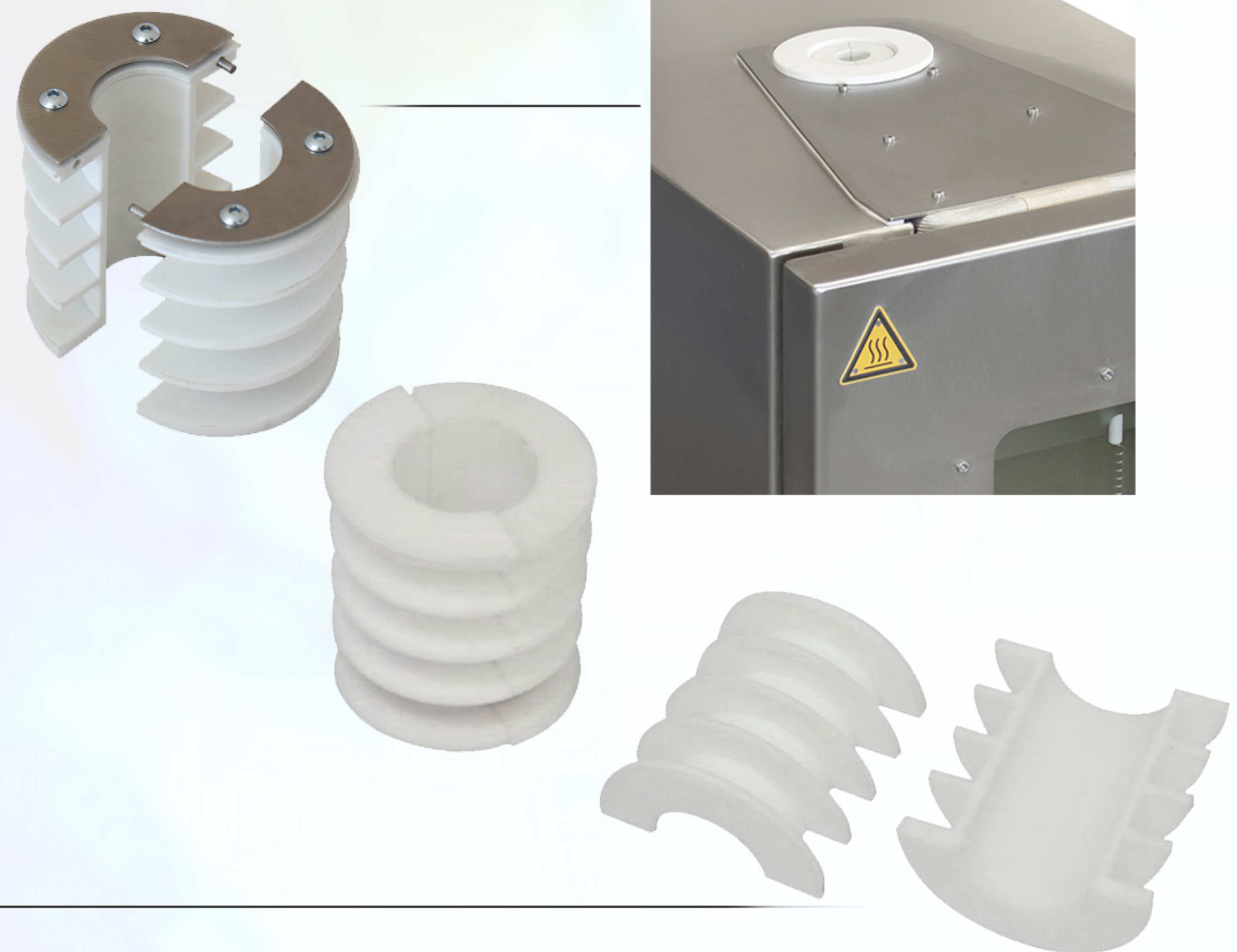


TKw-74

Corrugated pipe made of stainless steel 1.4404 (V4A)
DN12 pre-assembled with screwed connections.

3m long diameter with isolation.

50mm 1x Reduction from G1/2" to M14x1.5
for our chamber for fluid air.



TK2-61-50

Teflon reduction for temperature chambers.



THS521-M3-Pk2

For pneumatic connection.
Fitting + Teflon tube + metal tube