



grip-engineering Newsletter

Issue : 2024 - 01

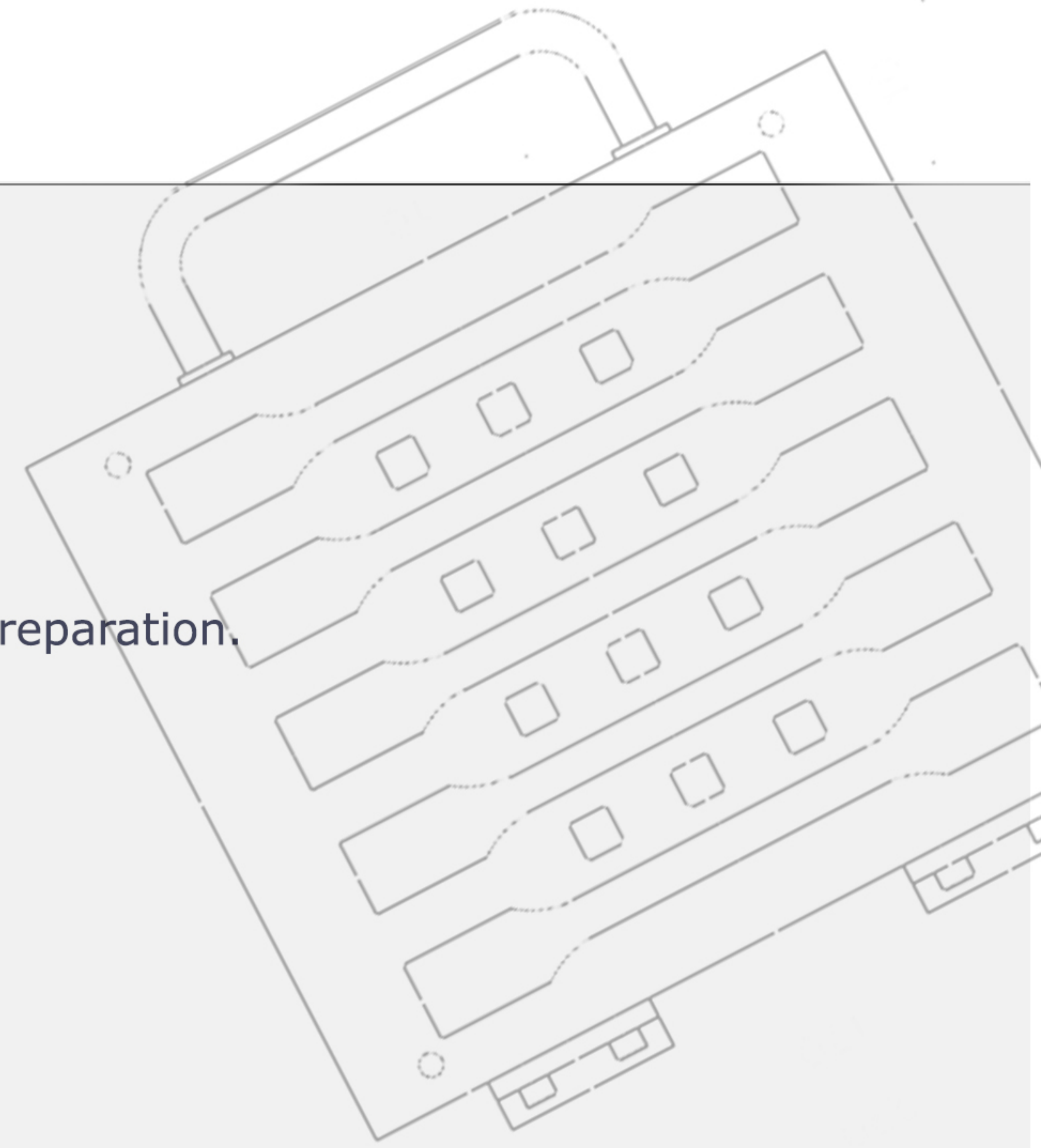
Author : Veena Jay

Molds

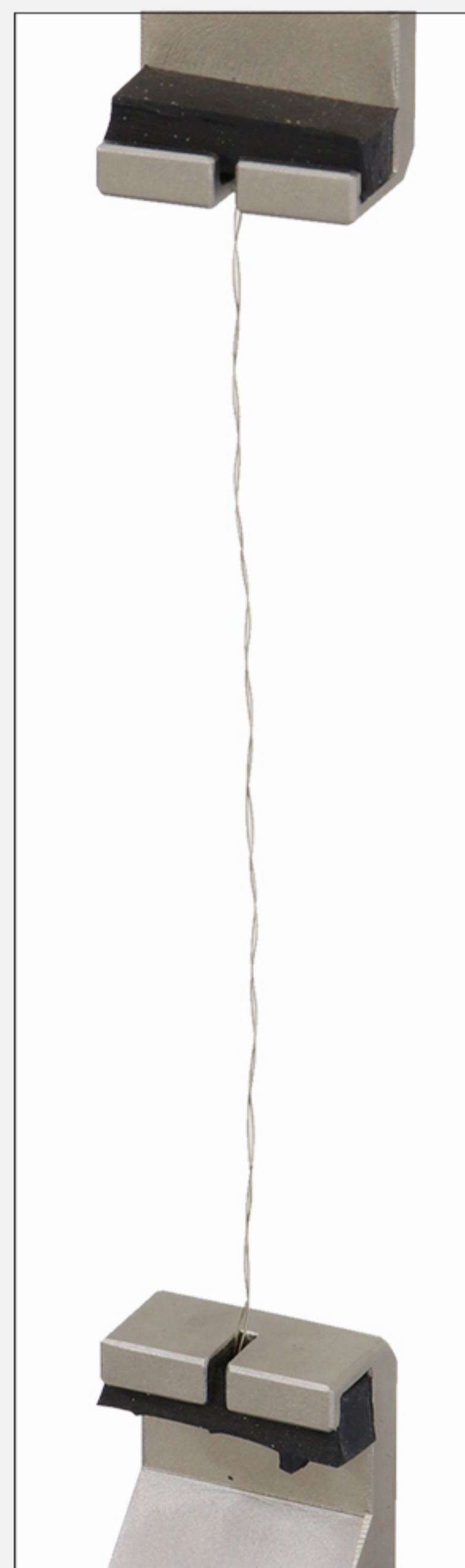
Let us introduce a few of our molds. These are used for sample preparation.

To view the whole collection please see our datasheet-
https://www.grip.de/pdf/THS1390_Datasheet.pdf

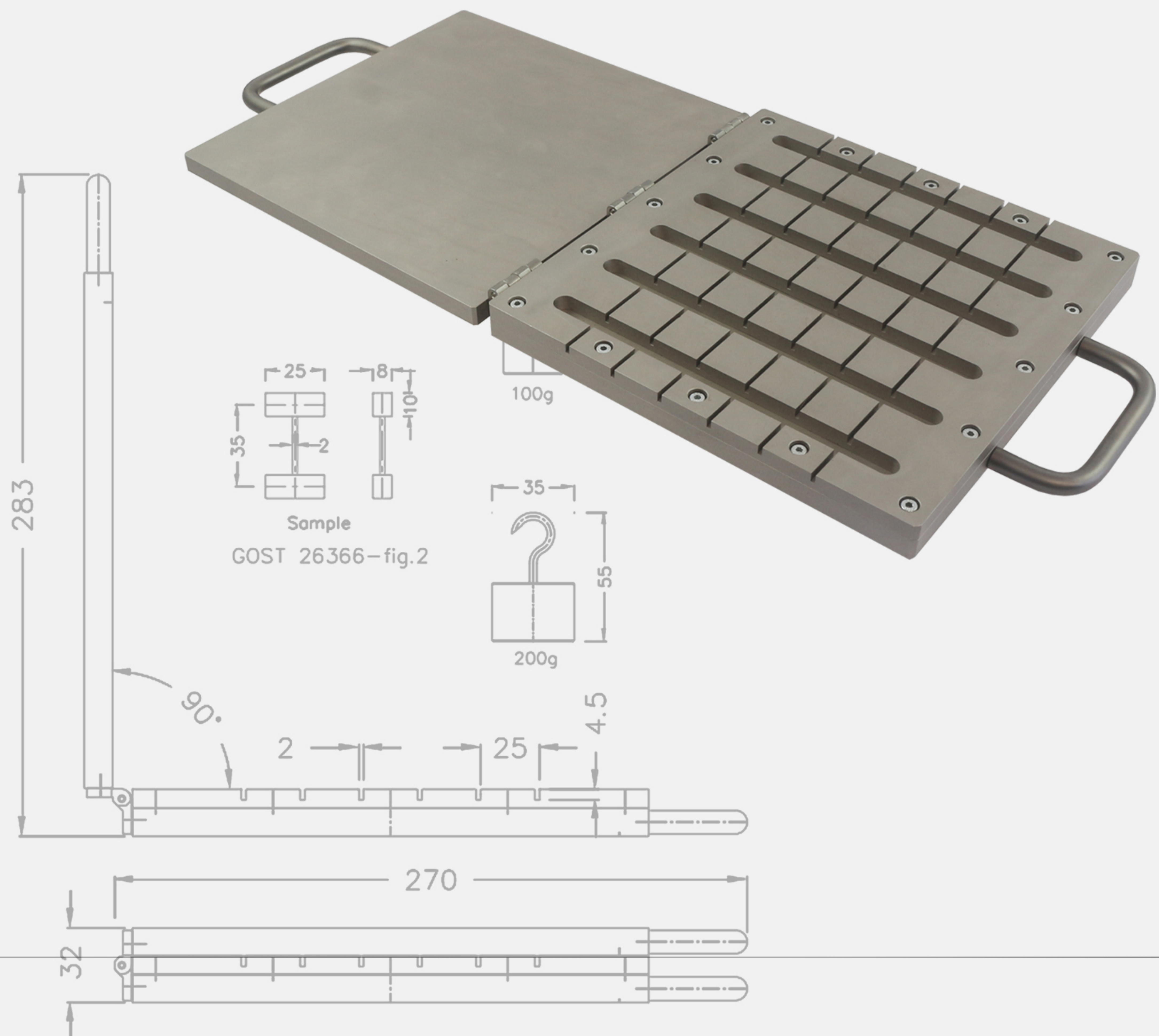
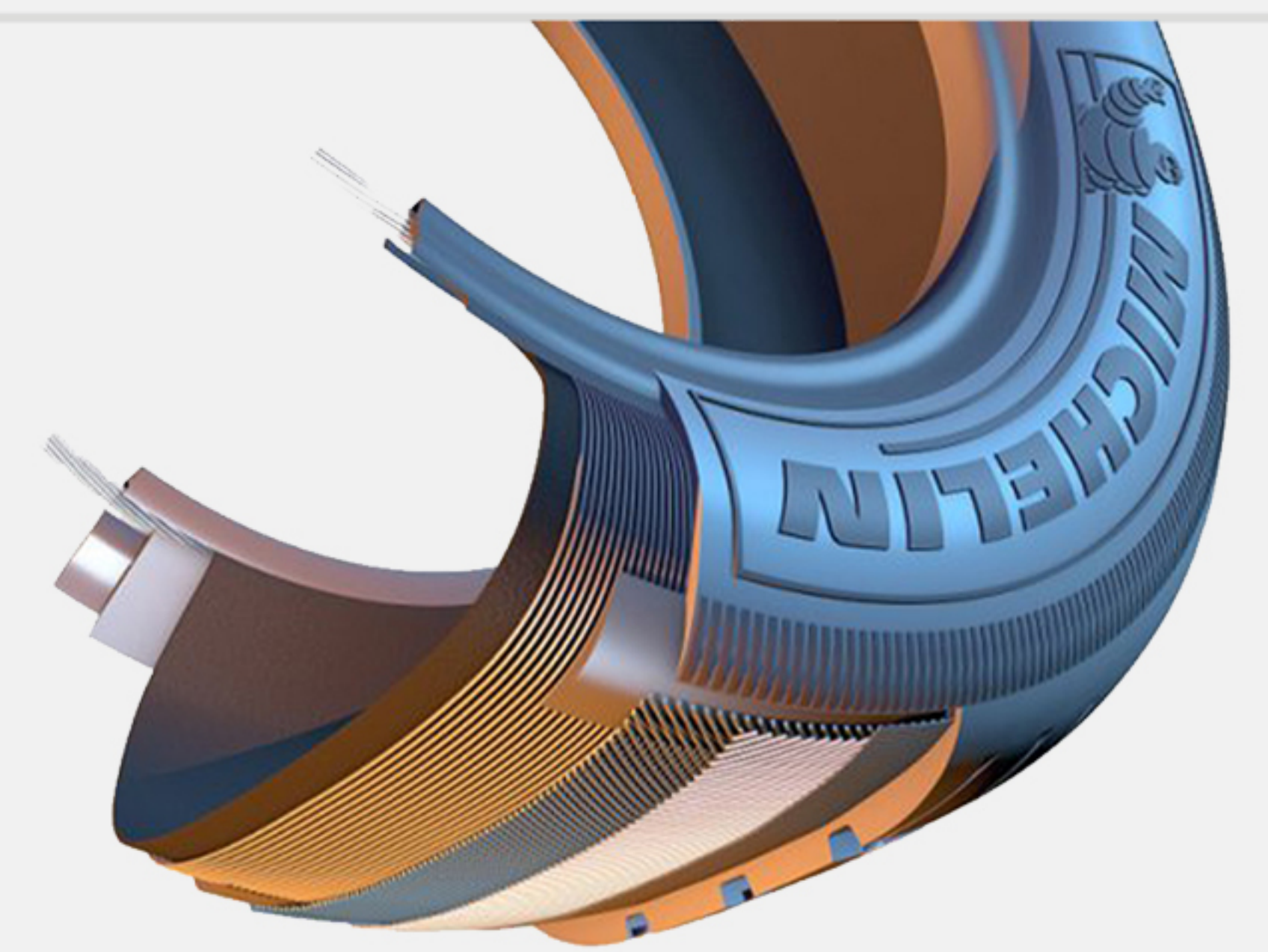
Website -
<https://www.grip.de/G25/THS1390-Mold/>



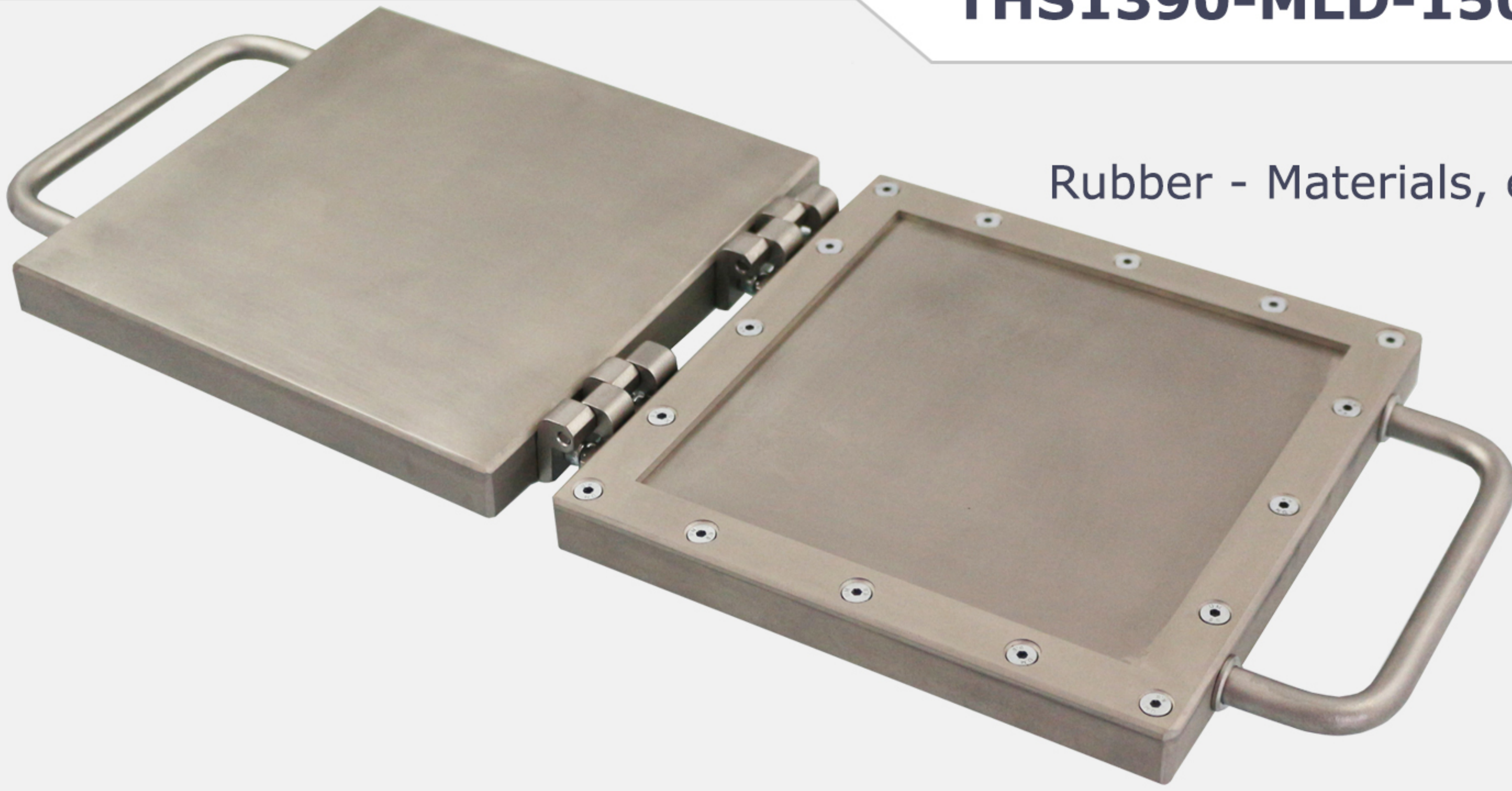
THS1390-MLD-2x25-GOST26366-Fig.2 + THS1390-MLD-100g+200g



GOST26366-Fig.2
Brass-plated steel wire for bead rings of
tyres. specifications.



THS1390-MLD-150x150x2.5



ASTM-D3182

Rubber - Materials, equipment, and procedures for mixing standard compounds and preparing standard vulcanized sheets.

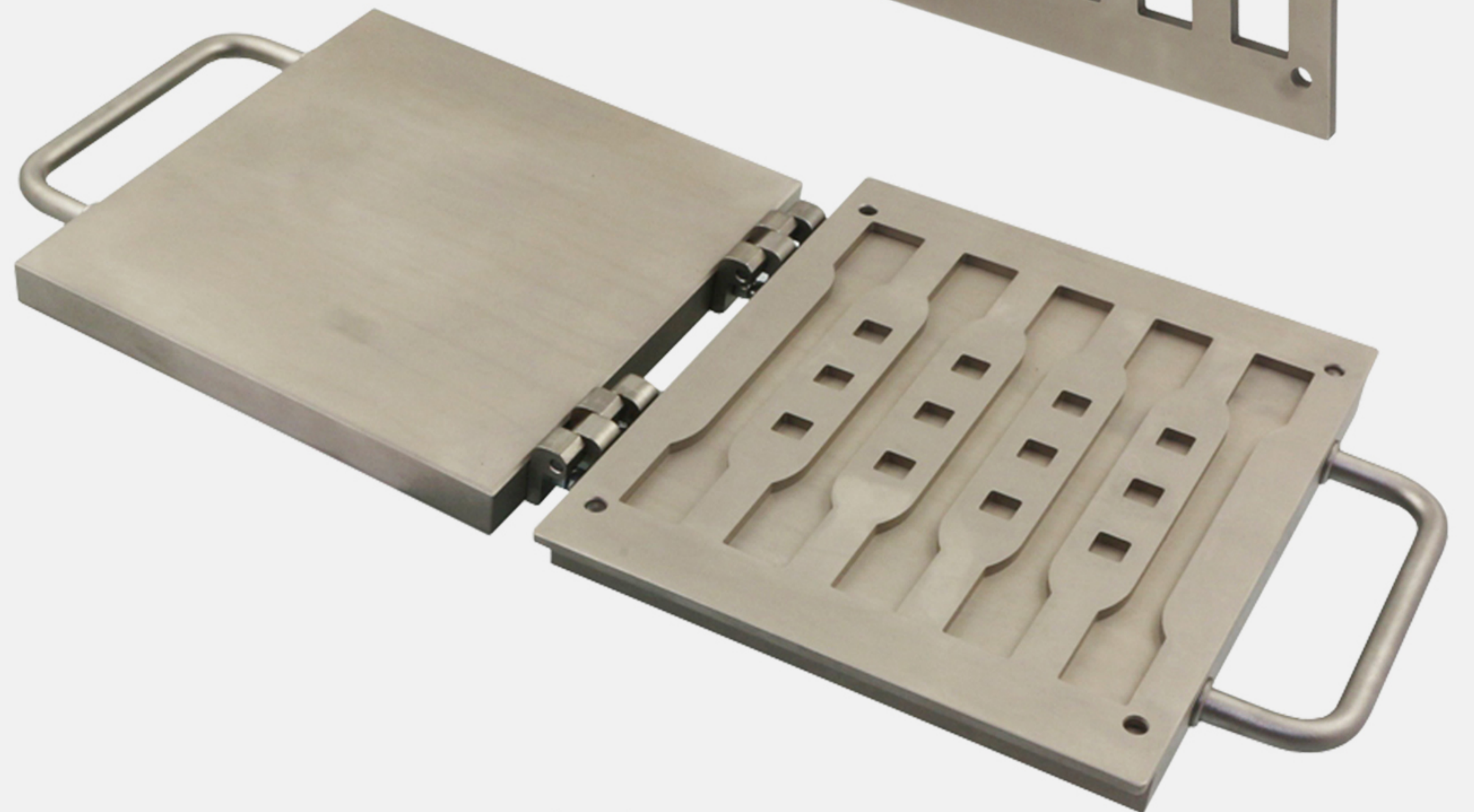
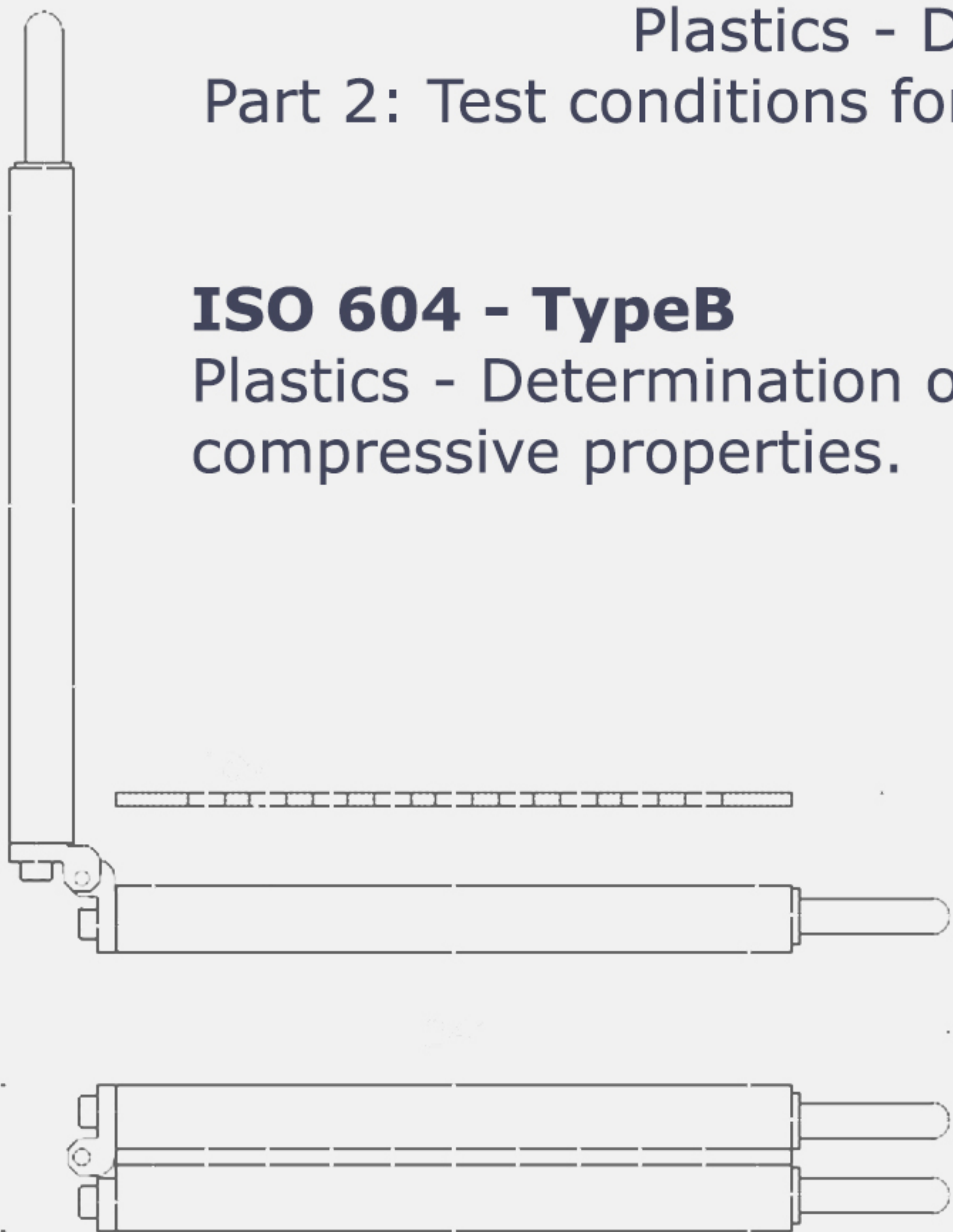
THS1390-MLD-10x80

ISO-527-2 - Type1A

Plastics - Determination of tensile properties
Part 2: Test conditions for moulding and extrusion plastics.

ISO 604 - TypeB

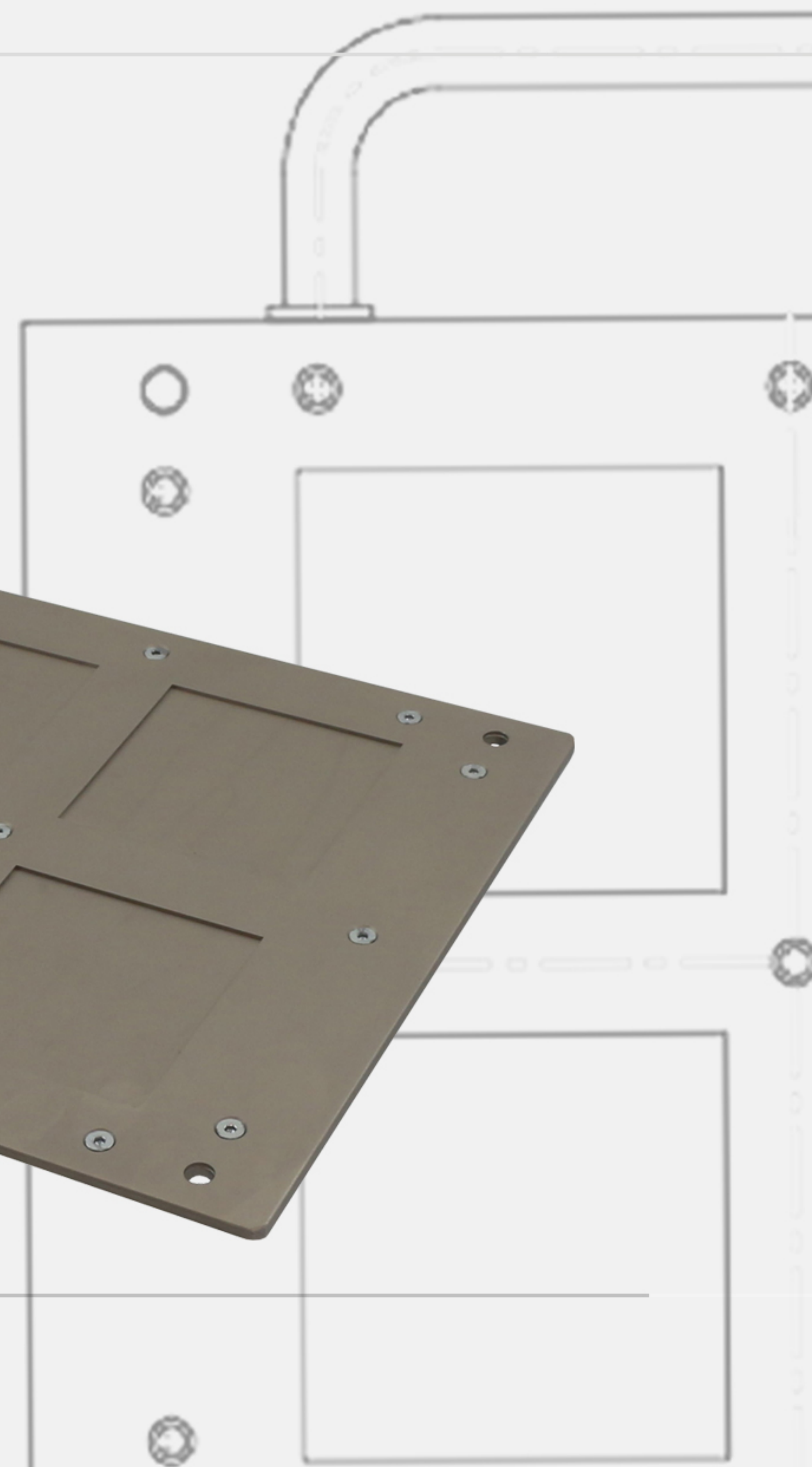
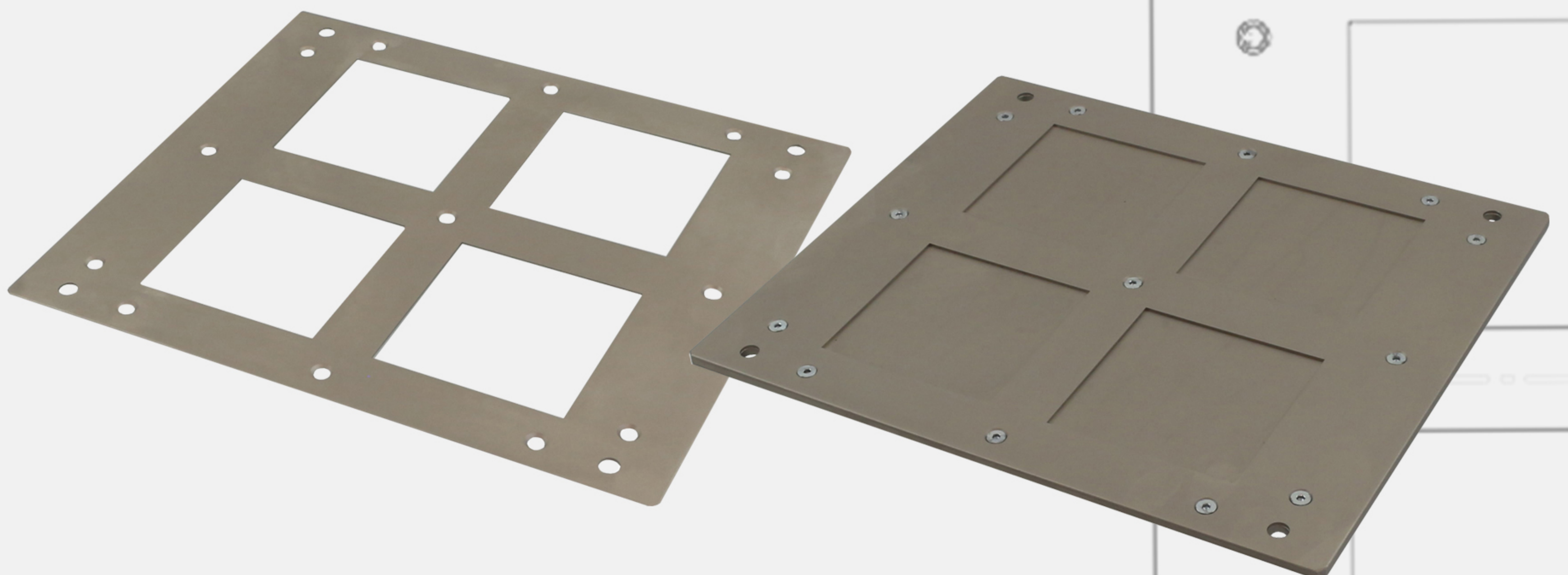
Plastics - Determination of compressive properties.



THS1390-MLD-61x61x1

ISO62

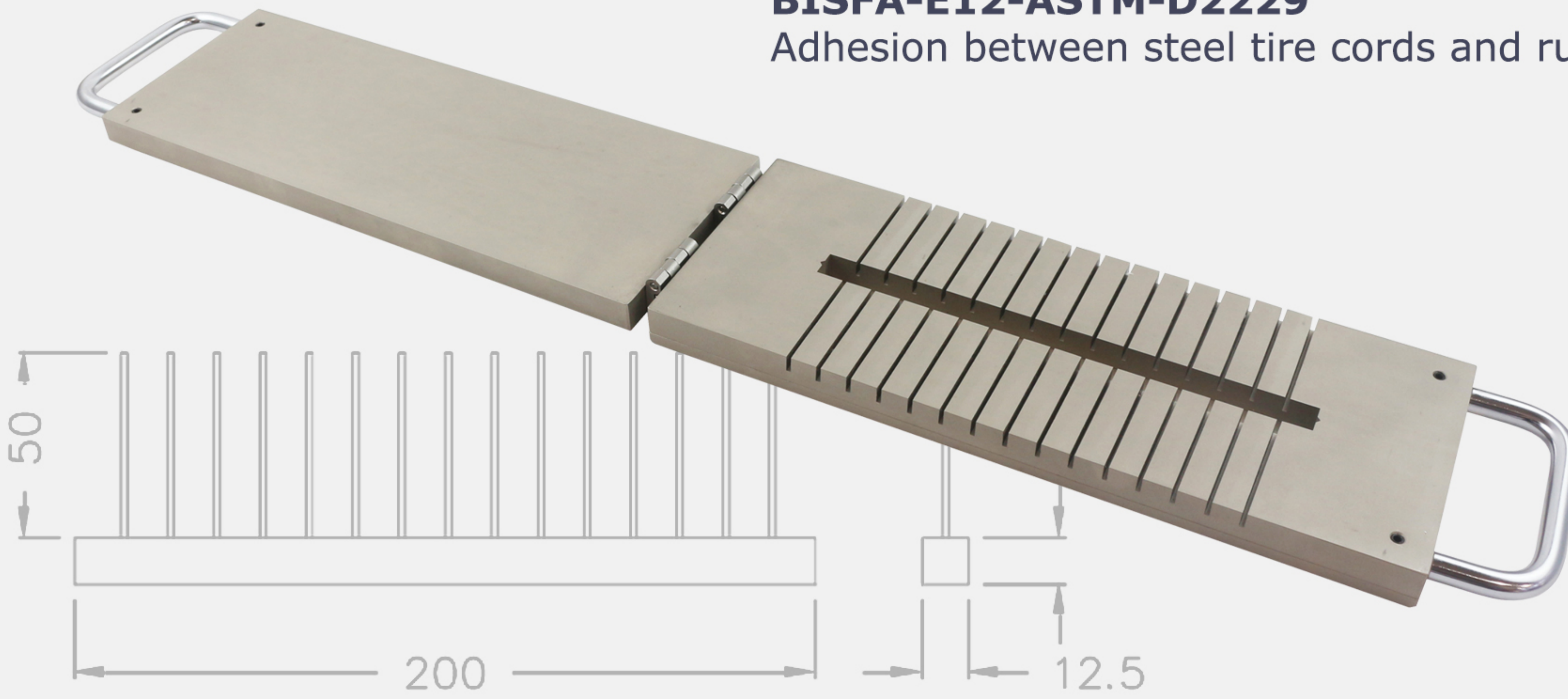
Plastics — Determination of water absorption.



THS1390-MLD-200x12.5-

BISFA-E12-ASTM-D2229

Adhesion between steel tire cords and rubber.



THS1390-MLD-212x12.5

GOST26366-Fig.4

Brass-plated steel wire for bead rings of tyres specifications.



[Click here, to download all images and animations of the listed grips](#)

