



March 2026

This month, we are pleased to present a selected range of our latest testing fixtures, designed to meet the highest standards of precision, reliability, and performance in modern testing applications.



THS472g-SV21-BVG12 + THS42-R0.3V15-60 + TH231-4

Fixture set to test closures of medical infusion bottles according to **ISO8536-2**. Torque testing holder with BV jaws covered with rubber for holding infusion bottles \varnothing 12-30 mm. The spike is used to pierce the closure of infusion bottle and the hook is used to hook up a weight after the piercing.

DATASHEET

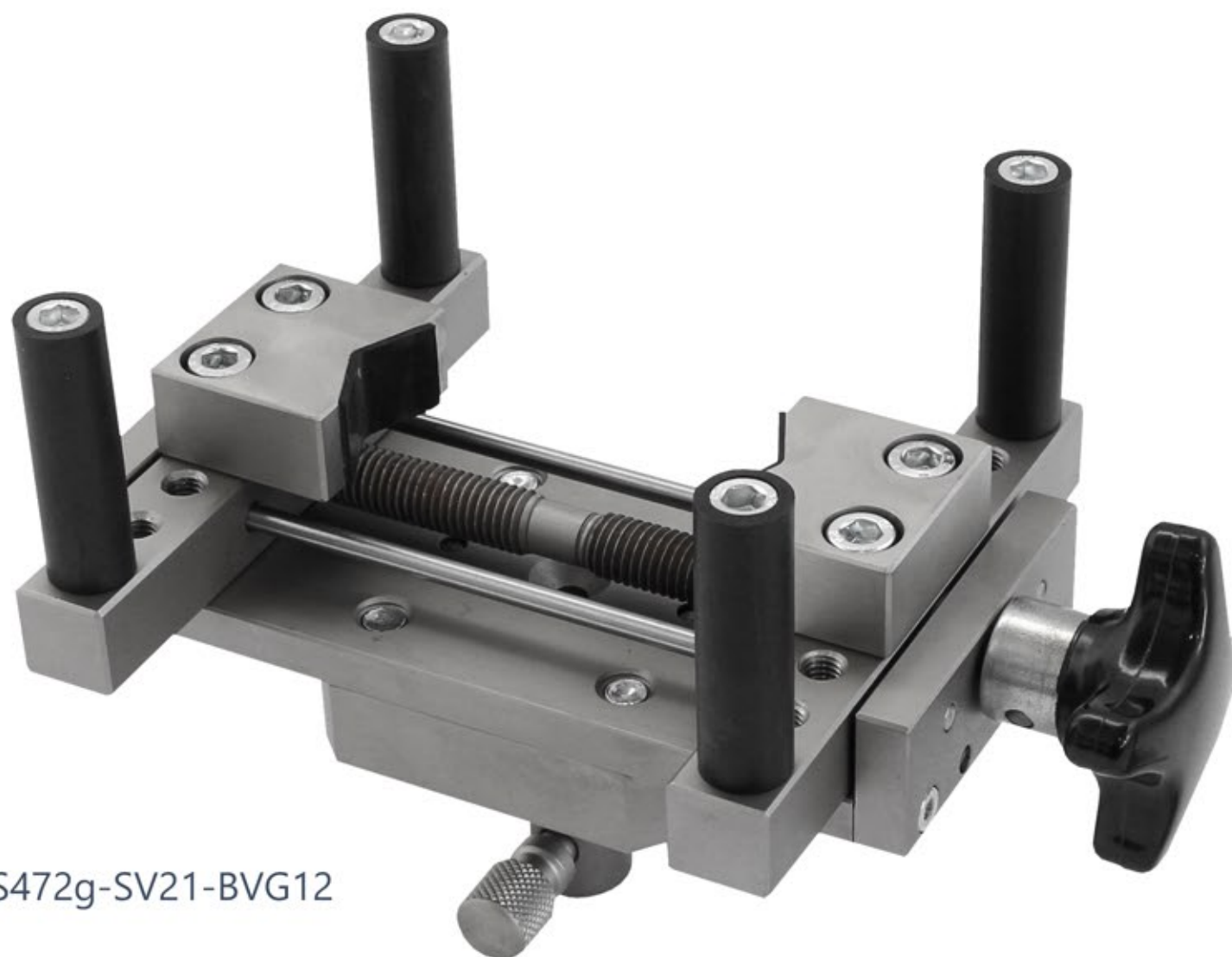
TH231-4



THS42-R0.3V15-60



THS472g-SV21-BVG12



THS727-100

Special syringe holder for tension and compression tests.

DATASHEET



THS1859

Luer cone breakage resistance test fixture according to [ISO11040-4 Annex C.2](#) Incl. Teflon inserts to test syringes of different diameters and Makrolon box.

