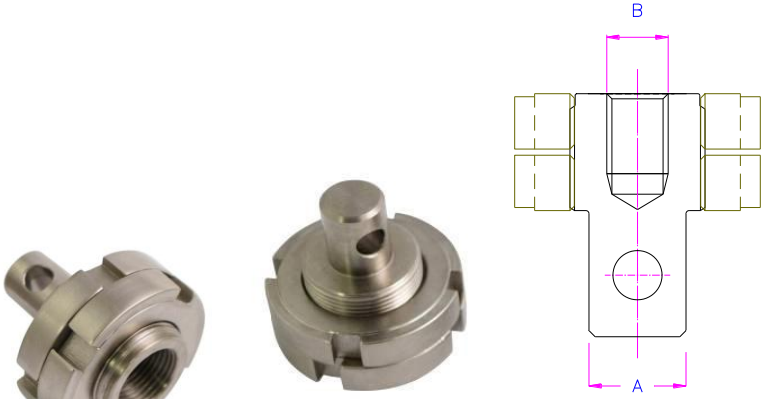
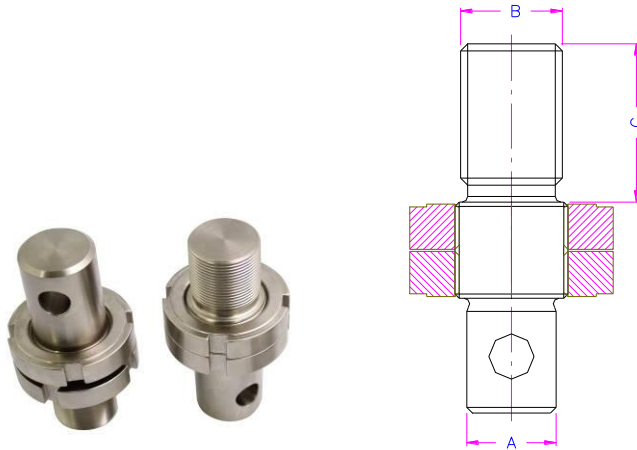

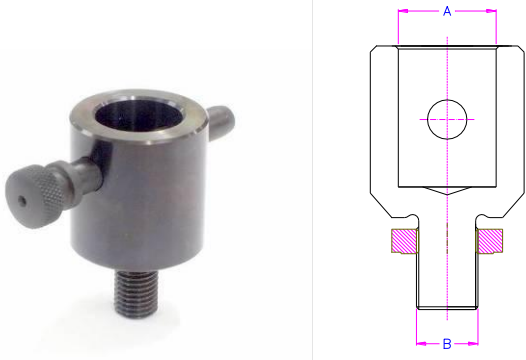
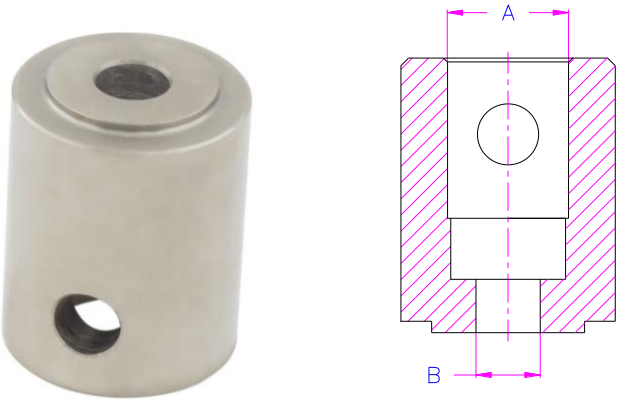
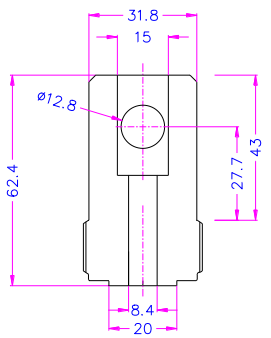


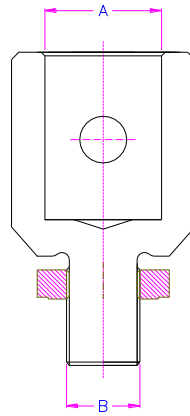
G17 Adapter	Grip-Engineering
 	<p>TH187-A-B</p> <p>A= male B= female</p> <p><- TH187-158-20 Zapfen 15.8mm Ø Adapterbohrung 20mm Ø</p> <p>www.grip.de/G17/TH187</p>
 	<p>TH187-A-M-B</p> <p>A= male pin thread with nut to counter B= female hole</p> <p>Zapfen – Außengewinde zum Verspannen - Adapterbohrung</p> <p>www.grip.de/G17/TH187</p>
	<p>THS220-A-B</p> <p>A= male pin B= female thread</p> <p><- THS220-158-M5</p> <p>(less in stock - use THS438 if possible)</p> <p>www.grip.de/G17/THS220</p>

 <p style="text-align: center;">THS438-A-B</p>	<p>THS438-A-B</p> <p>A= male pin thread with nut to counter B= female thread</p> <p>www.grip.de/G17/THS438</p>
 <p style="text-align: center;">THS464-A-B-C</p>	<p>THS464-A-B-C</p> <p>A= male pin thread with nut to counter B= female thread C= length of thread -optional</p> <p>www.grip.de/G17/THS464</p>
	<p>THS486-A-B</p> <p>A= female Adapter B= female thread</p> <p>www.grip.de/G17/THS486</p>

	<p>THS892-A-B</p> <p>A= female adapter hole</p> <p>B= male thread</p> <p>www.grip.de/G17/THS892</p>
	<p>THS637-A-B</p> <p>A = female Adapter</p> <p>B= hole for hex socket srew</p> <p>DIN912</p> <p>www.grip.de/G17/THS637</p>
 <p>THS636-317-Km8</p>	<p>THS636-317-Km8</p> <p>male adapter with nut - counterbored hole for screws</p> <p>Zapfen mit Verspanngewinde - Kopfsenkung für Schraube DIN912</p> <p>www.grip.de/G17/THS636</p>

	<p>THS626-A-B</p> <p>A= male adapter with nut - B= male adapter with nut</p> <p>Scope of delivery :</p> <p>1 Adapter + 2 nuts + 2 pins</p> <p>Zapfen mit Verspanngewinde - Zapfen mit Verspanngewinde Incl 2 Muttern + 2 Pins</p> <p>www.grip.de/G17/THS626</p>
	<p>THS531-3014-318</p> <p>part with 2 female adapter holes</p> <p>A= female Adaptor B= female Adaptor</p> <p>www.grip.de/G17/THS531</p>
	<p>THS658-M30x2-M16x2</p> <p>Male thread- female thread</p> <p>Außengewinde M30x2 - Innengewinde M16x2</p> <p>www.grip.de/G17/THS658</p>

	<p>THS814-A-B</p> <p>A= Small male thread B= big male thread</p> <p>A= Kleines Außengewinde B= großes Außengewinde</p> <p>www.grip.de/G17/THS814</p> <p><- THS814-M12.1.75-M16x1</p>
	<p>THS646-36-40x8</p> <p>female adapter –flange with holes or threads</p> <p>Adapterbohrung - Flansch mit Bohrungen oder Gewinde</p> <p>www.grip.de/G17/THS646</p>
	<p>THS628-317-40x8</p> <p>male adapter –flange with holes or threads</p> <p>Zapfen - Flansch mit Bohrungen oder Gewinde</p> <p>www.grip.de/G17/THS628</p>

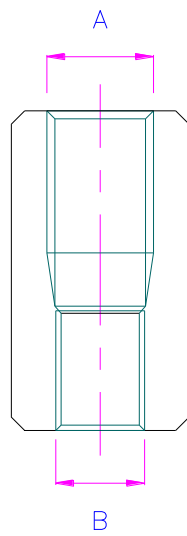


THS892-A-B

A= female Adapter
B= male thread

A= Bohrung
B= Außengewinde

For small threads we take
THS486 and add a hex
socket screw with 2 nuts

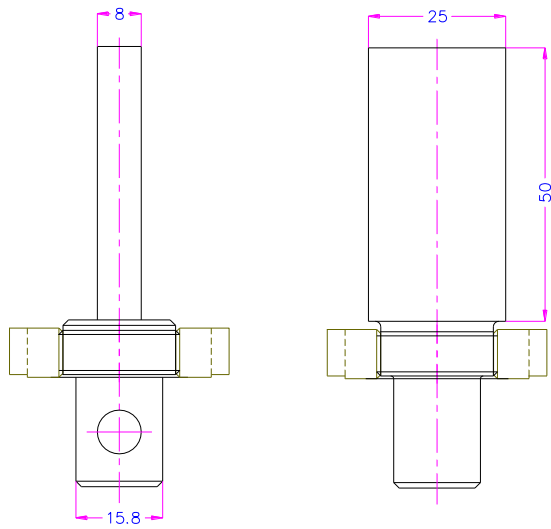


THS950-A-B

THS950-A-B

female thread – female
thread

Innengewinde -
Innengewinde



THS988-Am158-8x25



THS988 –Am158-8x25

Adapter – keeping area for wedge grip

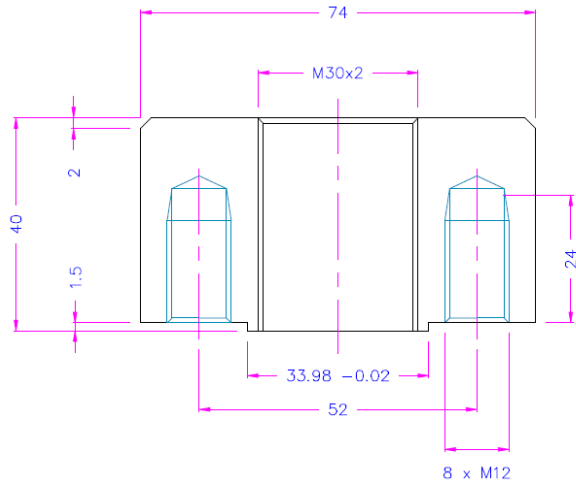
Adapter - Flachsegment für Keilspannzeug

to keep a smaller grip in a bigger grip

um ein nachfolgendes Spannzeug in einem großen hydraulischen Spannkopf zu halten

THS988-AM50-D30x80

THS978
Male thread flange



THS624-M30x2-8xM12-TK52

THS624

Flange female thread

Sonderadapter



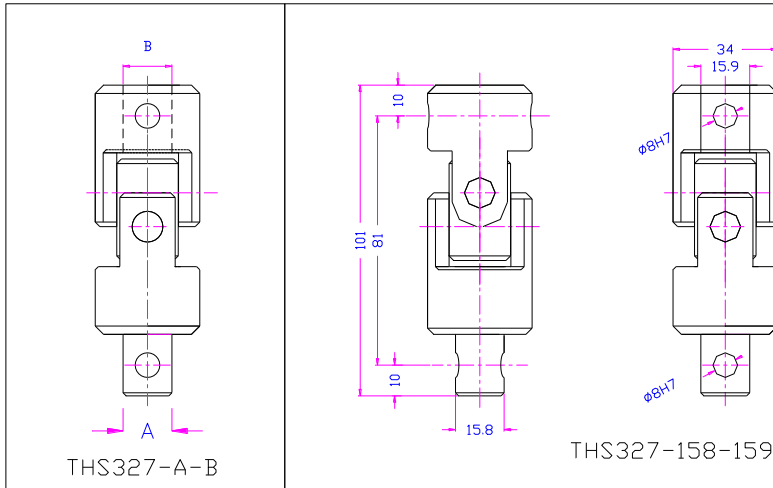
THS327-158-159

Kardan

Male - female

Zapfen – Bohrung

www.grip.de/G17/THS317



THS317-158-159

turnable Adapter with ball bearings

Drehadapter mit Axialkugellager

Zapfen 15.8 mm

Bohrung 15.9 mm

www.grip.de/G17/THS317

	<p>THS665-158-159-L500</p> <p>Chain-Adapter Male 15.8 Female 15.9 Length 500mm</p> <p>Kettenadapter</p> <p>20kN</p>
	<p>THS572-45-158-159</p> <p>Angel adjustable adapter</p> <p>Winkeleinstellbare Adapter $\pm 45^\circ$</p> <p>www.grip.de/G17/THS572</p>
	<p>THS572-90</p> <p>Adjustable 0-90° moveable 80mm</p> <p>Winkel Adapter 0- 90° Aus der Achse verschiebbar</p>
	<p>THS350-MPA</p> <p>Spring adapter</p> <p>Federnder Adapter für MPA</p> <p>www.grip.de/G17/THS182</p>



TH231

hooks

Haken

www.grip.de/G17/TH231

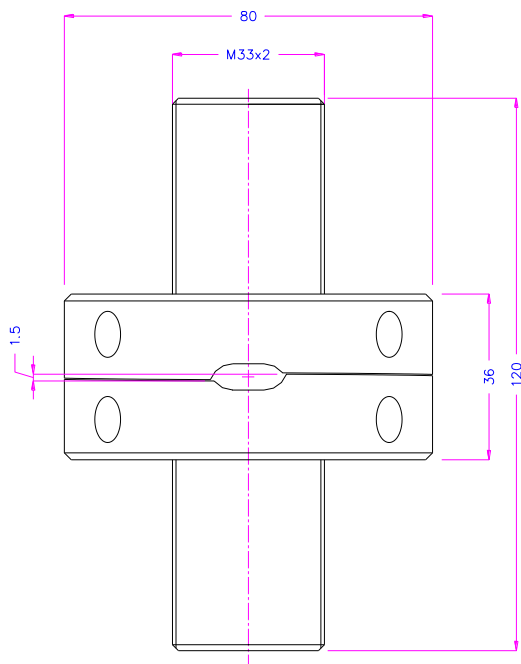


THS91

Adapter to calibrate

MPA Adapter mit Pfanne

www.grip.de/G17/THS91



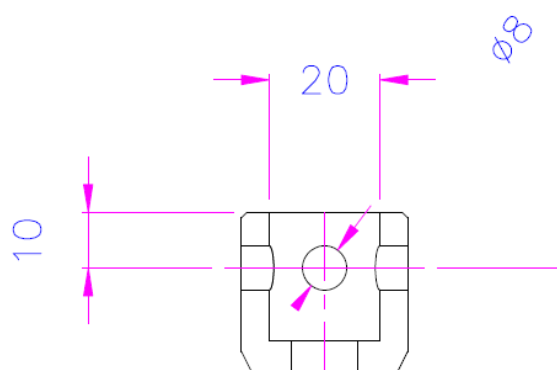
THS785-33

Spiral washers

Verspansscheiben

THS785-40-M33x2

www.grip.de/pdf/G17_datasheet.pdf

Adapterkürzel yy	nomenclature short forms yy
<p>Weiblich / female Af159 = Adapter female 15.9H7 = 15.900...15.918</p> <p>59 = 5.9/2.6 mm 8 = 8/3 10 = 10. 126 = 12.6/3.9 14 = 14/6 155 = 15/5 1506 = 15/6 159 = 15.9/8 = 5/8" häufigster Adapter 20 kN 16 = 16/6.5 18 = 18/8 19197=19,1/9.7 6/8" 20 = 20/8 20 kN 25 = 25/10</p>	<p>255 = 25.5 / 12.7 30 = 30/12 50 kN 318 = 31.8/12.8 10/8" 50kN 32 = 32/16.3 Te 36 = 36/18 50 kN 38 = 38/16 50 kN Ga 40 = 40/16 100 kN 50 = 50/24 60 = 60/30/35 6025 = 60/25 (25/53) 250 kN 6030 = 60/30/30 250 kN 64 = 64 / 30 300 kN 70 = 70/35 (35/72) 300 kN</p>
<p>Männlich / Male Am15.8 Adapter male 15.8 f6 = 15.784...15.773</p> <p>m8 = 8/3 500 N m119 = 11.9/6 10 kN m15865 = 15.8/6.5 (MTS) m158 = 15.8/8 5/8" 20 kN m1660 = 16/6 10 kN m1665 = 16/6.5 10 kN m19 = 19/9.7 6/8" 19.0/9.7/12.7/28.5</p>	<p>m20 20/8 m2014 Zapfen 20/14 o Querb Bohrung MTS m22 = 22 Diameter mit Nut MTS m317 10/8" (Instron) m35 = 35/13 / 20/40 m40 = 40/16 m45 = 45/20 35vR MTS m50 = 50/24</p>
	<p>L2 = 2 holes in female adapter 2 Bohrungen im weiblichen Adapter</p>
<p>www.grip.de</p>	<p>info@grip.de</p>