

[Grip-Engineering](mailto:info@grip.de)  
[info@grip.de](mailto:info@grip.de)

Fixtures conform to GOST

[Back](#)



GOST209

THS-Gost209-75

Rubber and glue. Methods of determination of metal bond strength at tearing



GOST262-93

[THS265-PPx](#)

Rubber, vulcanized. Determination of tear strength (throuser, angle and crescent test pieces)

Pneumatic press with cutting equipment to test rubber samples according to GOST262-93






GOST262-93

[THS265-CW12.7x102-GOST262-93](#)

Rubber, vulcanized. Determination of tear strength (throuser, angle and crescent test pieces)

Cutting die for rubber samples according to GOST262-93

 A black metal universal bending fixture with a central horizontal beam, two vertical supports, and a top-mounted cylindrical component with a handle.	<p>GOST310</p> <p><a href="#">TH103</a></p> <p>Cements. Methods of tests of bending and compression strengths</p> <p>Universal bending fixture</p>
 A black metal fixture with a long handle and a base with a hole for a specimen.	<p>GOST411</p> <p><a href="#">TH95-3</a></p> <p>Rubber and glue. Methods for determination of metal bond strength at separation</p>
 A black metal fixture with a handle and a base, similar to the previous one but with a different handle shape.	<p>GOST411</p> <p><a href="#">TH95-4</a></p>



GOST1497

[THS565](#)

Metals. Methods of tension test

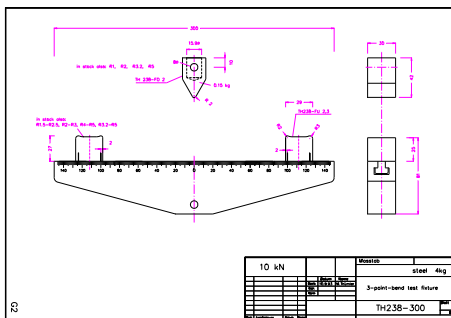
See also [TH4](#), [THS885-70](#), [TH89](#)



GOST EN1608-2008

[THS170-1-1](#)

Thermal insulating products for building applications. Method for determination of tensile strength parallel to faces



GOST4648

[TH238-300](#)

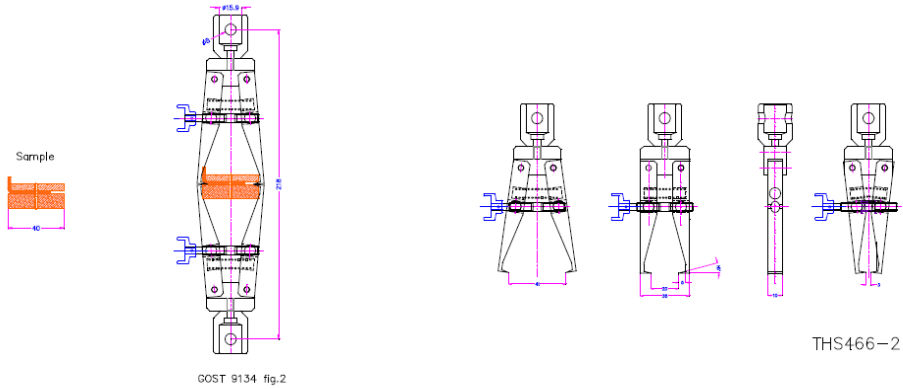
Plastics. Method of static bending test



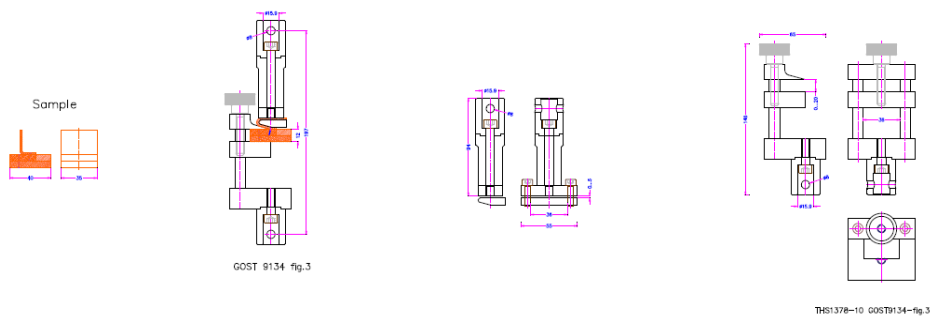
GOST4651

THS717-20

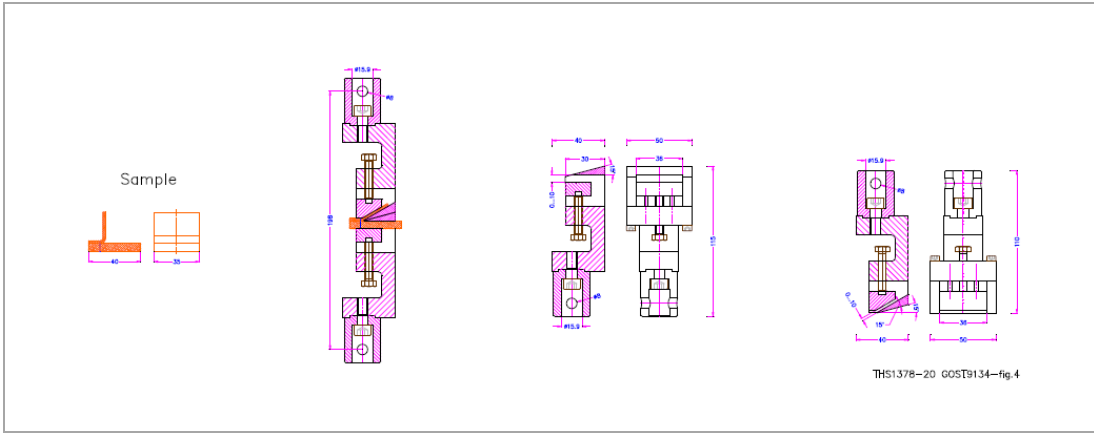
Plastics. Compression test method



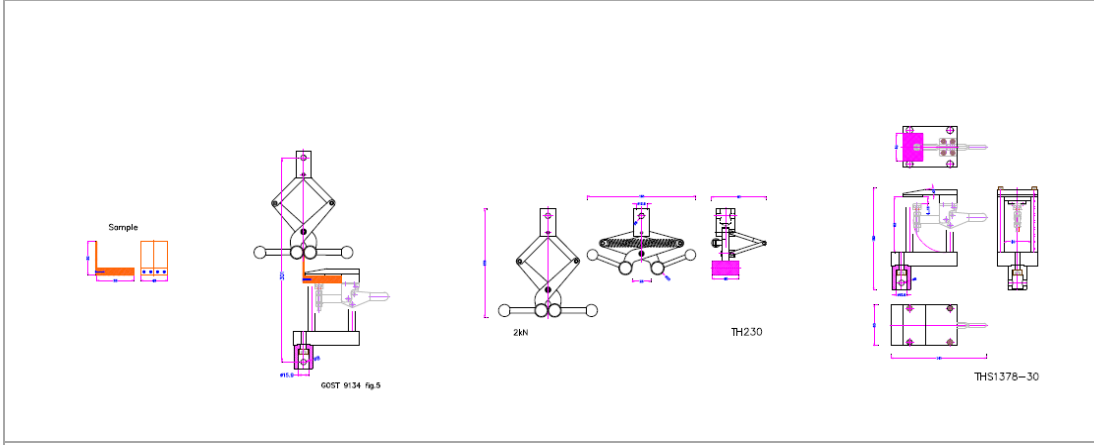
GOST 9134-Fig2 THS466-2



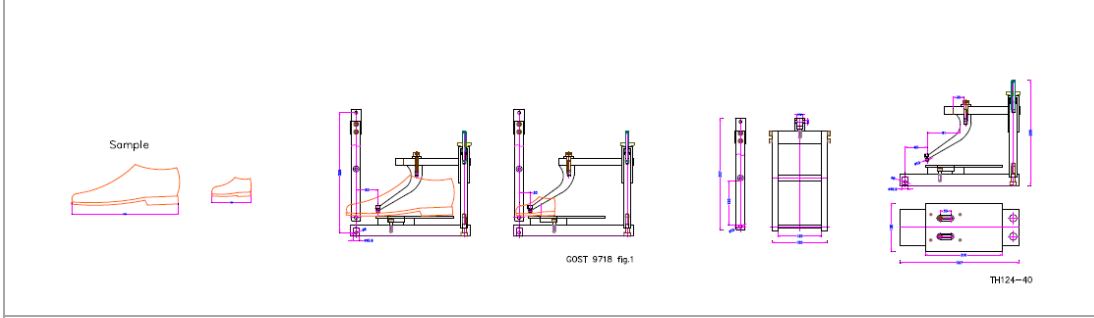
GOST9134-Fig3 THS1378-10



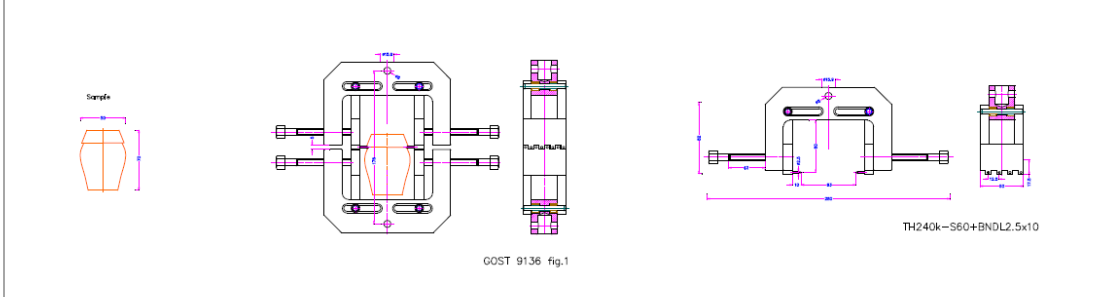
GOST9134-Fig4 THS1378-20



GOST9134-Fig5 THS1378-30



GOST9718-Fig1 TH124-40 shoe testing



GOST9136-Fig1 TH240k-S60+BNDL2.5x10



GOST9550-81

[THS793](#)

Compression test fixture to determine compressive strength and compressive modulus of plastic or composite specimens

 [THS793 Datasheet.pdf](#)

 [THS793 Datenblatt.pdf](#)

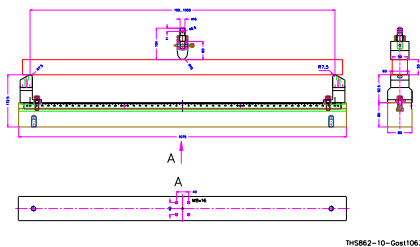


GOST10510-80

[TH109-250](#)

Metals. Erikson test method for sheets and strips extrusion

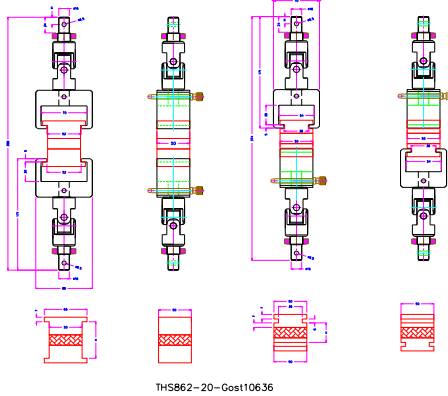
Universal wedge grip



GOST10635

THS862-10

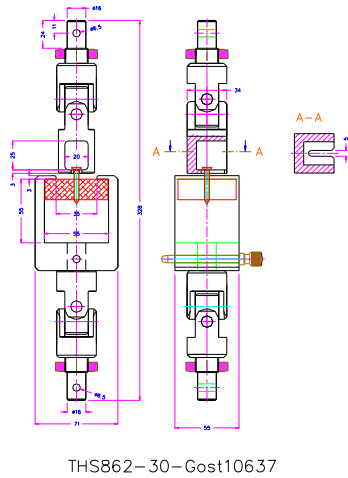
Particle boards. Methods for determining of ultimate strength and modulus of elasticity in bendind



GOST10636

THS862-20

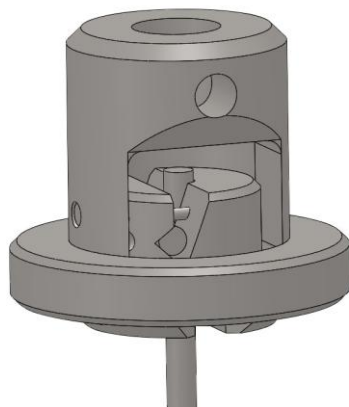
Wood particle boards. Method for determination of ultimate tensile strength perpendicular to board face



GOST10637

THS862-30

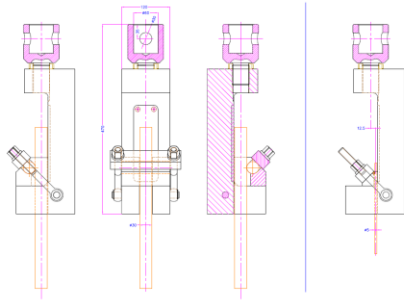
Wood particle boards. Method for determination of resistivity to nail and wood screw withdrawal



GOST10922

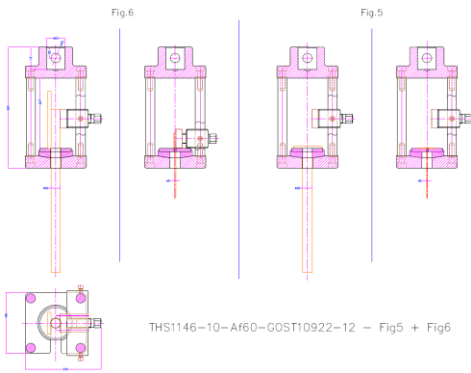
THS765

Type 1, 2. Welded reinforcing products and inserts, welded joints of reinforcement and inserts for reinforced concrete structures.



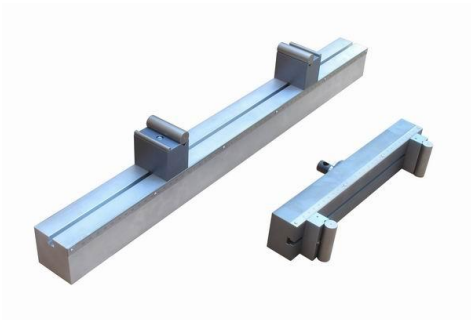
THS290-41-250-Af60-GOST10922-12 - Fig4

GOST10922-12-fig4  
THS290-41-250



THS1146-10-Af60-GOST10922-12 - Fig5 + Fig6

GOST10922-12-Fig5 + Fig6  
THS1146-10 shear jig

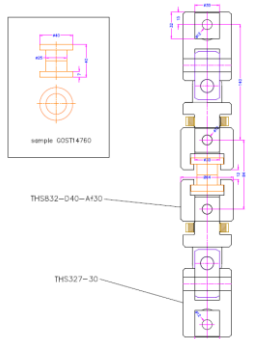
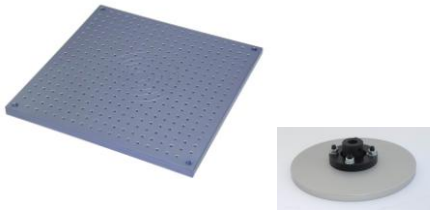



GOST EN12089

TH22-1200

Thermal insulating products in building applications. Method for determination of bending behaviour



	<p>GOST EN12430</p> <p>TH36-300+THS223</p> <p>Thermal insulating products for building applications. Method for determination of behaviour under point load</p>
	<p>Gost14760</p> <p>THS832-D40</p>
	<p>GOST17177-94</p> <p>TH36L-400-L6x20</p>
	<p>GOST21981</p> <p><a href="#">THS470</a></p> <p>Sealants. Determination method of bond strength with metal at peeling</p> <p>Pincer grip</p> <p>See also <a href="#">TH227</a></p>



GOST23409

[THS474](#)

Briquette tensile testing grip



GOST26246.0-89

[TH50](#)

Pell test fixture 90°

Foil-clad electrical insulating materials for  
manufacture of printed plates.



GOST56335

THS174-150-50



GOST R52779

THS1187

Polyethylene fittings for gas pipelines.  
General specifications

[info@grip.de](mailto:info@grip.de)

AK 18 Oct 2017

[TOP](#)