

90° PEEL TEST FIXTURES

to test adhesive strength of ID cards.

TH104-110 and TH104-60 are according to ISO/IEC 10373-1:
Identification cards – Test methods – Part 1: General characteristics. Fig. 5. Peel test.

Item no.: TH104-110

- Conforms to ISO/IEC 10373-1

Rollers:	6 rollers x 10 mm Ø 1 mm distance between rollers V2A stainless steel
Body:	Steel, manganese phosphate or nickel plating
Coupling:	Af15.9. Further couplings on request.
Weight:	2.7 kg
Temperature range:	0 ... +70°C Further temperature ranges on request
Scope of delivery:	1 fixture. Additional lower/upper grip is required (not included in the price)



Item no.: TH104-60

- Conforms to ISO/IEC 10373-1
- Articulated joints enable better alignment of the peel angle during the test

Rollers:	2 rollers x 10 mm Ø 1 mm distance between rollers V2A stainless steel
Body:	Steel, nickel-plated
Coupling:	Af15.9. Further couplings on request.
Weight:	1.09 kg
Temperature range:	0 ... +70°C Further temperature ranges on request
Scope of delivery:	1 fixture. Additional lower grip is required (not included in the price)

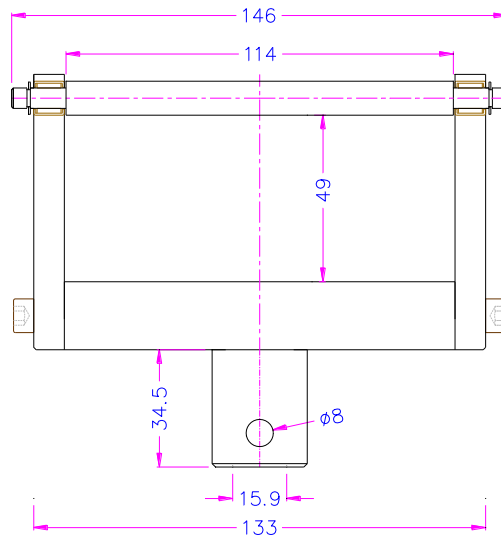
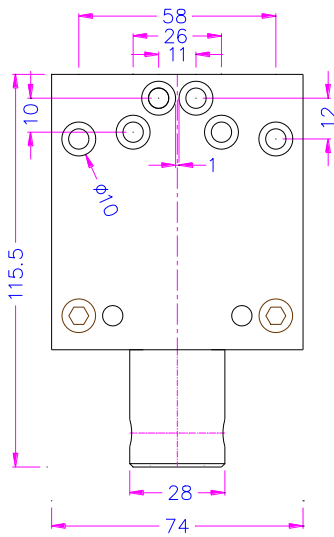


Item no.: TH104-90

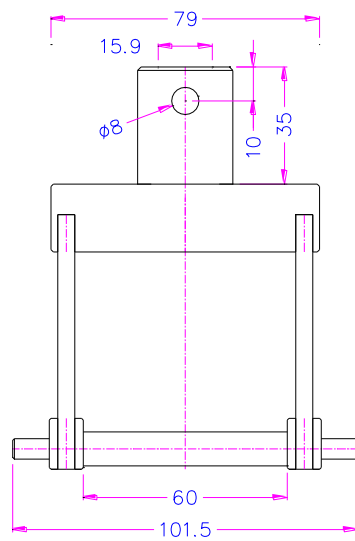
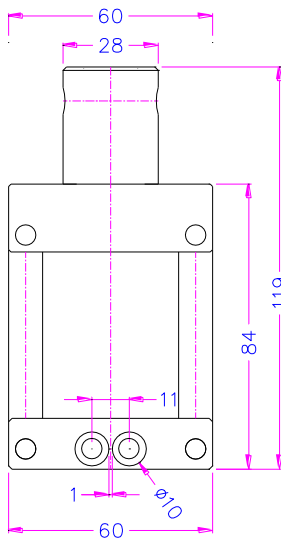
- Can be used for thicker specimens due to larger distance between rollers

Rollers:	4 rollers x 6 mm Ø; 14 mm distance between rollers Steel, nickel-plated
Body:	Aluminium, anodized
Coupling:	Af15.9. Further couplings on request.
Weight:	0.94 kg
Temperature range:	0 ... +70°C Further temperature ranges on request
Scope of delivery:	1 fixture. Additional lower grip is required (not included in the price)

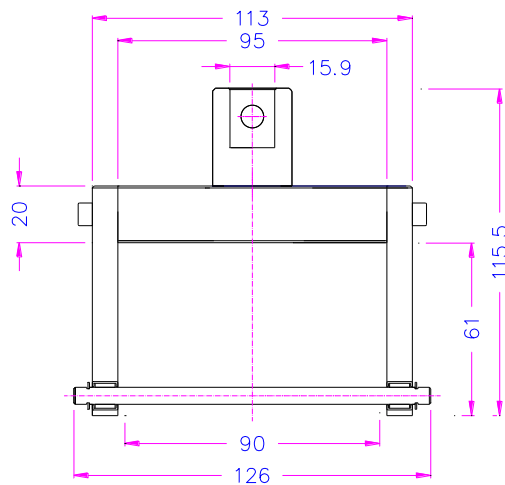
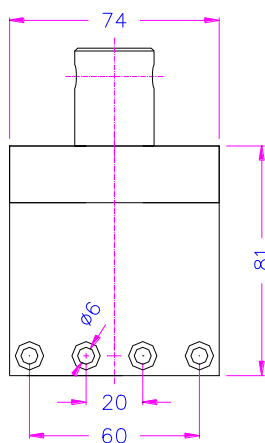




TH104-110-ISO/IEC 10373-1



TH104-60 ISO/IEC 10373-1

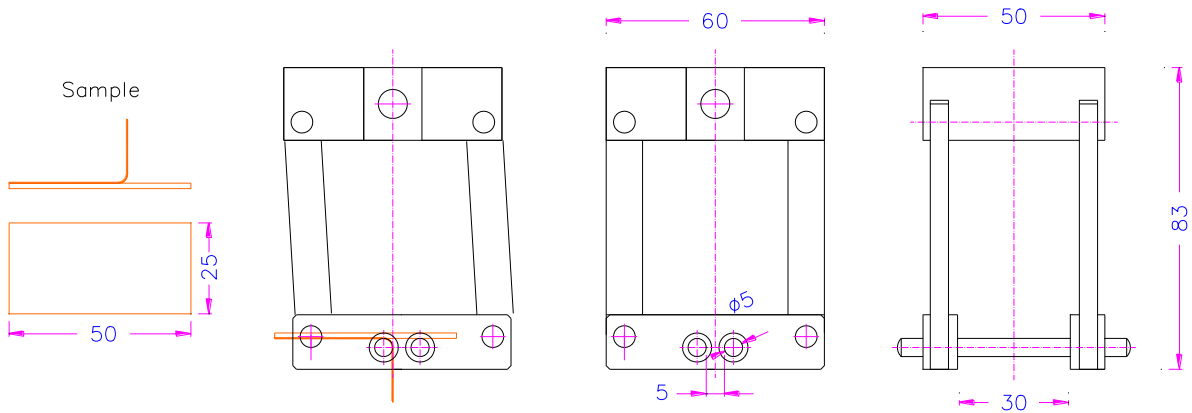


TH104-90

Customized solutions:

TH104-30 according to DIN 53494

Electroplated coatings; testing of electroplated plastic articles; determination of peel strength.



TH104-30 DIN 53494 Fig.2

For additional grip we recommend



THS470

[THS470 Datasheet.pdf](#)



THS827



THS341

[THS341 Datasheet.pdf](#)



THS501

[THS501 Datasheet.pdf](#)