

WEDGE GRIPS 100, 150, 250, 300, 500 KN

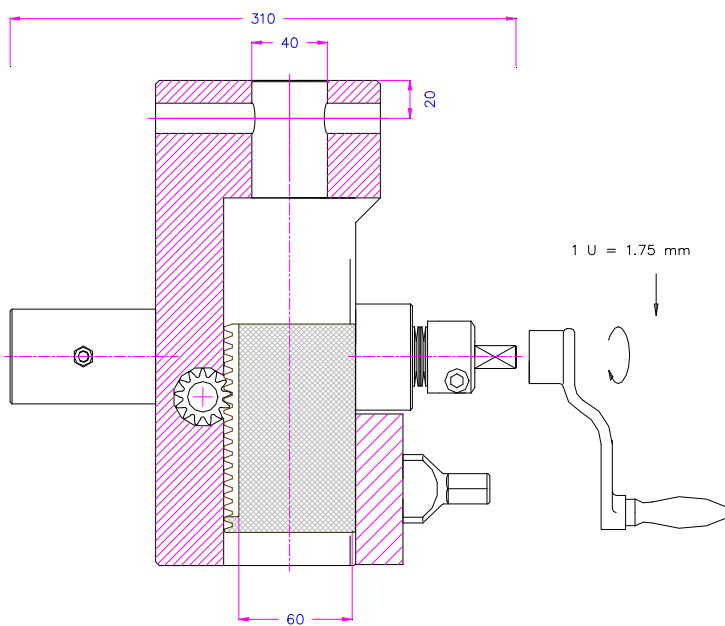
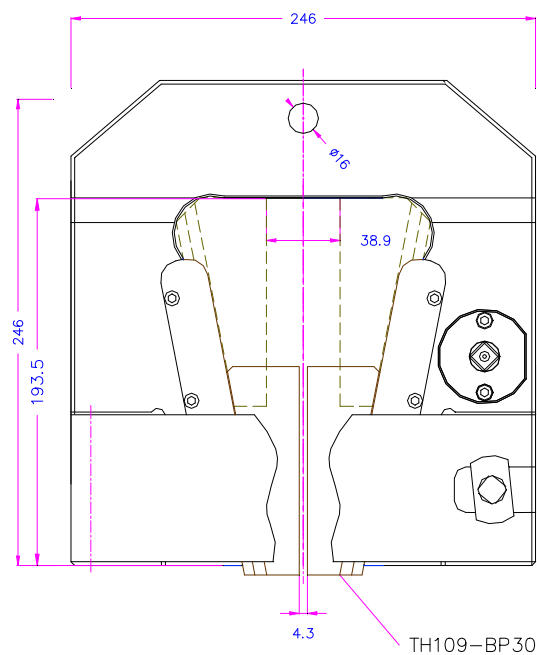
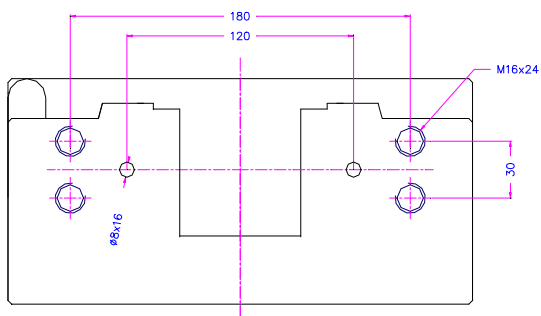
Universal grips with lower wedge angle (11°) for many kinds of materials such as aluminium, copper, weak steel till 30 HRC – round and flat.

We do not recommend these grips for hardened or fiber samples.

Simple to use with a crank handle (or a cordless electric screwdriver).

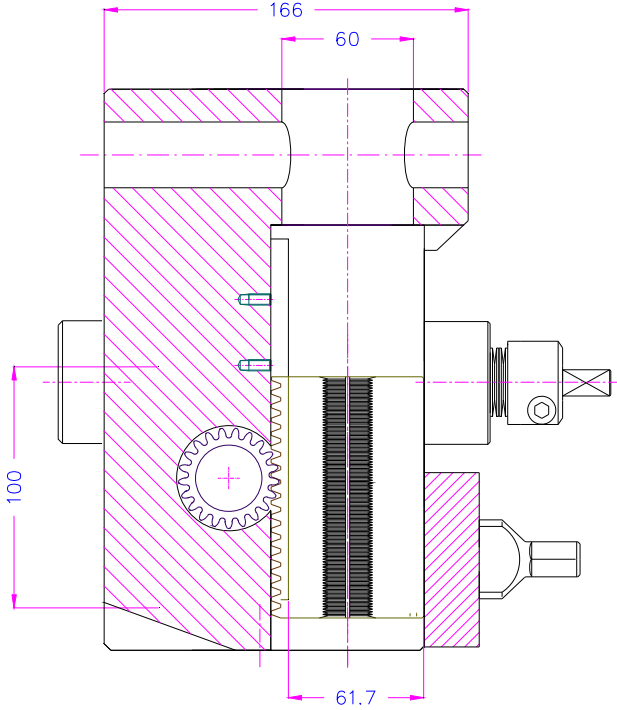
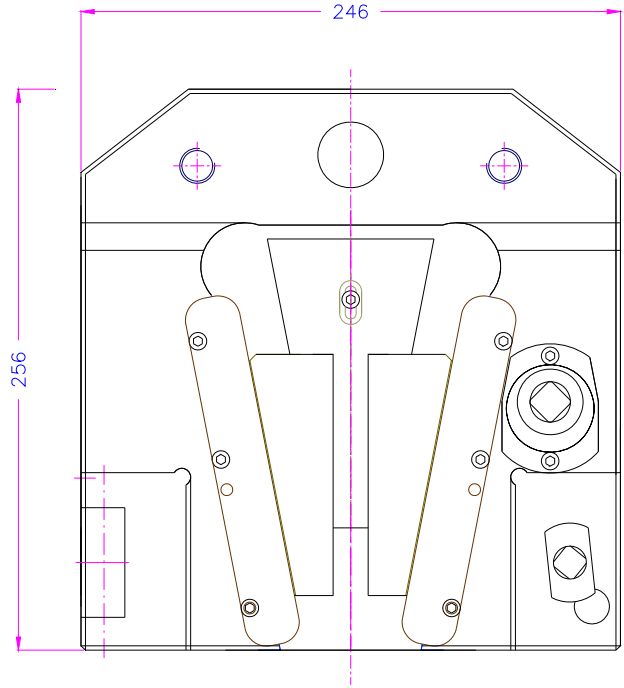
Rear side gear, can be also inserted in short machines.

Item no.:	TH109-100
Max load:	100 kN
Jaw opening:	0-50 mm depending on jaw type
Standard coupling:	Af318 or Af40. Further couplings on request
Body:	Steel, nickel-plated
Temperature range:	0 ... +70°C Further temperature ranges on request
Weight:	46 kg per grip without jaws
Scope of supply:	1 pair of grips without jaws

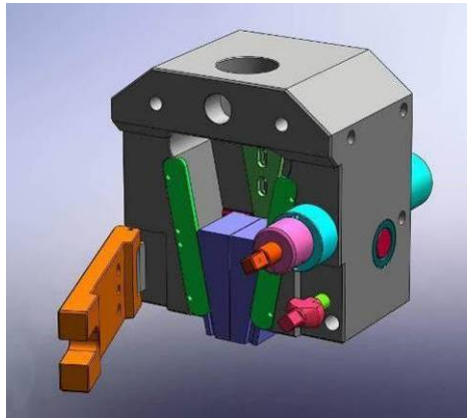


TH109-100-Af40

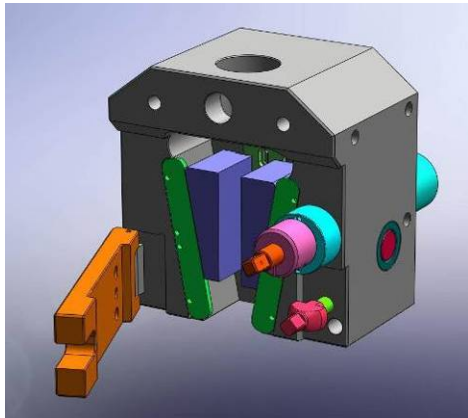
Item no.:	TH109-250
Max load:	250 kN
Jaw opening:	0-50 mm depending on jaw type
Standard coupling:	Af60. Further couplings on request
Body:	Steel, nickel-plated
Temperature range:	0 ... +70°C Further temperature ranges on request
Weight:	70 kg per grip without jaws
Scope of supply:	1 pair of grips without jaws



TH109-250



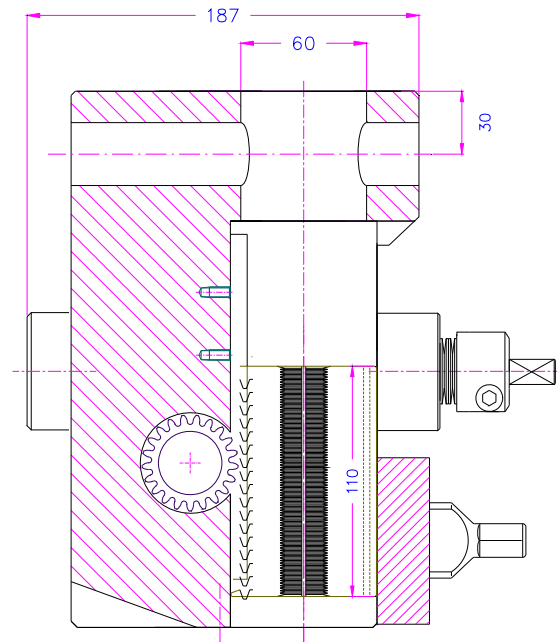
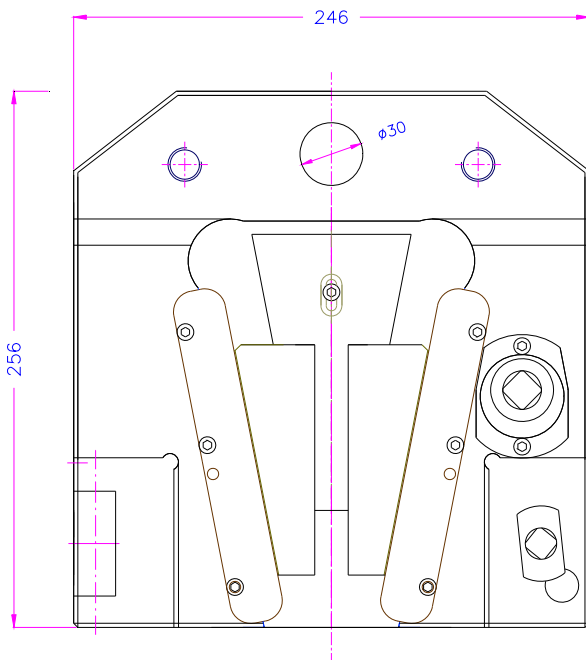
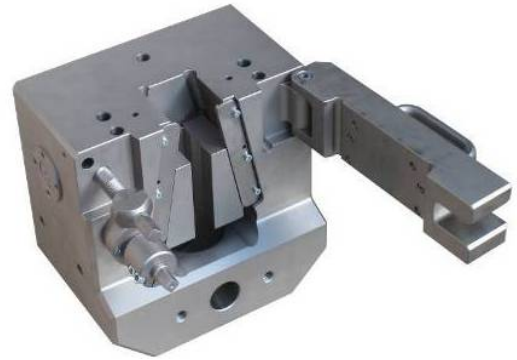
TH109-250 with open flap, closed jaws



flap opened, open jaws

Item no.: TH109-300

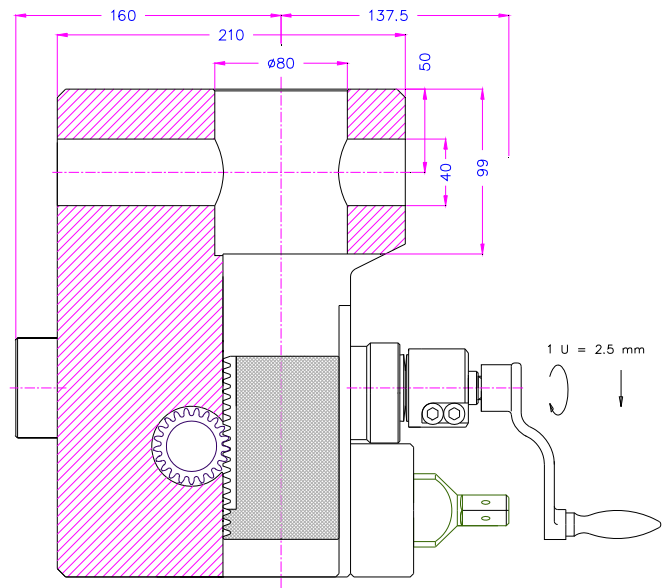
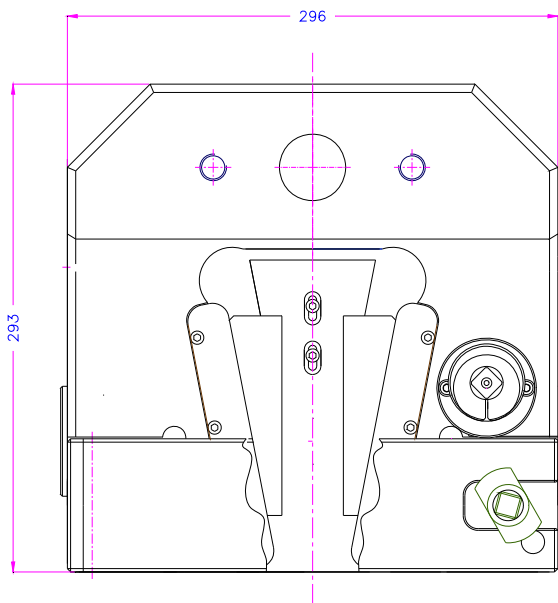
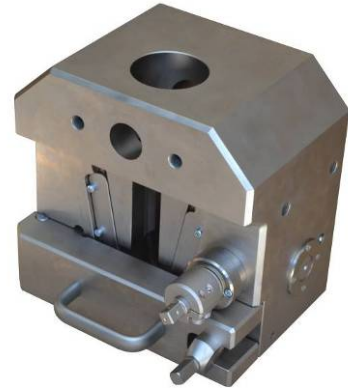
- Max load: 300 kN
- Jaw opening: 0-50 mm depending on jaw type
- Standard coupling: Af60. Further couplings on request
- Body: Steel, nickel-plated
- Temperature range: 0 ... +70°C
Further temperature ranges on request
- Weight: 75 kg per grip without jaws
- Scope of supply: 1 pair of grips without jaws



TH109-300-Af60

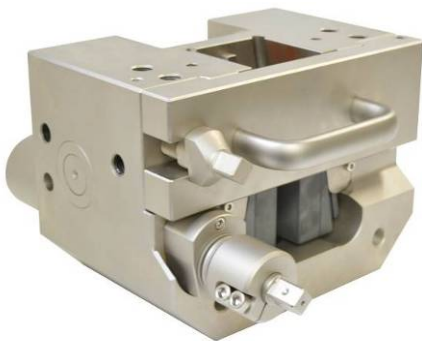
Item no.: TH109-500

- Max load: 500 kN
- Jaw opening: 0-50 mm depending on jaw type
- Standard coupling: Af80. Further couplings on request
- Body: Steel, nickel-plated
- Temperature range: 0 ... +70°C.
Further temperature ranges on request
- Weight: 100 kg per grip without jaws
- Scope of supply: 1 pair of grips without jaws



TH109-500-Af80

Examples for customized solutions:



TH109-250k short version



TH109-300 with a special adapter for temperature chambers

Jaws for TH109 grips:

Scope of delivery: 1 set = 4 jaws

Item no.	Surface	Clamping surface H x W	Jaw opening	Weight per pair
TH109-BP30	Pyramid jaws	60x110 mm	0-30 mm	4.28 kg
TH109-BP50	Pyramid jaws	60x110 mm	26-50 mm	3.32 kg
TH109-BV30	V-jaws	60x110 mm	Ø 6-30 mm	4.28 kg
TH109-BV50	V-jaws	60x110 mm	Ø 30-50 mm	3.28 kg

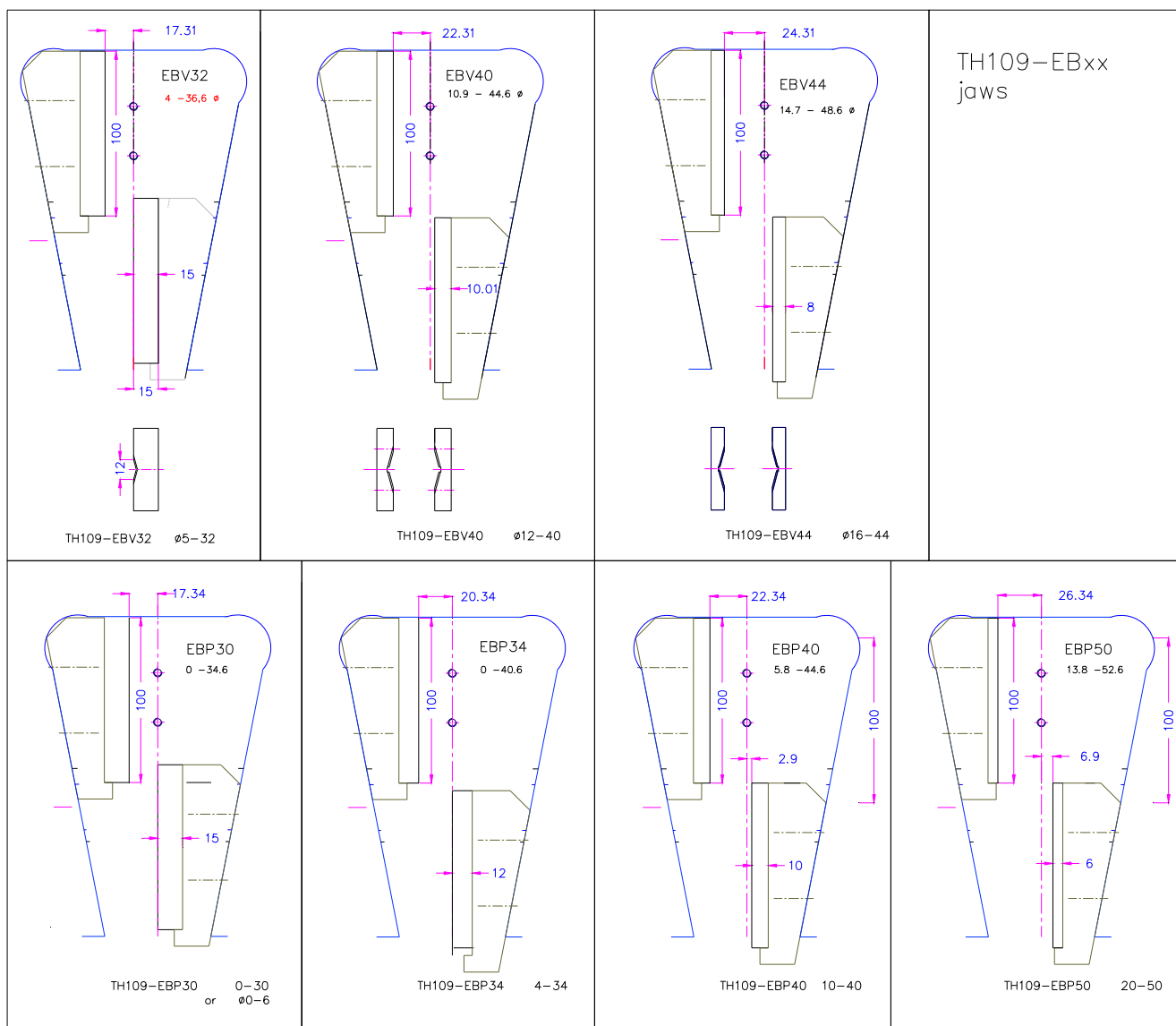
Insert jaws for TH109

Scope of delivery 1 set = 4 jaws

For a quick change of jaws, insert jaws require carriers (TH109-GT)

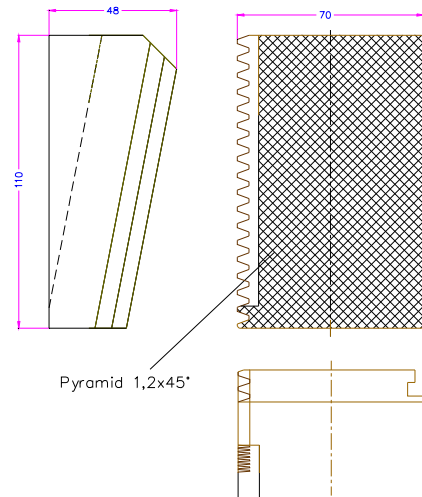
Item no.	Surface	Clamping surface H x W	Jaw opening	Weight per pair
TH109-GT	Carrier	-	-	2.93 kg
TH109-EBP30	Pyramid (serrated)	50x100 mm	0-30 mm	1.12 kg
TH109-EBP34	Pyramid (serrated)	50x100 mm	4-34 mm	0.87 kg
TH109-EBP40	Pyramid (serrated)	50x100 mm	10-40 mm	0.74 kg
TH109-EBP50	Pyramid (serrated)	50x100 mm	20-50 mm	0.21 kg
TH109-EBV32	V-jaws	50x100 mm	Ø 5-32 mm	1.13 kg
TH109-EBV40	V-jaws	50x100 mm	Ø 12-40 mm	0.35 kg
TH109-EBV44	V-jaws	50x100 mm	Ø 16-44 mm	0.27 kg

Jaws with other dimensions and surface coatings on request

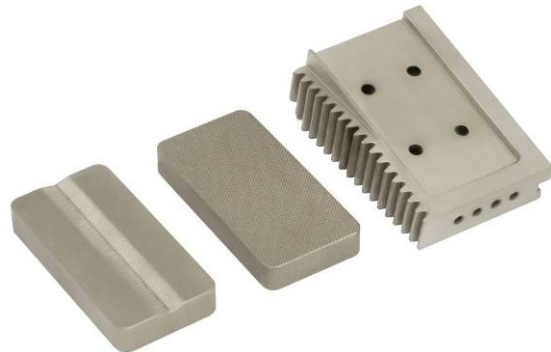




TH109-BP for flat samples



TH109-BV for round samples



TH109-GT carrier, TH109-EBP and TH109-EBV

Examples for customized jaws:



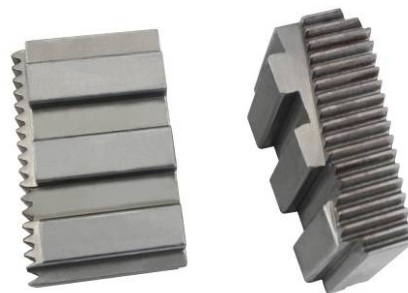
TH109-EBV Insert jaws for round samples



TH109-EBVD24 Diamond-coated V-insert jaws

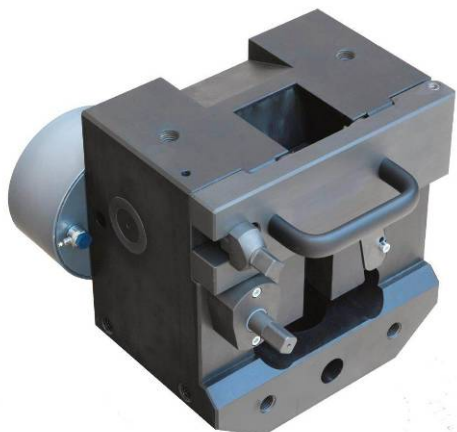


TH109-EBP15-TiNi Titanium nitride coating



TH109-BW35-A28 Jaws for toothed belt

Accessories:



TH109-250+Ko

Double-acting cylinder

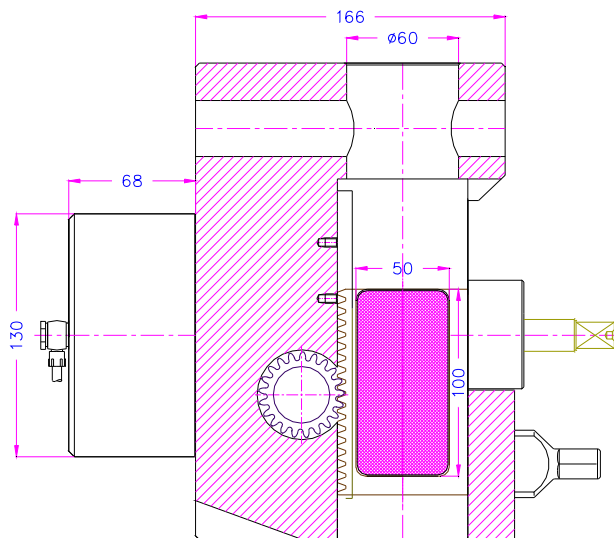
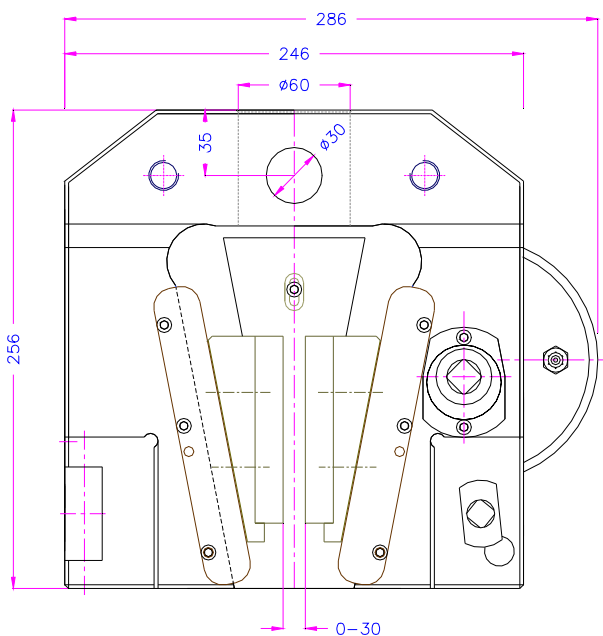
Clamping force 12 kN (7 bar)

Max pressure 15 bar with compressor TH216

see [TH216 data sheet](#)

The handle serves only for an approximate adjustment of jaw opening

Video shows how to adjust jaw opening <http://youtu.be/6jW3wW8qeYY>

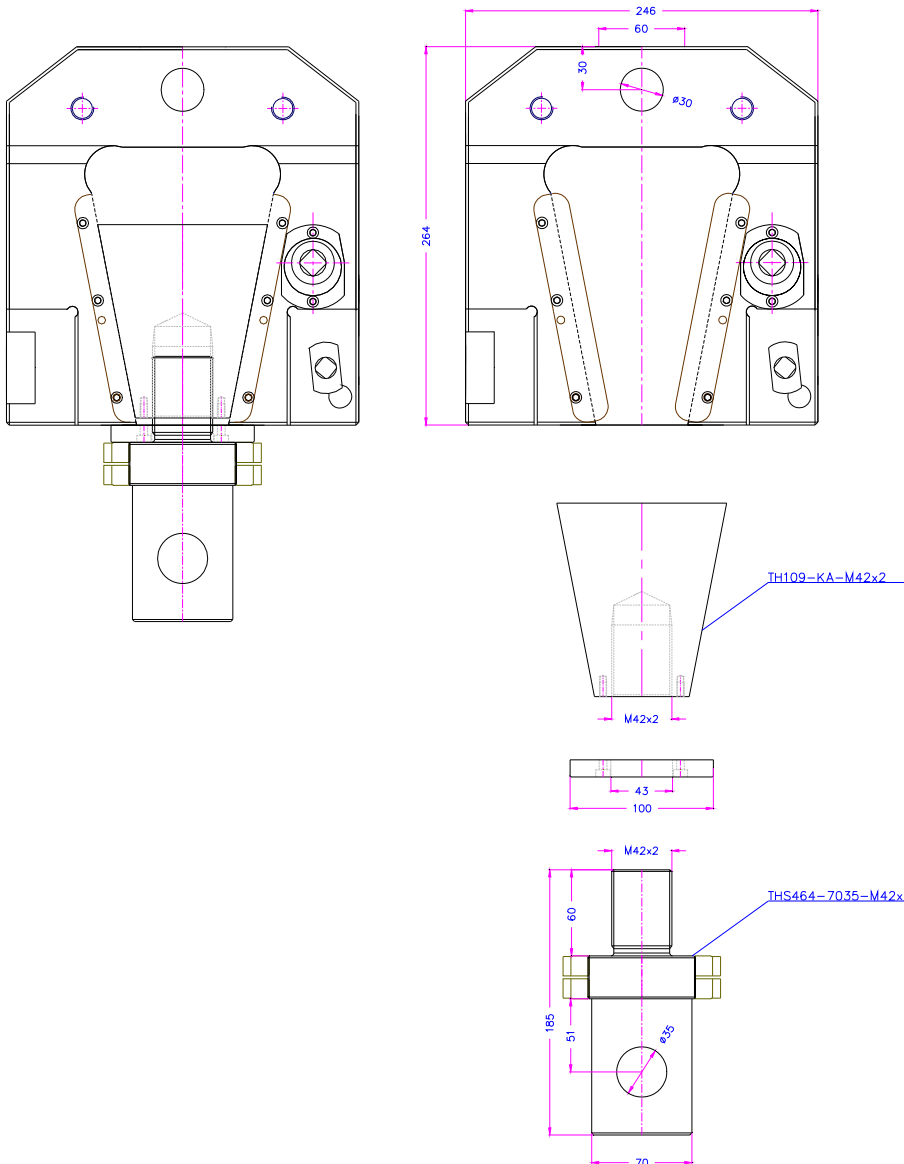


TH109-250+Ko+GT+EBP-Af603035

TH109-KA-M42x2 + THS464-7035-M42x2

Wedge adapter to connect other grips without disassembling TH109 grip.

Available in different coupling sizes.





TH109-250 + compression platen TH23-P156



TH109 + bending fixture TH22St-360

Test videos:



http://youtu.be/ePr_AideKew
silver steel test

<https://youtu.be/4dc4QVeKYx4>
copper tube test

<https://youtu.be/FTUn3P4j2iO>
how to insert a sample

https://youtu.be/InOTd1_-sVA
how to remove a sample