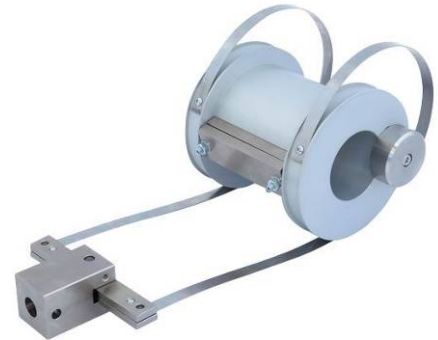


CLIMBING DRUM PEEL TEST FIXTURES

for testing peel resistance of adhesive bonds, e.g. for honeycomb sandwich constructions, according to ASTM-D1781, EN 2243-3 and DIN 53295.

The fixture consists of a flanged drum, flexible loading straps connected to adapter, and clamps for holding the test specimen.

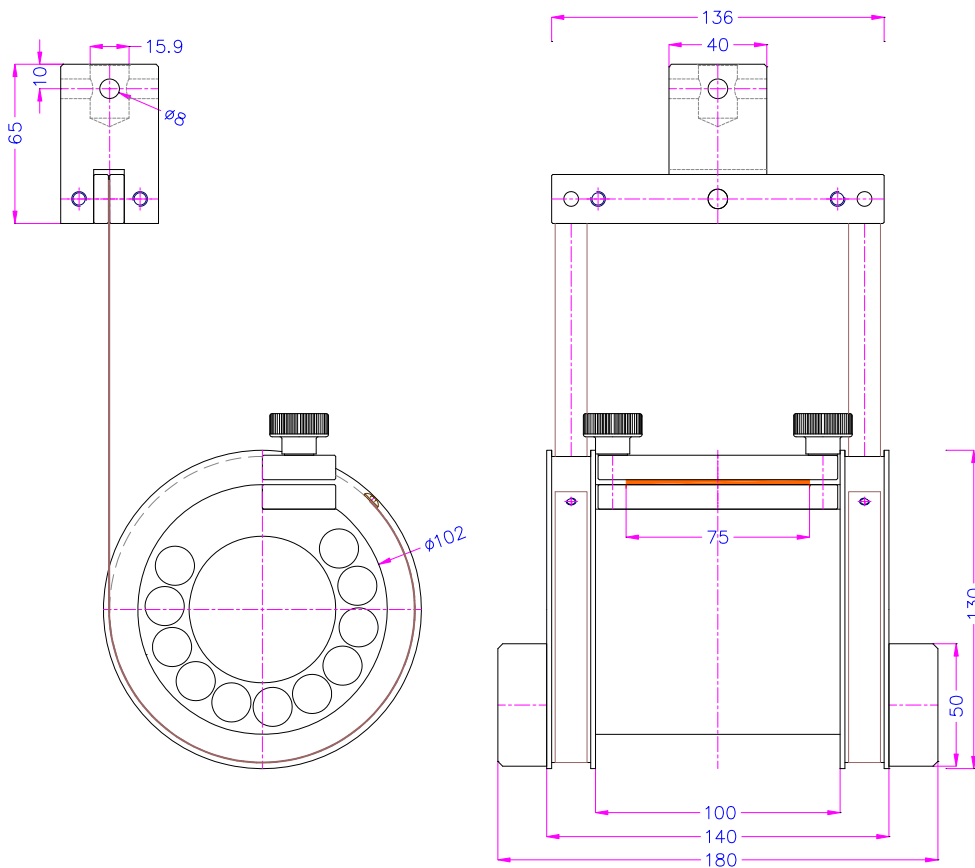
Max. load:	10 kN
Coupling:	Af159 or Af20 Further coupling sizes on request
Material:	Aluminum (drum), steel (rest)
Temperature range:	0 ... +70°C Further temperature ranges on request
Weight:	3.5 kg
Scope of delivery:	1 fixture. Additional upper grip is required (has to be ordered separately)



Item no.: TH115-ASTM-D1781-102

Climbing drum peel test fixture to determine peel resistance of adhesive bonds between a relatively flexible adherend and a rigid adherend; and the relatively flexible facing of a sandwich structure and its core according to ASTM-D1781

Drum diameter:	102 mm (4 in.)
Sample width:	25 mm (1 in.) for laminated assemblies 76 mm (3 in.) for sandwich constructions
Sample length:	Min. 254 mm (10 in.) for laminated assemblies Min. 305 mm (12 in.) for sandwich constructions



TH115-102-ASTM-D1781-2L

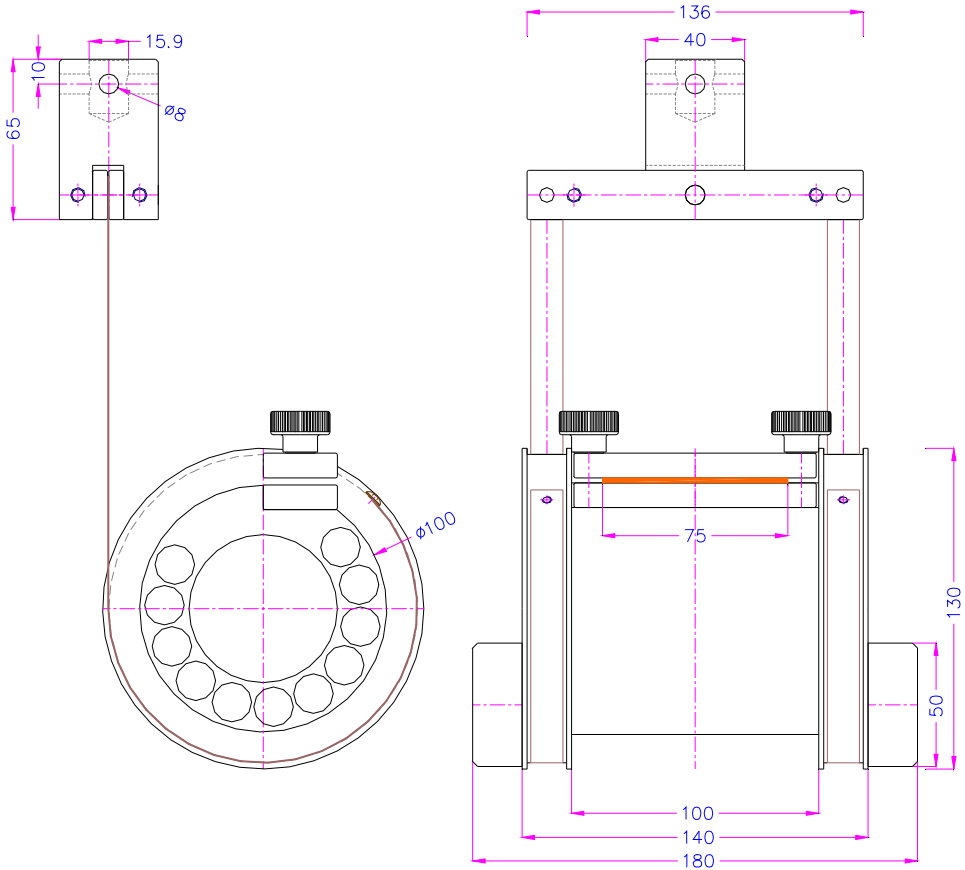
Item no.: TH115-EN2243-3-100
 TH115-DIN53295-100

Climbing drum peel test fixture to determine peel resistance of adhesive bonds in honeycomb core sandwich constructions according to EN 2243-3 and DIN 53295

Drum diameter: 100 mm

Sample width: 75 mm

Sample length: 300 mm



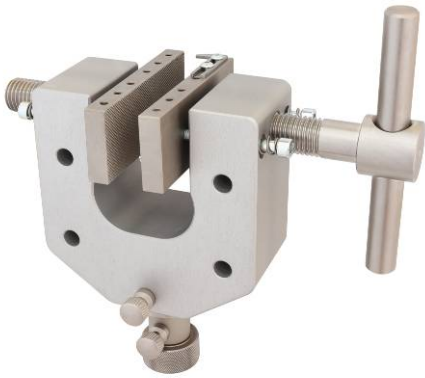
TH115-EN2243-3-DIN53295-100

Optional accessories:



TH115-TBL
 Adjustable table – helps to start the test

For upper grip we recommend:



TH154+BP100
[TH154 Datasheet.pdf](#)



TH240g+BP80
[TH240g Datasheet.pdf](#)

