

TH146

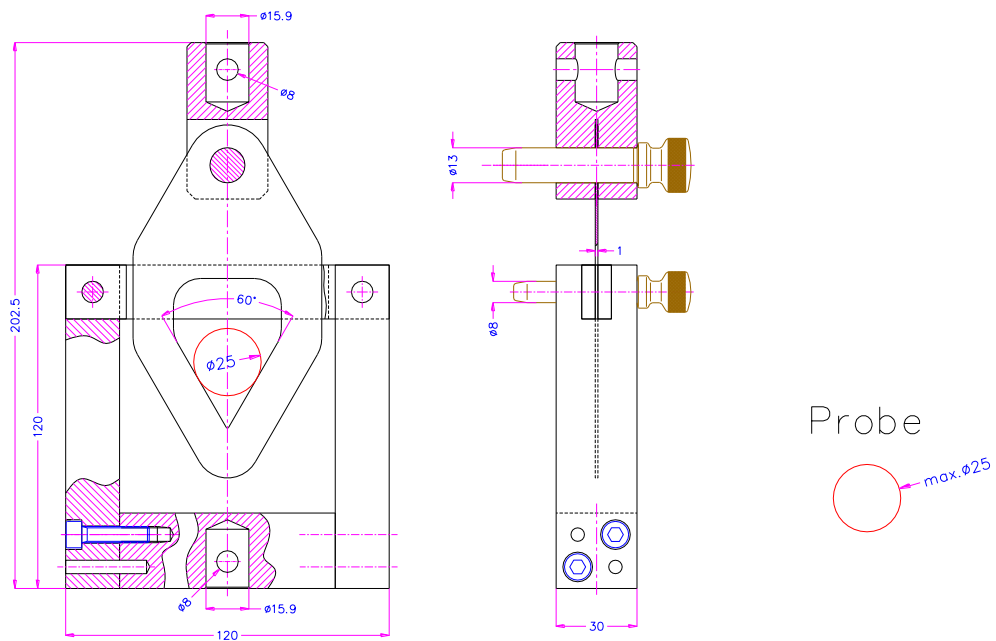
Meat Shear

made of stainless steel

Capacity: 2 kN

Dimensions: 1 mm thick V-notch blade with 0.5 mm cutting radius.

Maximum specimen diameter 25 mm



TH146-10-Af159 Warner Bratzler Meat Shear Fixture