

TENSILE BEND FIXTURES

Item no.:	TH165 (3-Point tensile bend fixture) TH165-4P (4-Point tensile bend fixture without 3-Point anvil) TH165-5P (4-Point tensile bend fixture with 3-Point anvil)
Max. load:	10 kN
Span:	50 – 200 mm
Roller width:	50 mm
Coupling:	Af159. Further couplings on request
Bars and 3-Point anvil:	Aluminium, anodized
Roller holders + rollers:	Steel, nickel-plated
Temperature range:	0 ... + 70°C. Further temperature ranges on request
Weight:	3.2 kg (TH165); 5.5 kg (TH165-4P); 5.9 kg (TH165-5P)
Scope of supply:	1 fixture



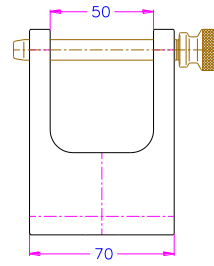
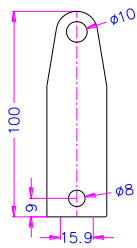
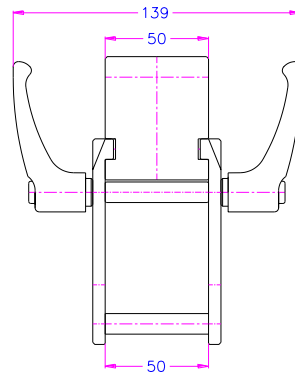
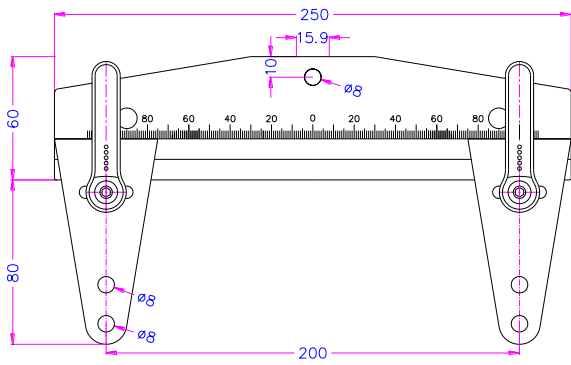
TH165



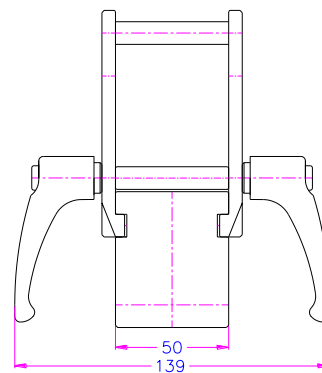
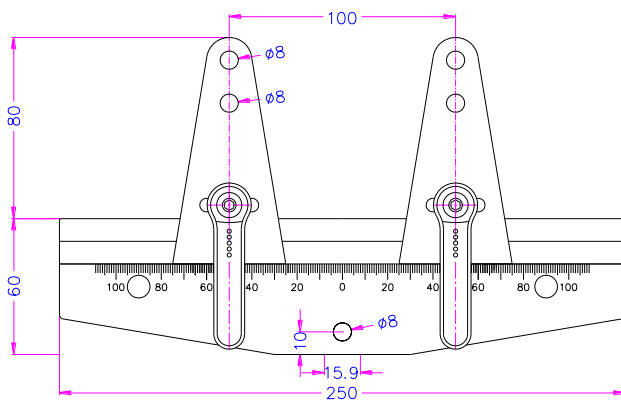
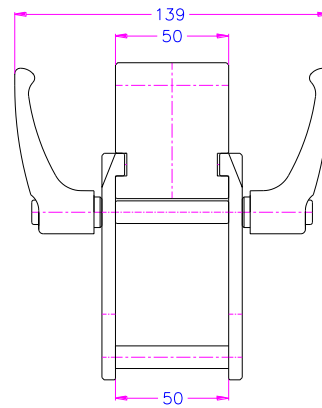
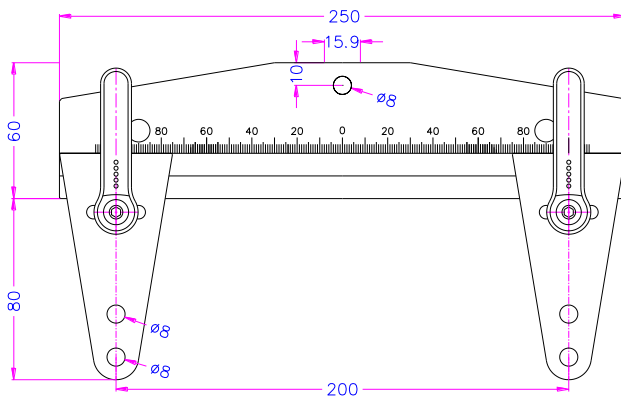
TH165-4P



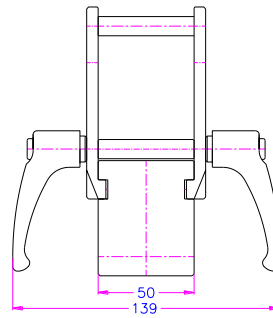
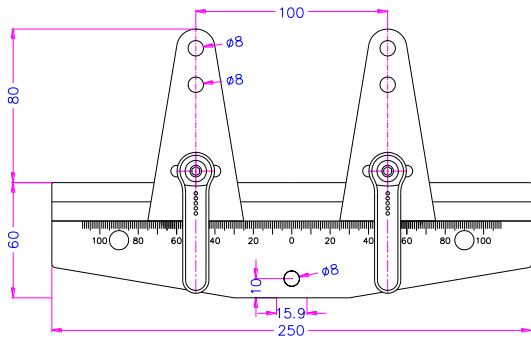
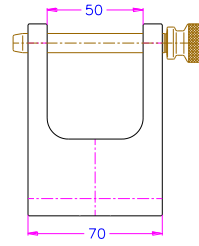
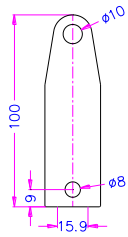
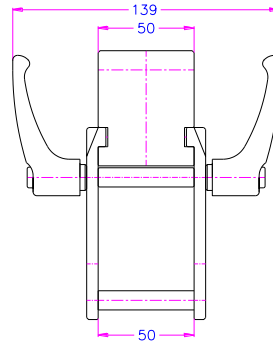
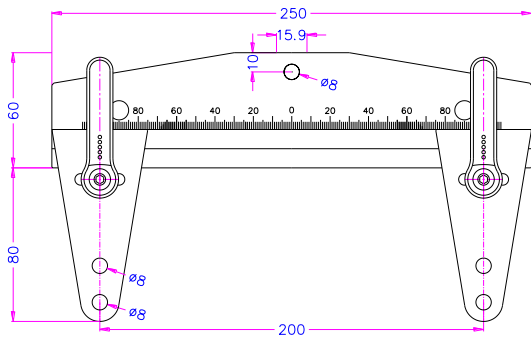
TH165-5P



TH165-3P-AF159



TH165-4P-AF159



TH165-5P-AF159