

Capstan rope grip TH170

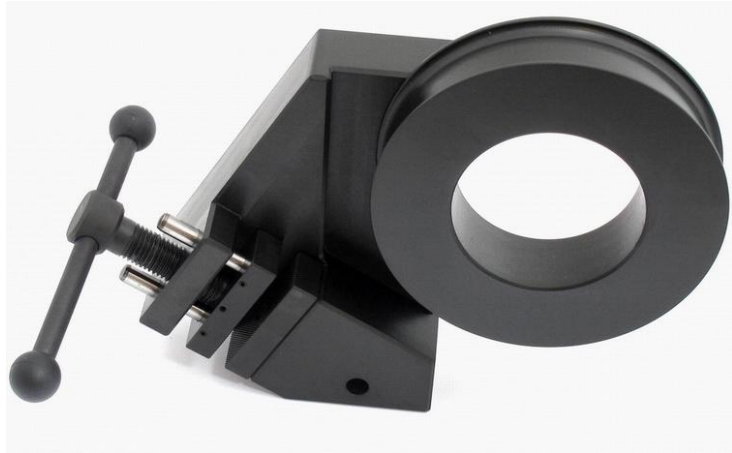
TH170 grips are applicable for ropes and ribbons from 50kN up to 300kN

According to its friction coefficient, the specimen will be twisted one or more times around the guide roller, before being fixed with clamping jaws.

The guide rollers generate a slow notch free stress relief to prevent the breakage of the specimen in the clamping area.

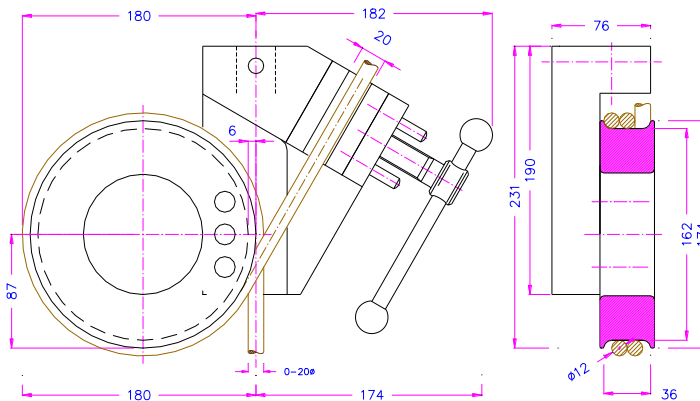
Other available versions:

- Modified diameter of the guide roller
- 100kN, 150kN, 200kN versions
- Hydraulic versions



TH170-50 50kN

	TH170-50
Applicable for	Ropes, ribbons up to 50kN
Tensile force	50 kN
Recommended rope diameter	Until 20 mm Ø
Ribbons maximal width	12 mm
Minimal specimen length	1500 mm
Jaws surfaces	Pyramid jaws, 1.2 x 45°, 58HRC Other surfaces on request
Jaws clamping surface HxW	70x30 mm
Ø Guide roller	162 mm Ø
Temperature range*	0°C - 130°C Other temperature ranges on request
Body	Steel, manganese phosphate coating
Weight	13.9 kg each grip
Ordering information/ Scope of delivery	1 pair of rope grips incl. pyramid jaws



TH170-50



TH170-50-D296-B60
Guide roller diameter 296 mm, width 60 mm

TH170-100+Ko
100 kN version, hydraulic

TH170-100
100kN version

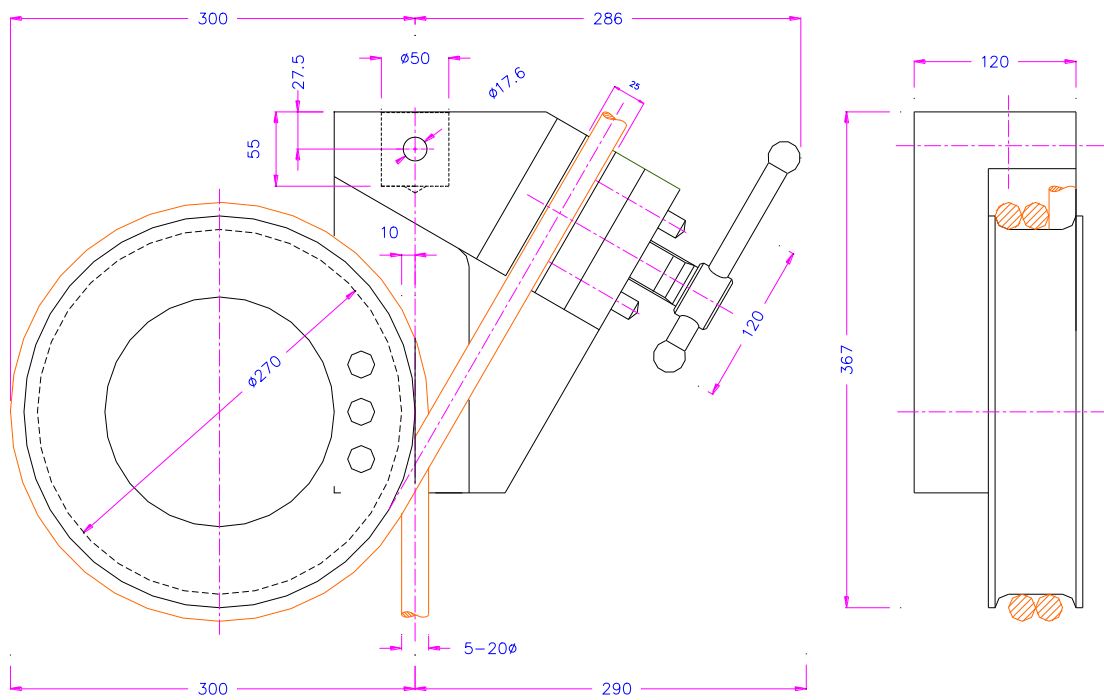
TH170-150+Ko
150kN version, hydraulic

TH170-250+Ko
250 kN version, hydraulic

TH170-50 BP0.5x45
Special jaws small pyramids (serrated)

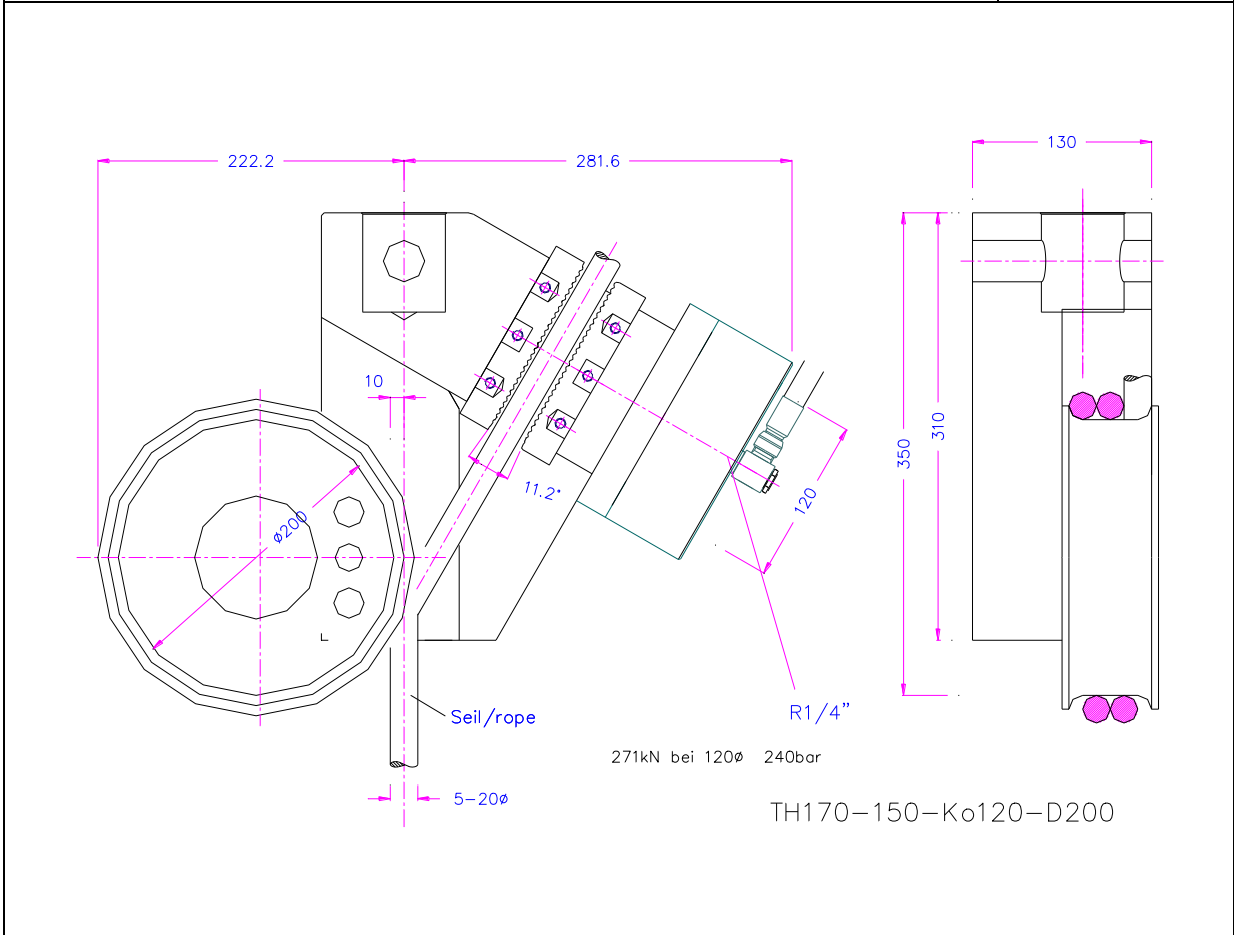


TH170-100 100kN



TH170-100-Af50/175

TH170





TH170-50-D296 special version with 296 mm diameter

www.grip.de/G11