

TH187-A-M-B
with locking ring



A: male diameter
M: with lock nut
B: female diameter

TH187-158-M-20



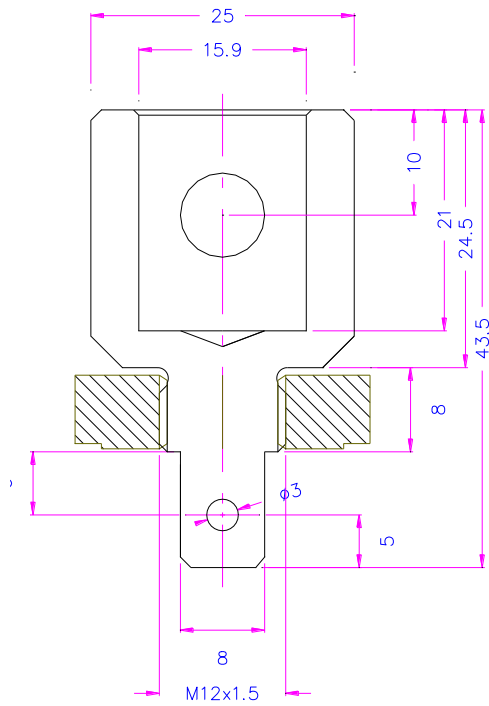
TH187-8-M-15.9



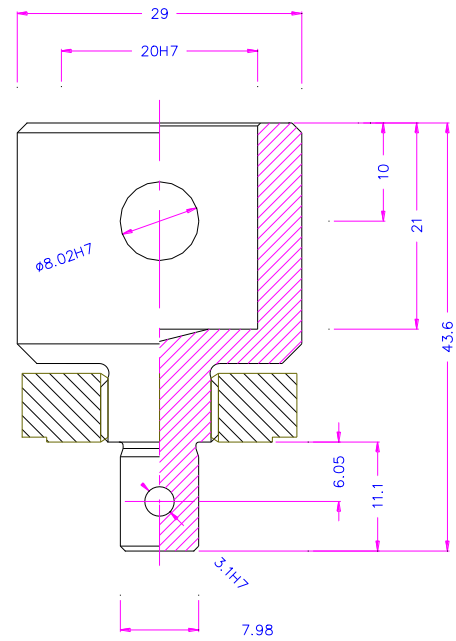
TH187-158-M-36/18



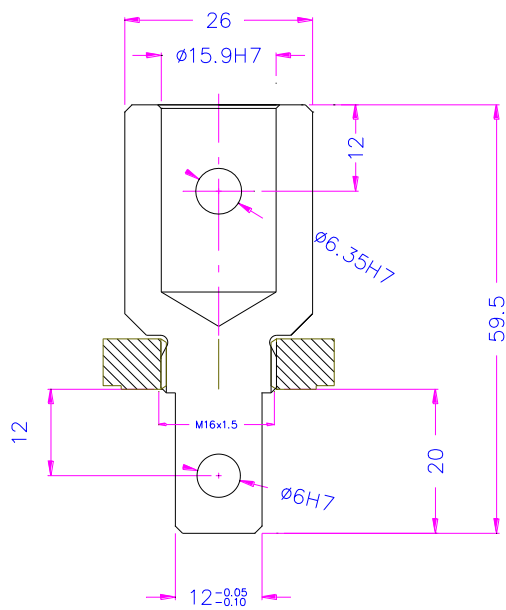
TH187-317-M-60/30/35



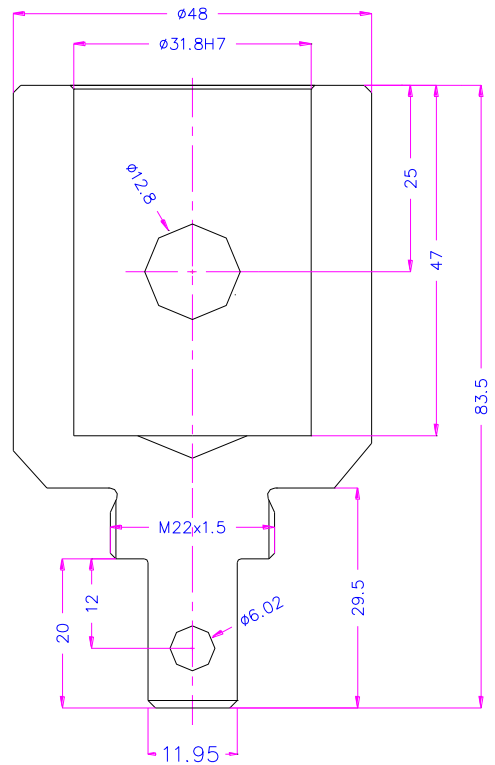
TH187-8-M-159



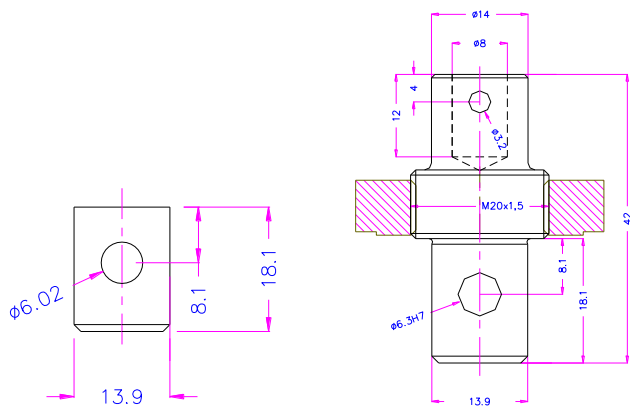
TH187-8-M-20



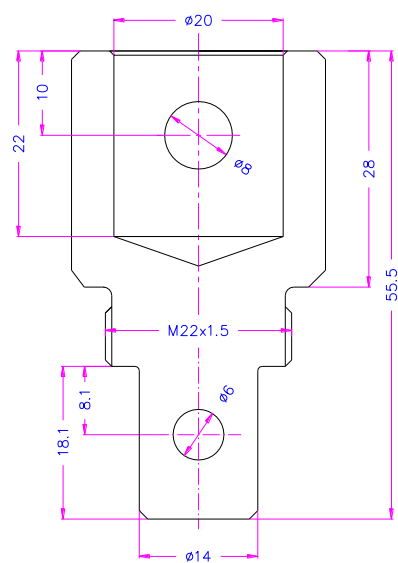
TH187-12/6-M-15.9/6.35



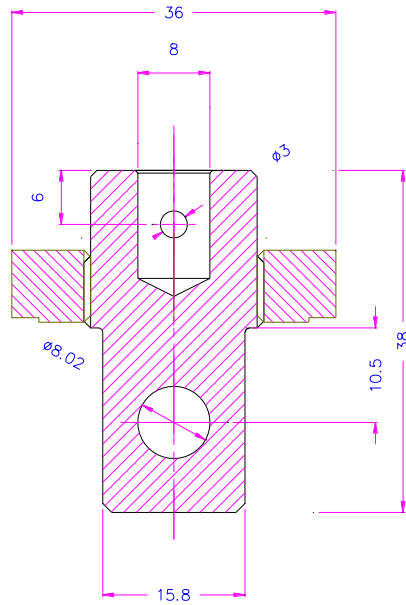
TH187-12/6-M-318 Adapter



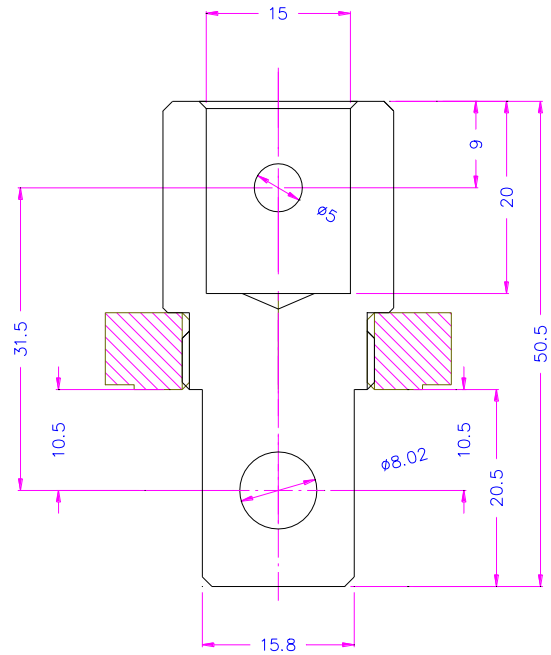
TH187-14-M-8



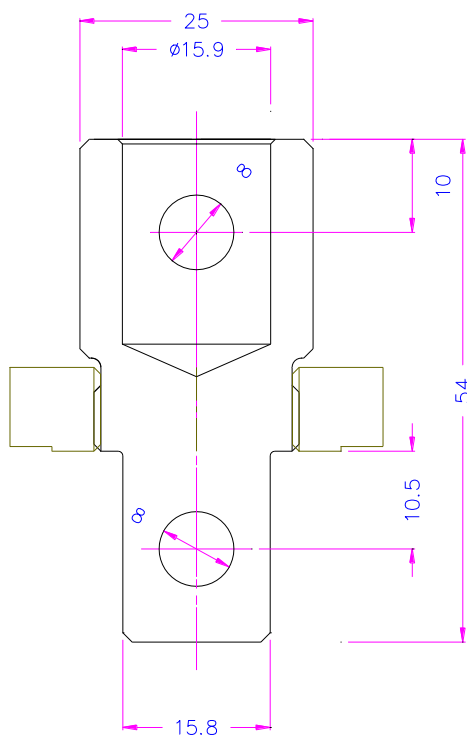
TH187-14-M-20 Adapter



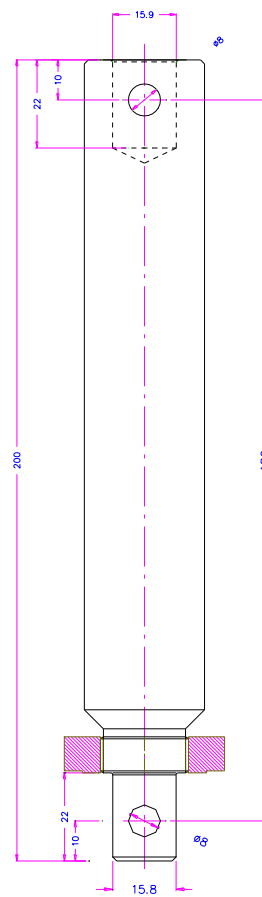
TH187-158-M-8



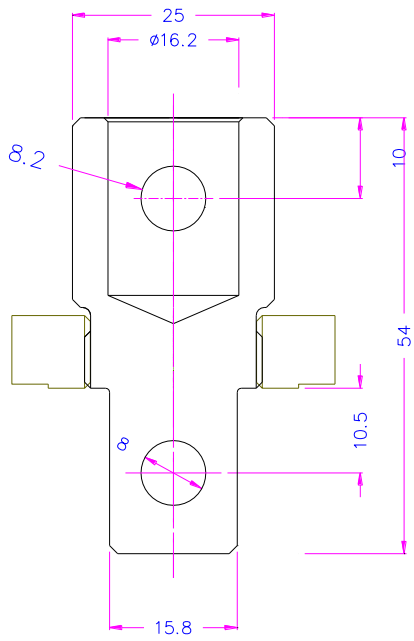
TH187-158-M-15



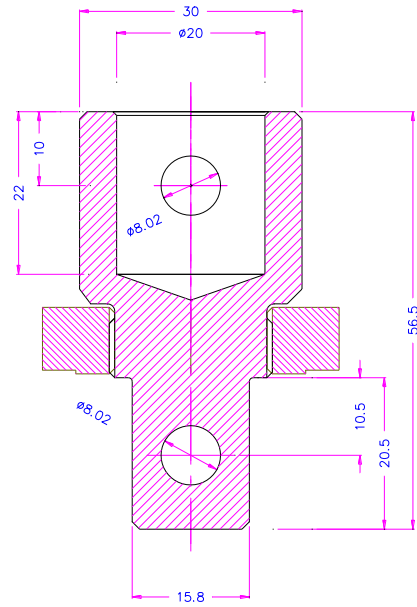
TH187-158-M-159



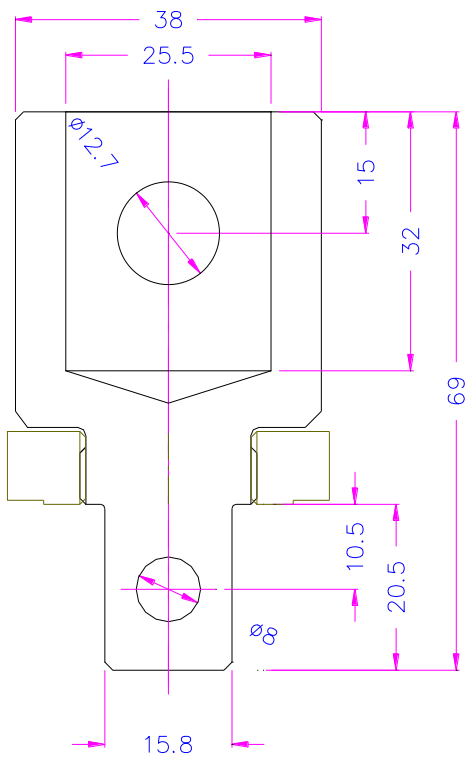
TH187-158-M-159-L180



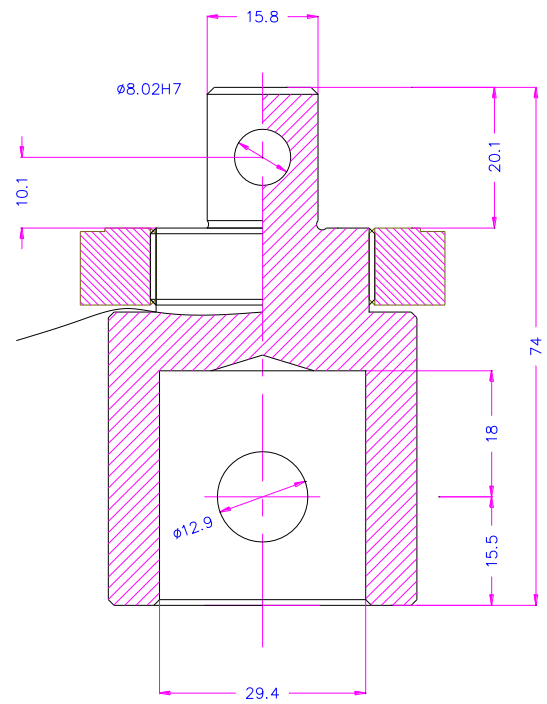
TH187-158-M-162./8.2



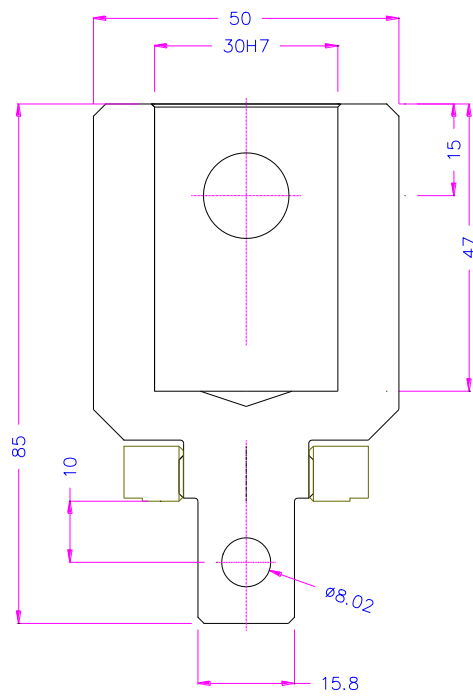
TH187-158-M-20



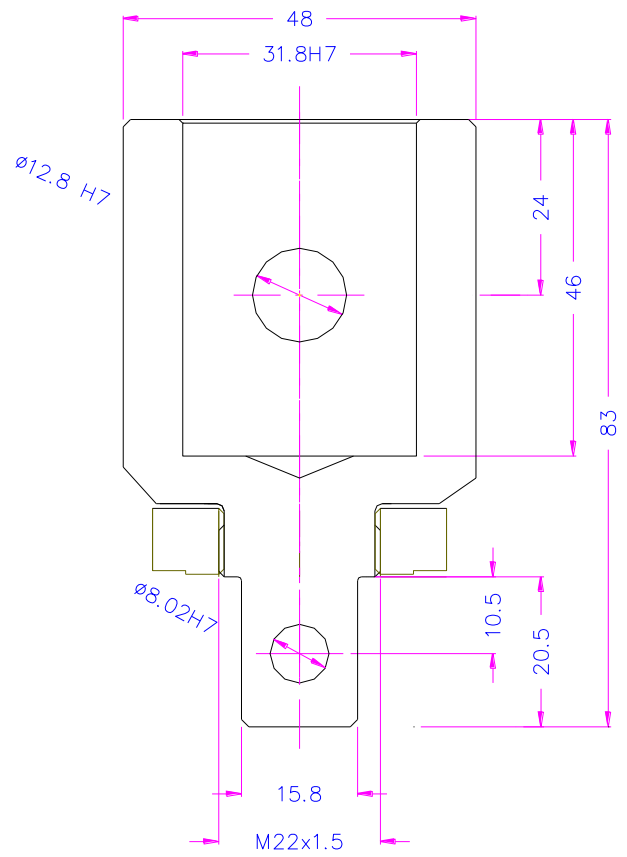
TH187-158-M-255



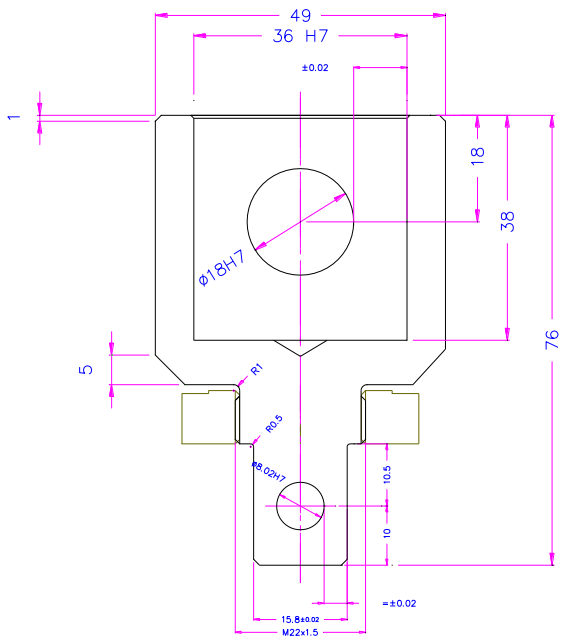
TH187-158-M-294



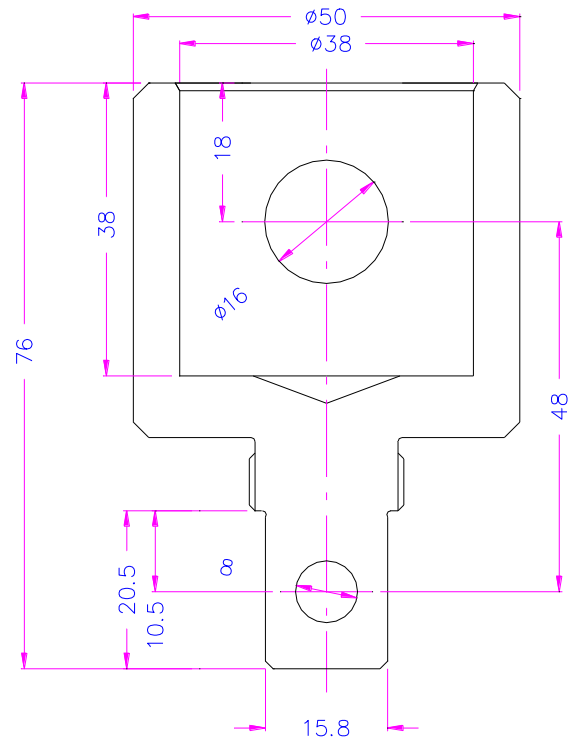
TH187-158-M-3014



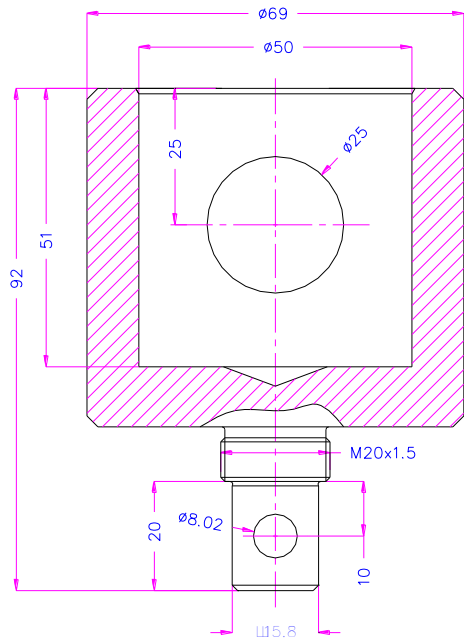
TH187-158-M-318



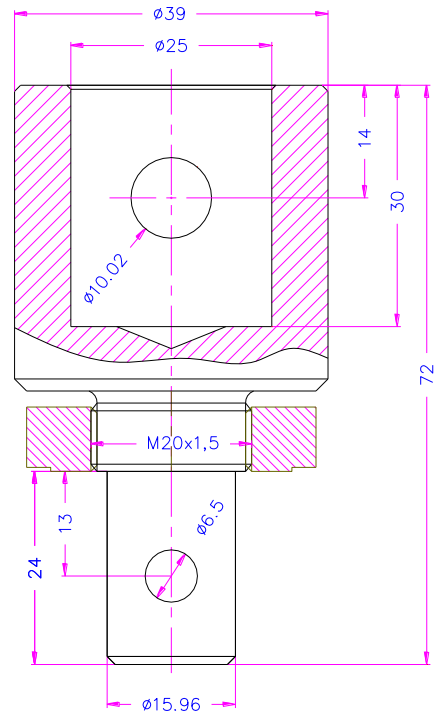
TH187-158-M-36



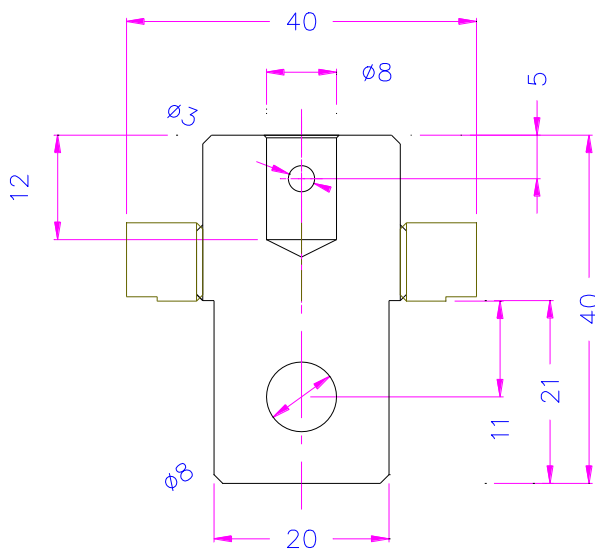
TH187-158-M-38



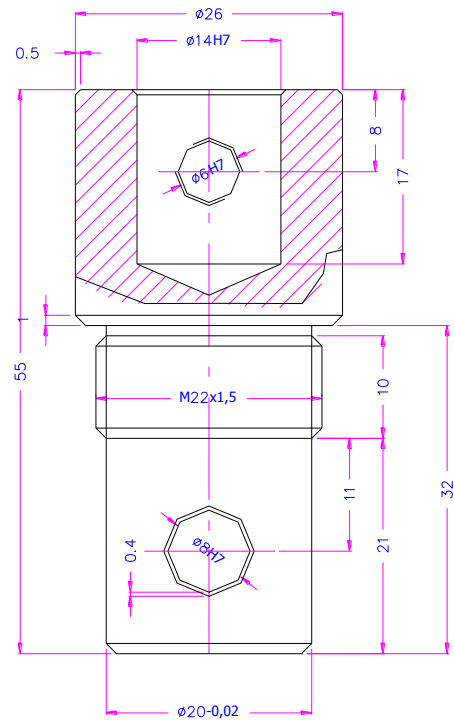
C45
TH187-158-M-50 Adapter



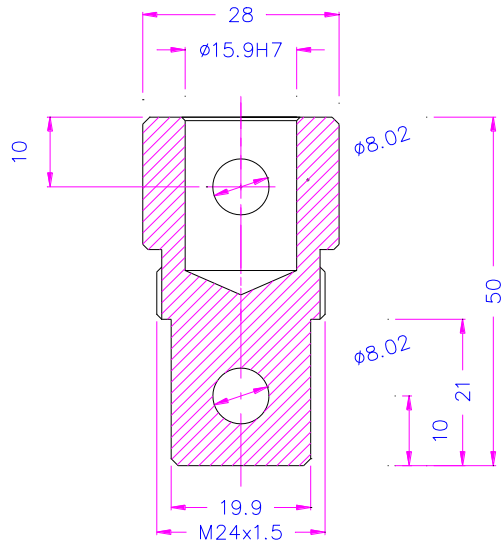
TH187-1665-M-25 Adapter



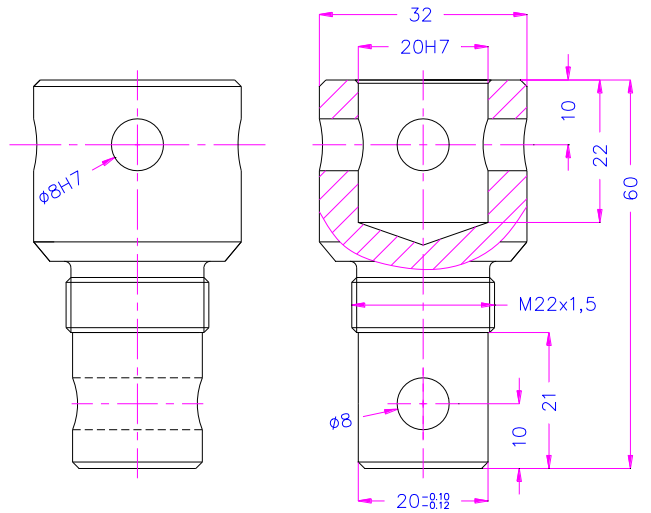
TH187-20-M-8



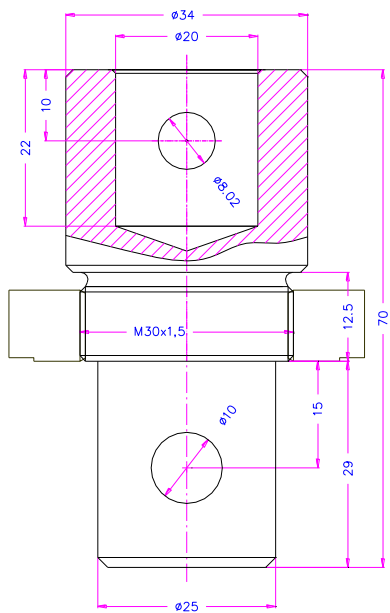
TH187-20-M-14



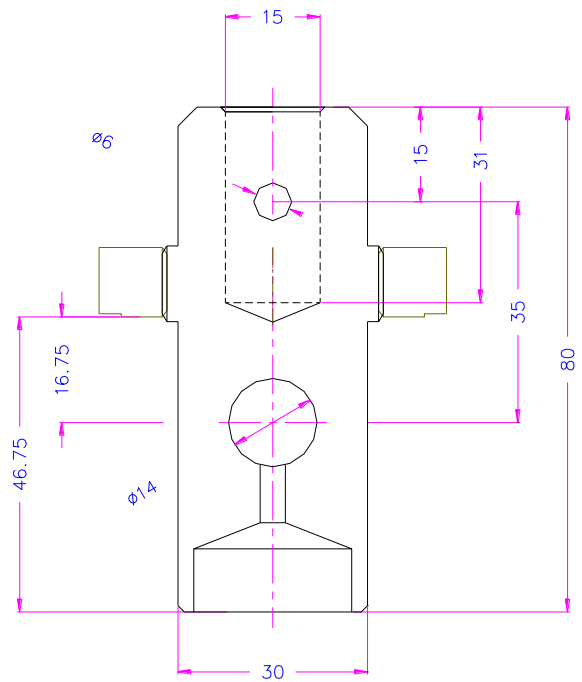
TH187-20-M-159



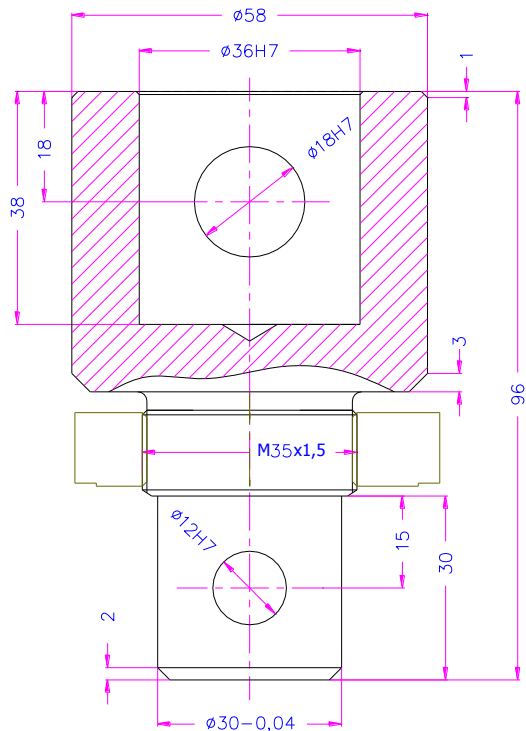
TH187-20-M-20-2L



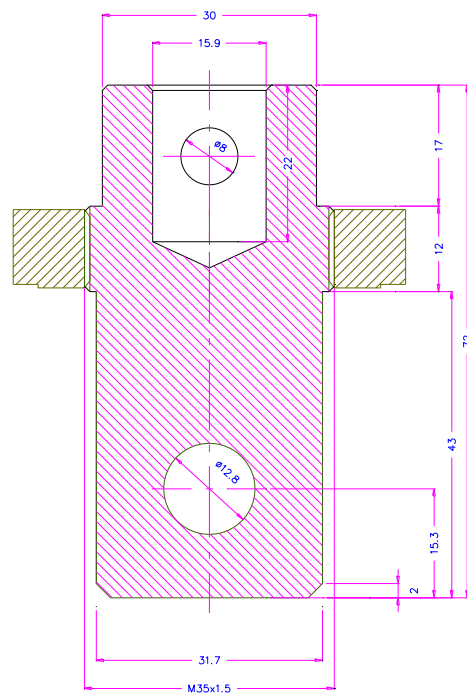
TH187-25-M-20



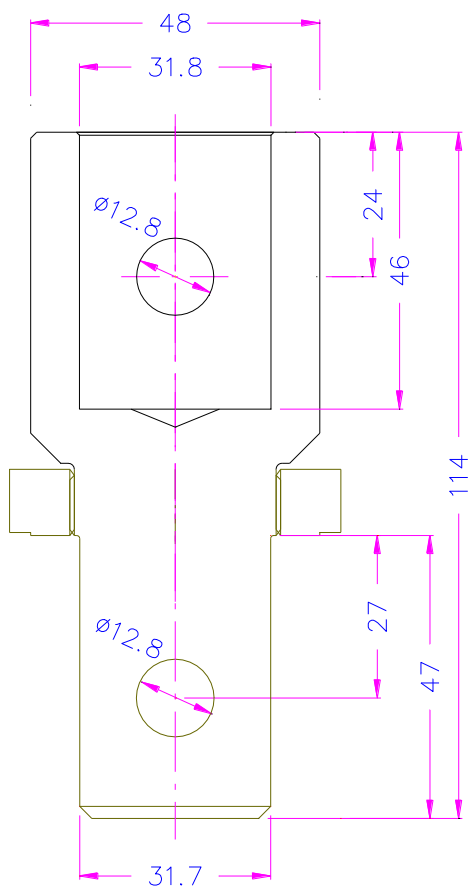
TH187-30-M-15
MTS



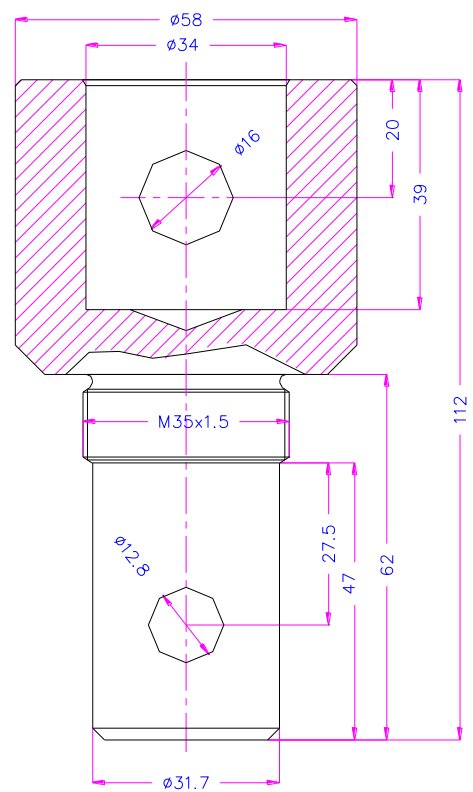
TH187-30-M-36 Adapter



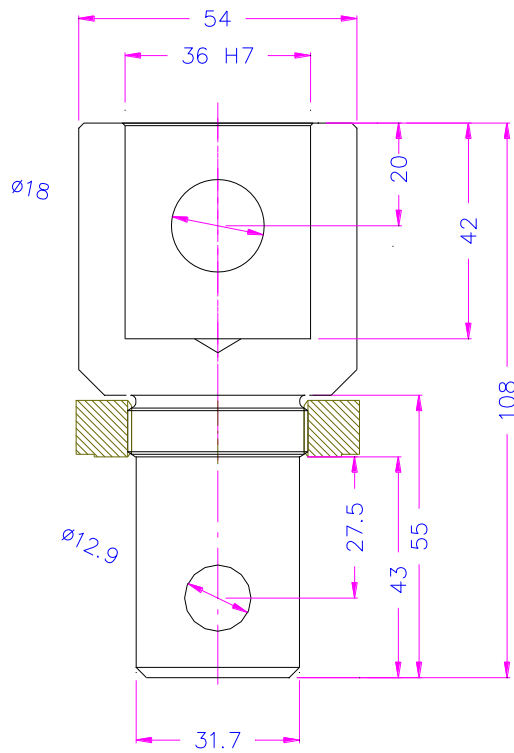
TH187-31.8-M-15.9



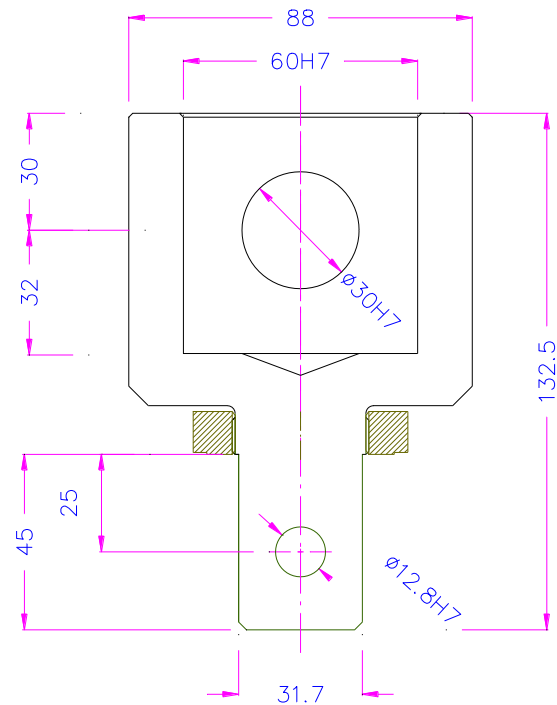
TH187-317-M-318



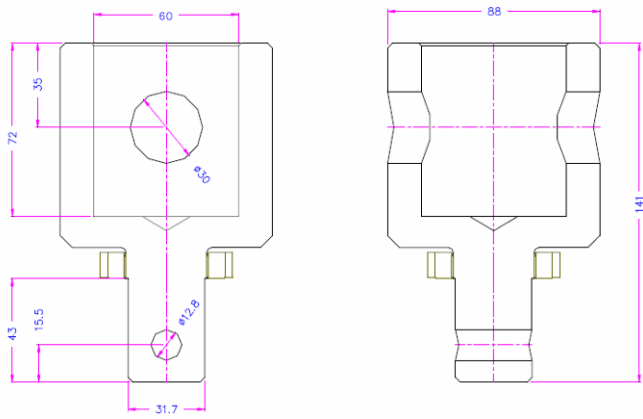
TH187-317-M-3416 Adapter



TH187-317-M-36

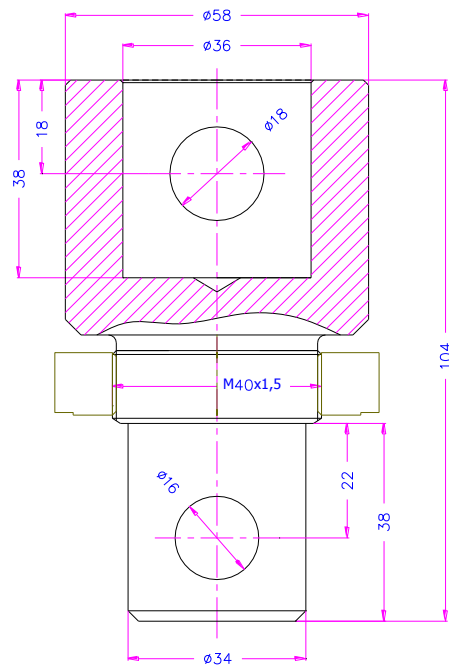


TH187-317-M-60



50kN

TH187-317-M-603035



TH187-34-M-36 Adapter



22.03.2018OI