

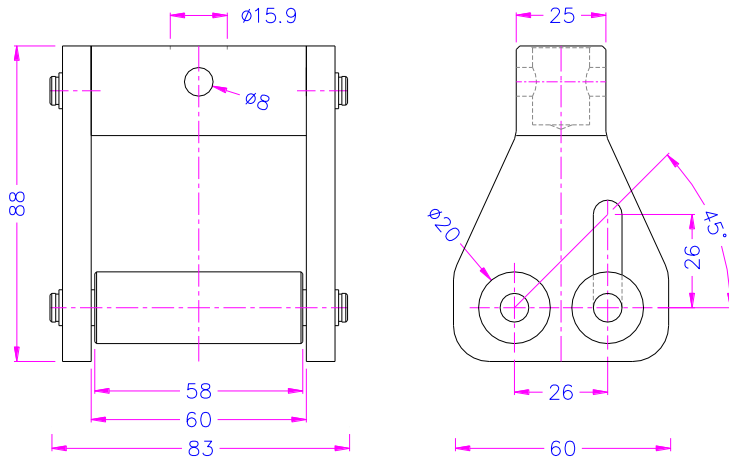
**90° PEEL GRIPS**

with adjustable height of the second roller from 0 to 45° to test adhesives.  
Floating roller peel method.

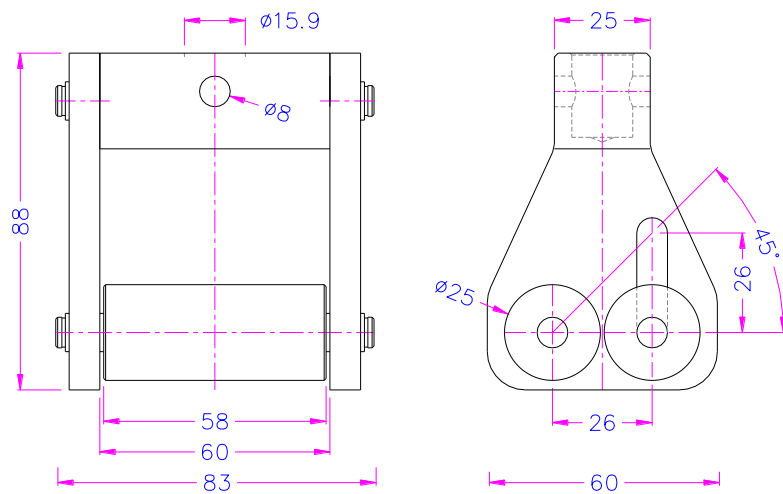
TH192-20-W60 conforms to DIN EN 1372: Test method for adhesives for floor and wall coverings - Peel test

**Item no.:** **TH192-20-26-W60** (to DIN EN1372)  
**TH192-25-26-W60**

Max. load capacity:	16 kN
Rollers:	20 mm Ø (TH192-20-26-W60) 25 mm Ø (TH192-25-26-W60)
Coupling:	Af159. Further couplings on request
Material:	Steel, nickel-plated
Temperature range:	0 ... +70°C Further temperature ranges on request
Weight:	1 kg each grip
Scope of supply:	1 grip. Additional lower grip is required for test (not included in price).

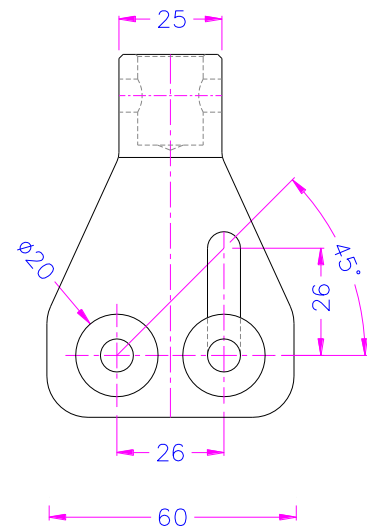
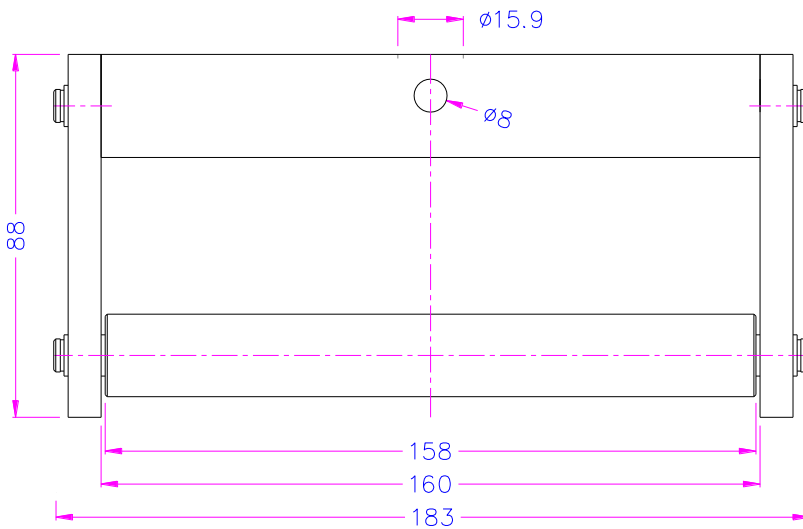


TH192-20-26-W60

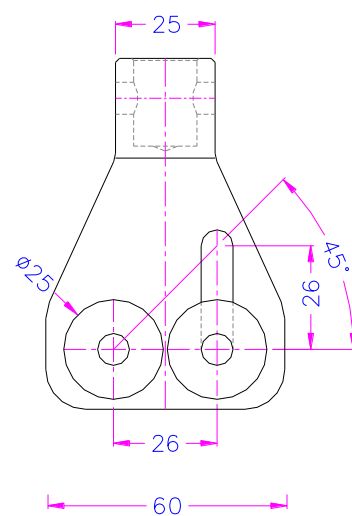
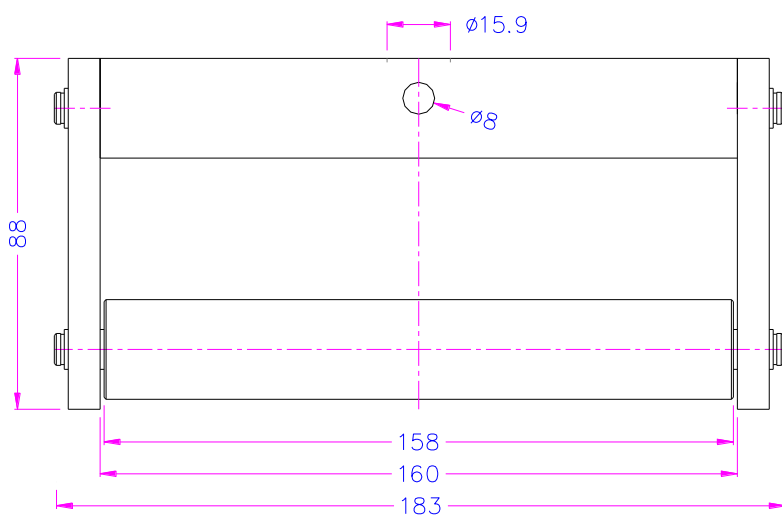


TH192-25-26-W60

<b>Item no.:</b>	<b>TH192-20-26-W160</b> <b>TH192-25-26-W160</b>
Max. load capacity:	8 kN
Rollers:	20 mm Ø (TH192-20-26-W160) 25 mm Ø (TH192-25-26-W160)
Coupling:	Af159. Further couplings on request
Material:	Steel, nickel-plated
Temperature range:	0 ... +70°C Further temperature ranges on request
Weight:	1.9 kg each grip
Scope of supply:	1 grip. Additional lower grip is required for test (not included in price).



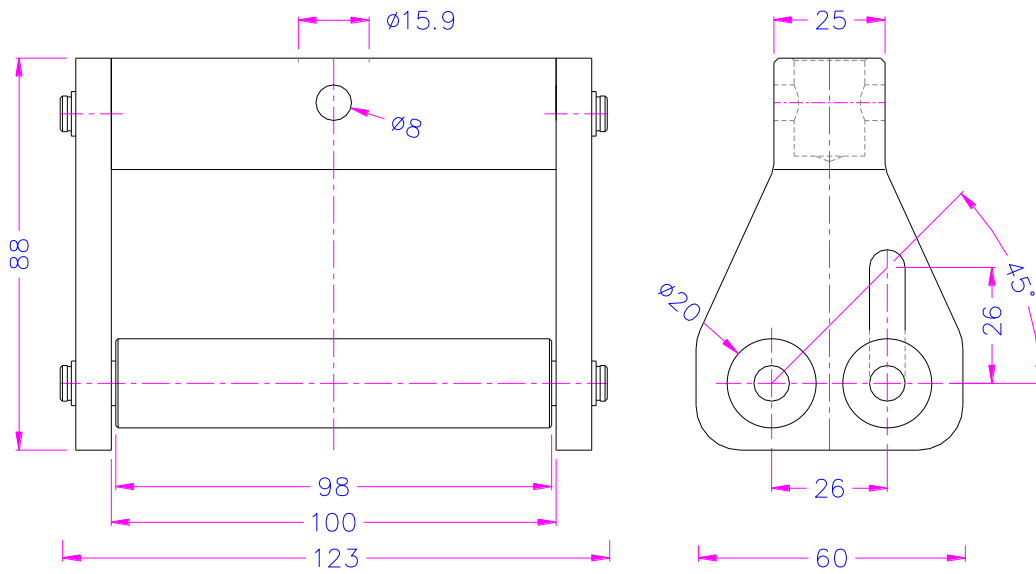
TH192-20-26-W160



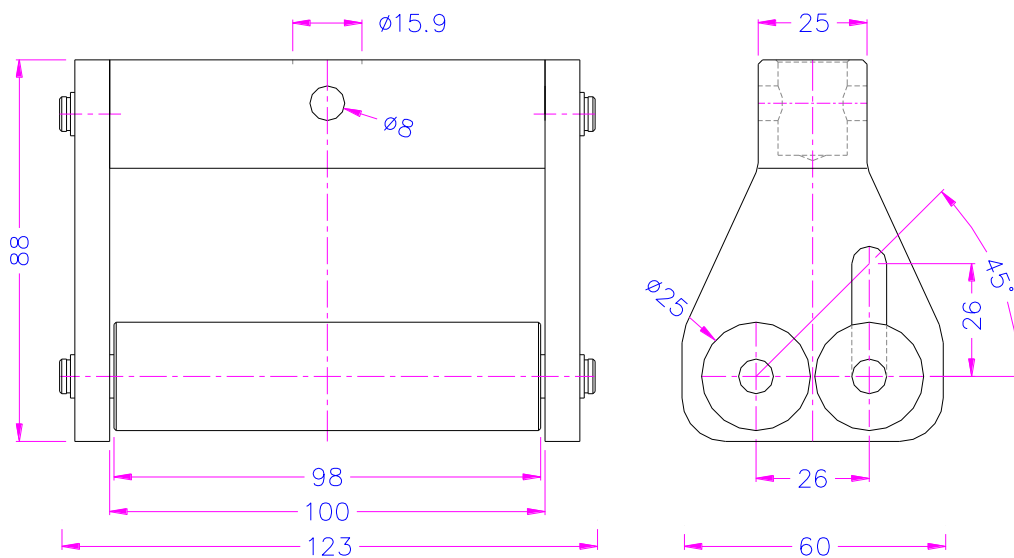
TH192-25-26-W160

**Item no.:** TH192-20-26-W100  
TH192-25-26-W100

Max. load capacity: 12 kN  
 Rollers: 20 mm Ø (TH192-20-26-W100)  
 25 mm Ø (TH192-25-26-W100)  
 Coupling: Af159. Further couplings on request  
 Material: Steel, nickel-plated  
 Temperature range: 0 ... +70°C  
 Further temperature ranges on request  
 Weight: 1.5 kg each grip  
 Scope of supply: 1 grip. Additional lower grip is required for test (not included in price).



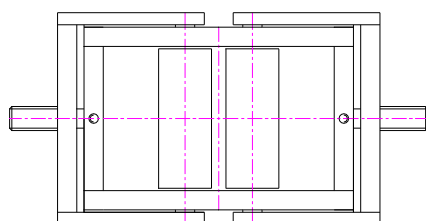
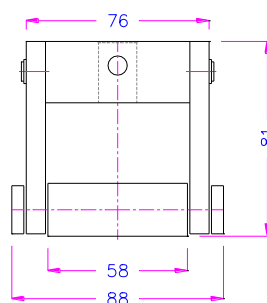
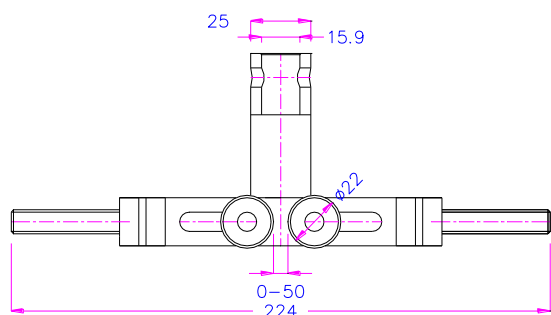
TH192-20-26-W100



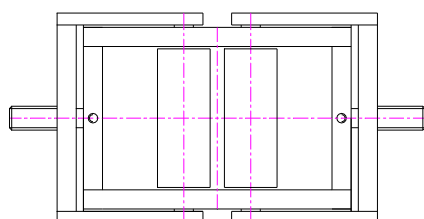
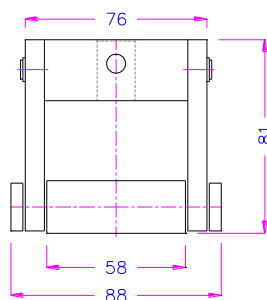
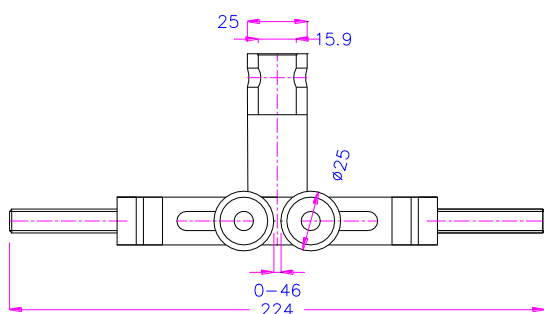
TH192-25-26-W100

Peel test fixtures with adjustable distance between rollers to test samples 0-50 mm (TH192-22-2V) or 0-46 mm (TH192-25-2V) thick.

<b>Item no.:</b>	<b>TH192-22-2V</b> <b>TH192-25-2V</b>
Max. load capacity:	12 kN
Rollers:	22 mm Ø (TH192-22-2V) 25 mm Ø (TH192-25-2V)
Coupling:	Af159. Further couplings on request
Material:	Steel, nickel-plated
Temperature range:	0 ... +70°C Further temperature ranges on request
Weight:	1.6 kg
Scope of supply:	1 grip. Additional lower grip is required for test (not included in price).



TH192-22-2V



TH192-25-2V

**Customized solutions:****TH192-D25-A35-H100**

Peel fixture with an adjustable peel angle (from 90° to 110°) and height 100 mm for thicker samples.

Rollers 25 mm Ø

Distance between roller centers 35 mm

Max. sample carrier thickness 30 mm

Max. sample peel-off thickness 10 mm

**TH192-25-2-200-100-4R**

peel fixture for samples 120x180 mm, like e.g. foam

4 rollers 25 mm Ø

2 rollers with adjustable height

**Recommendation for lower grip:**

Item no.: TH240k+BP



[TH240k Data sheet.pdf](#)

