

TH193-V1 SHEAR TEST FIXTURE

Parallel

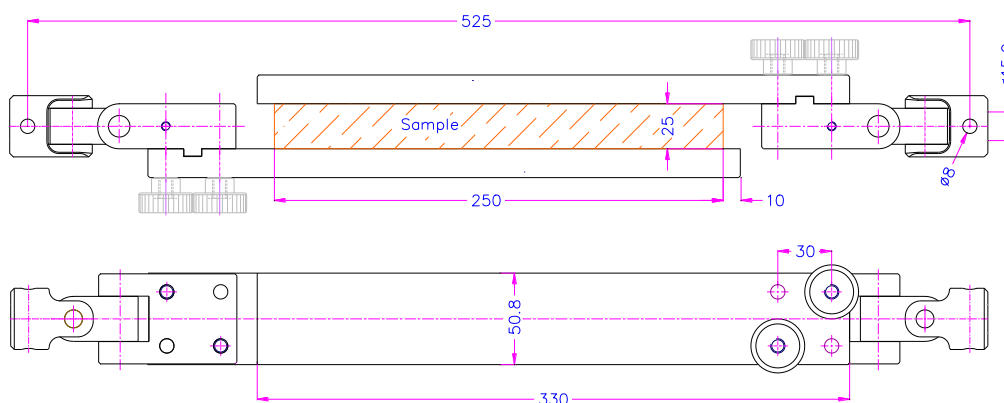
Conforms to
ISO 1922, EN 12090-Fig.1

Coupling Af15.9 mm or Af31.8 mm
(other couplings on request)

Max. load 20 kN (with Af15.9) or 35 kN (with Af31.8)

Steel

Scope of delivery: 1 pair



TH193-V1-Af159

TH193-V2 SHEAR TEST FIXTURE

Angle

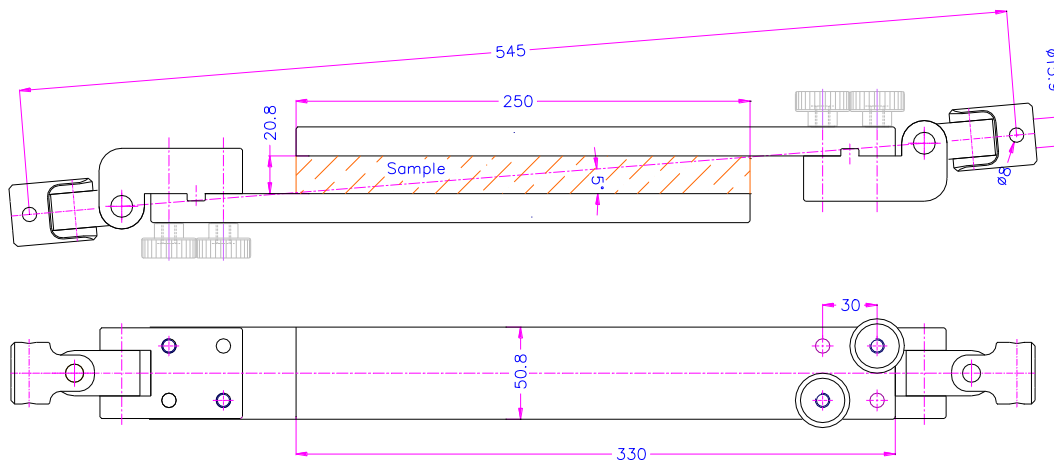
Conforms to ASTM-C273-Fig. 2, ASTM-C394

Coupling Af15.9 mm or Af31.8 mm
(other couplings on request)

Max. load 20 kN (with Af15.9) or 35 kN (with Af31.8)

Steel

Scope of delivery: 1 pair



TH193-V2-Af159

**TH193-V4
SHEAR TEST FIXTURE**

Adjustable

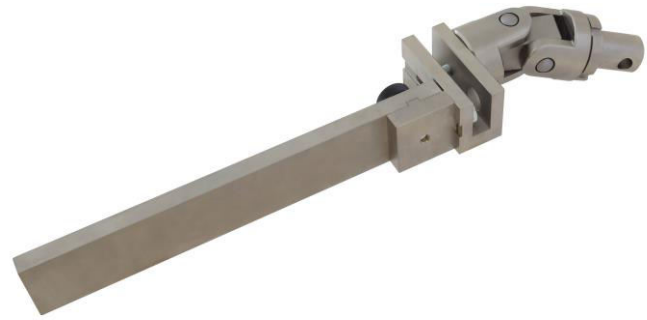
Conforms to
NFT 54-605, ISO1922,
ASTM-C273, EN12090-Fig.1

Coupling Af31.8 mm
(other couplings on request)

Max force capacity:
50 kN for samples 51-110 mm thick (with Af31.8)
75 kN for samples 11-50 mm thick
100 kN for samples 0-10 mm thick

Steel

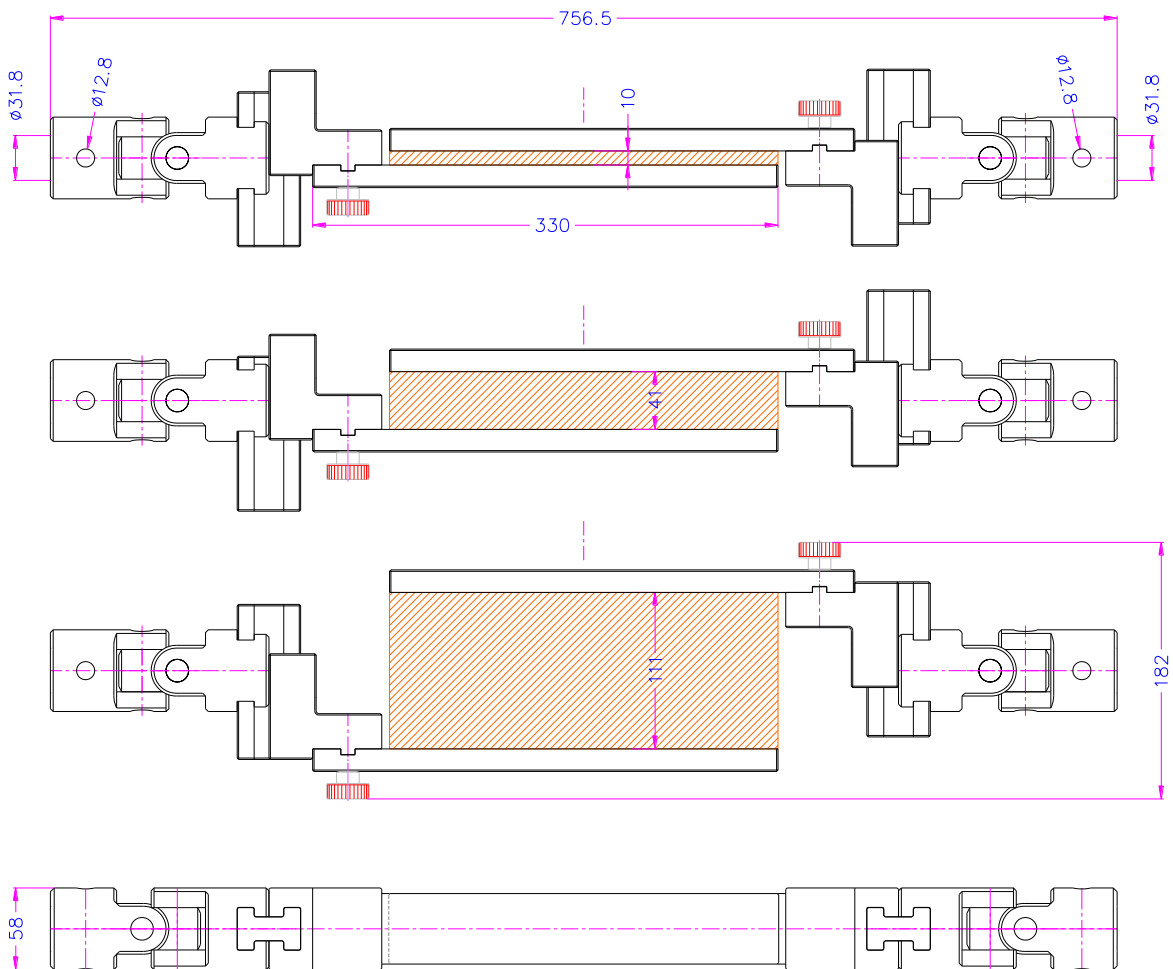
Scope of delivery: 1 pair



TH193-V4-Am317 right part



TH193-V4 without adapter

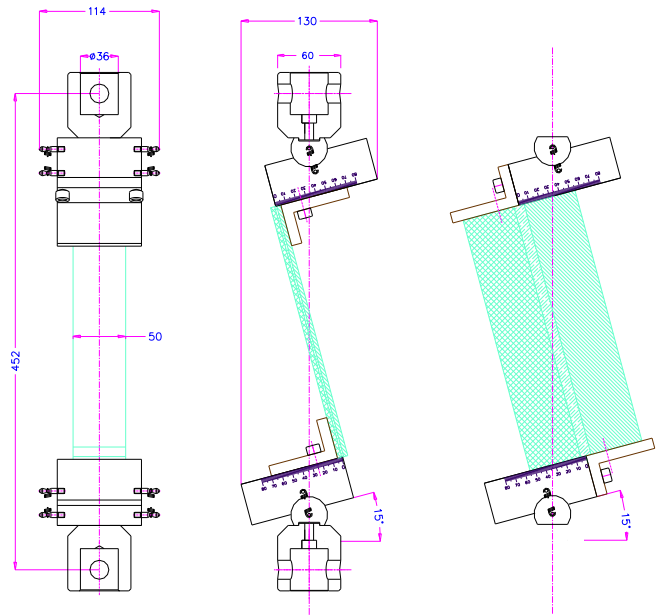


TH193-V4-Af318

Examples for customized solutions:

TH193-V5

Compression shear test fixture with scale and stop, adjustable

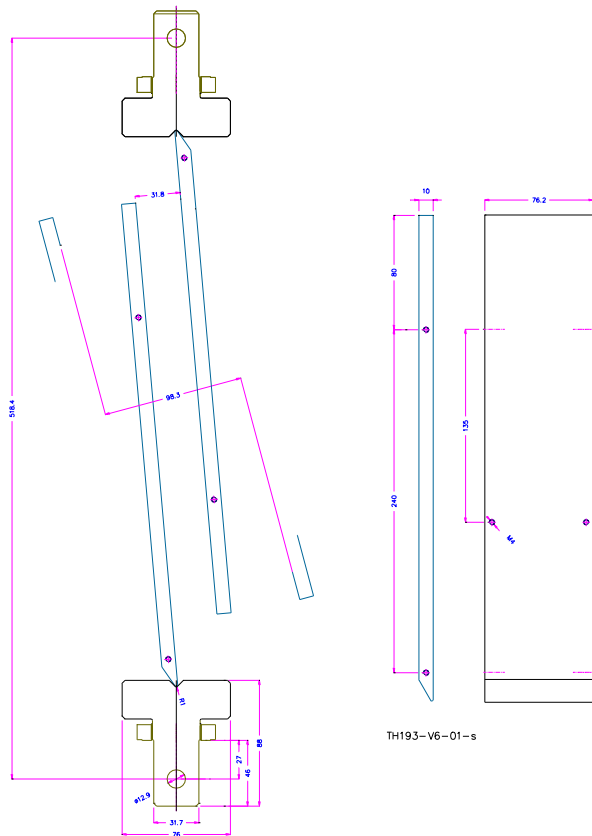


TH193-V5-Af36

TH193-V6

Compression shear test fixture, not adjustable

According to ASTM-C273-Fig.3 and DIN 53294



TH193-V6-01-s

TH193-V6-Am317