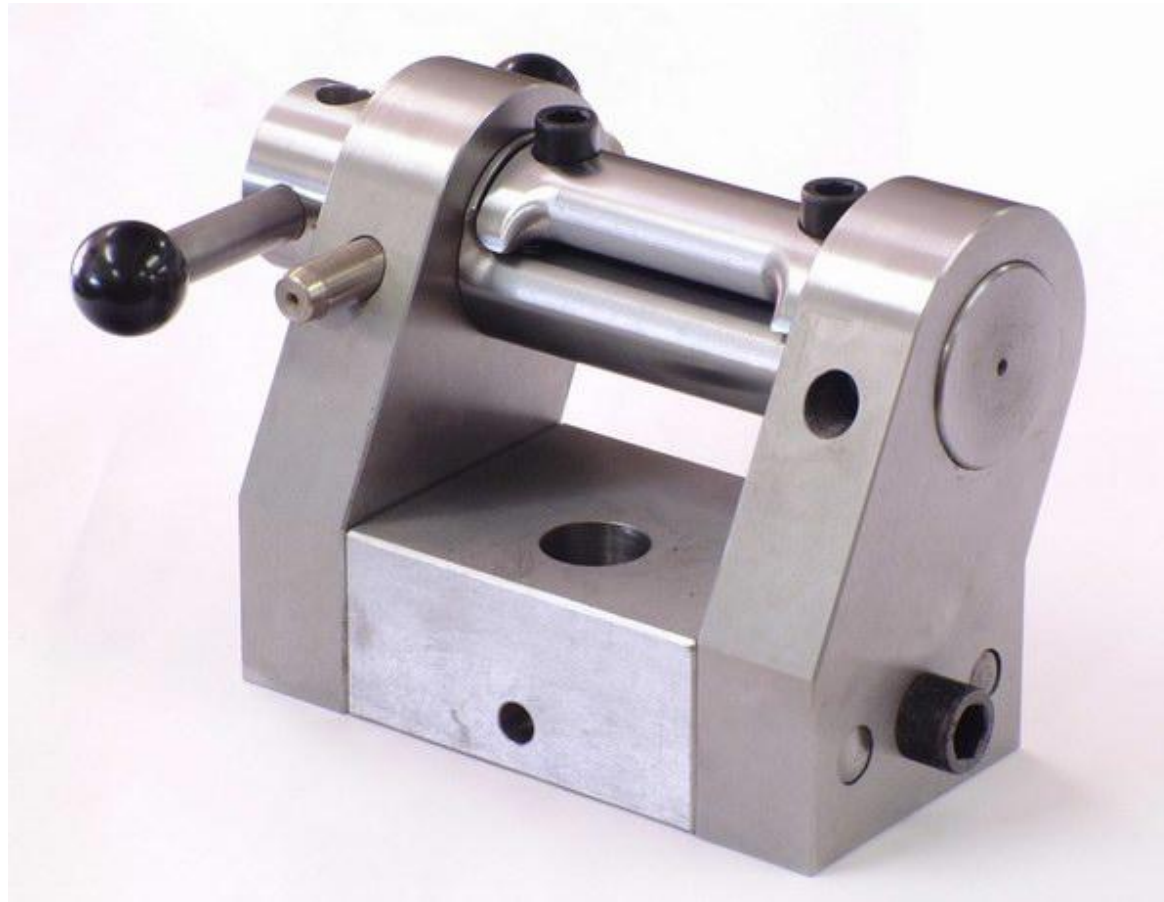


TH221 Ribbon grip with split-drum closing



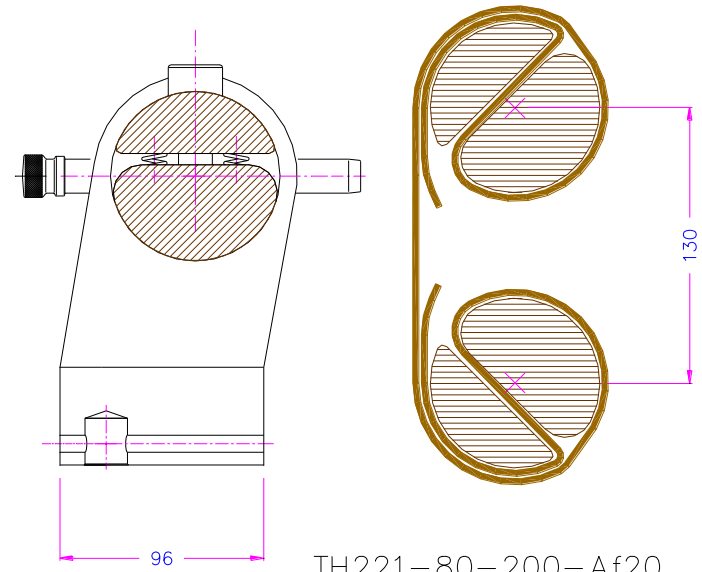
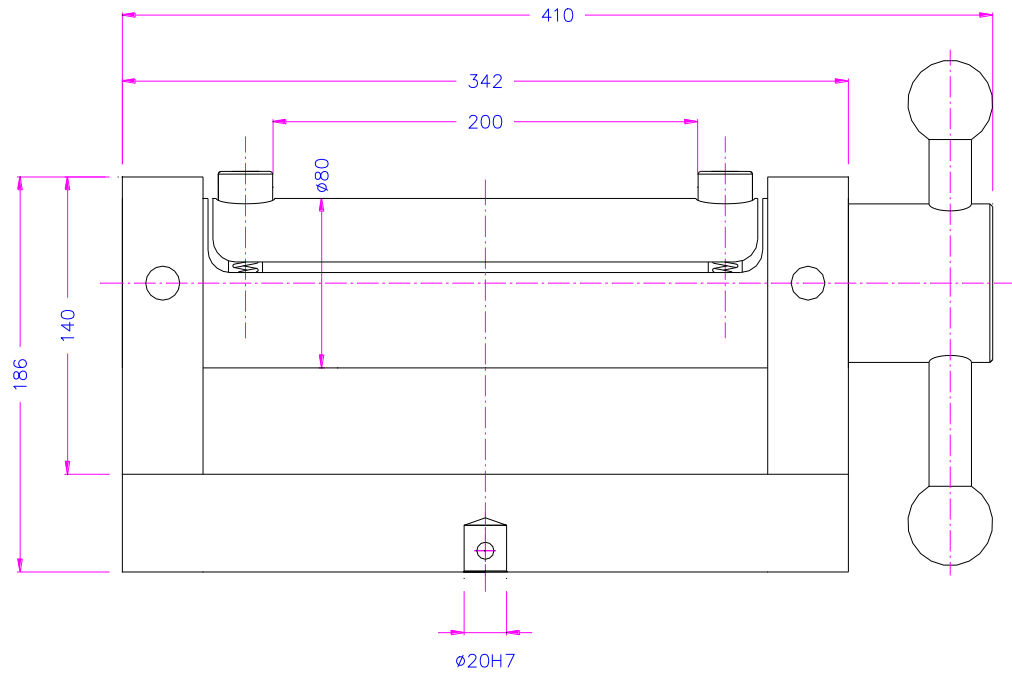
TH221-60-80 diameter 60mm inner width 80mm



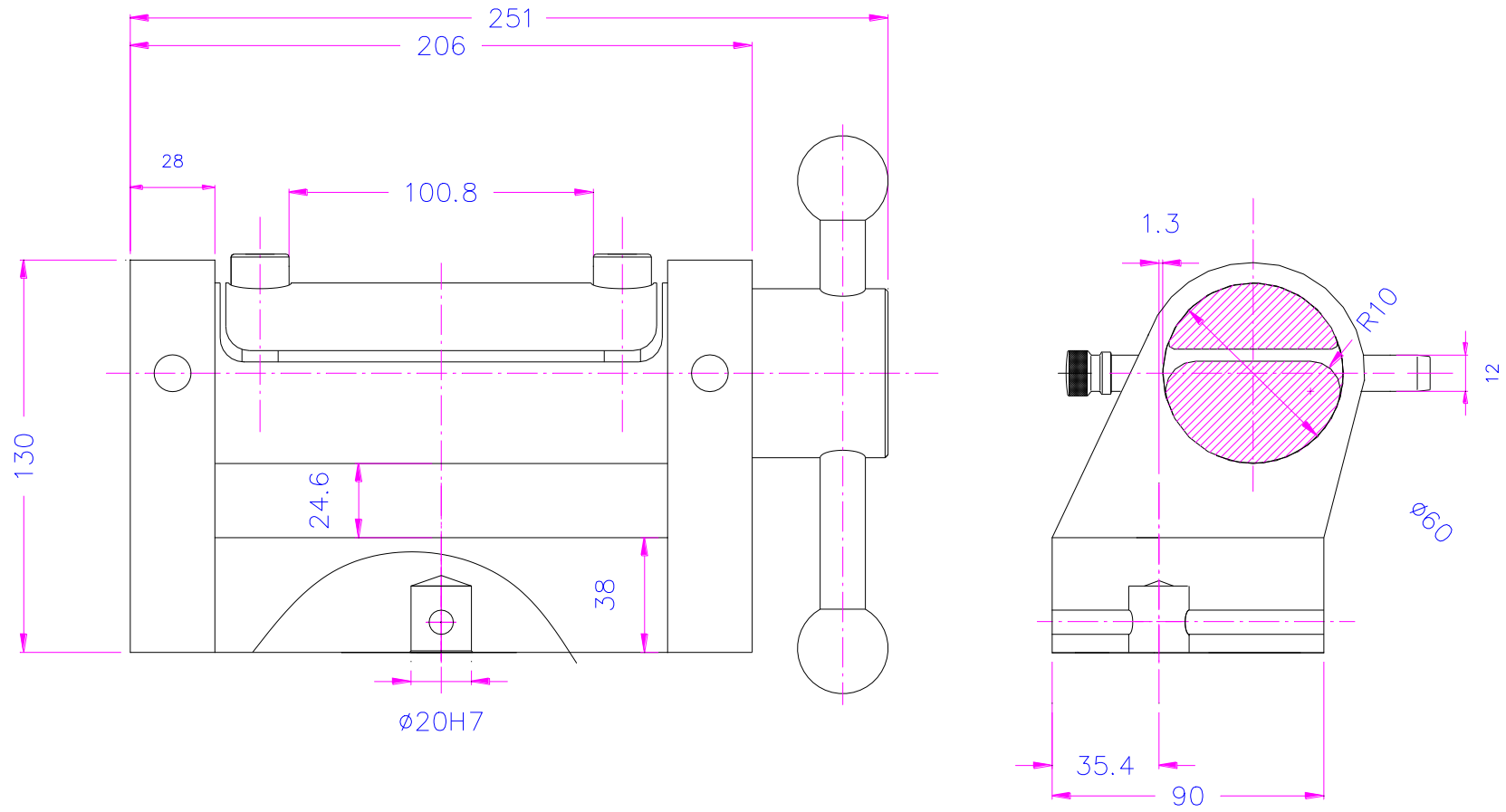
TH221-80-100



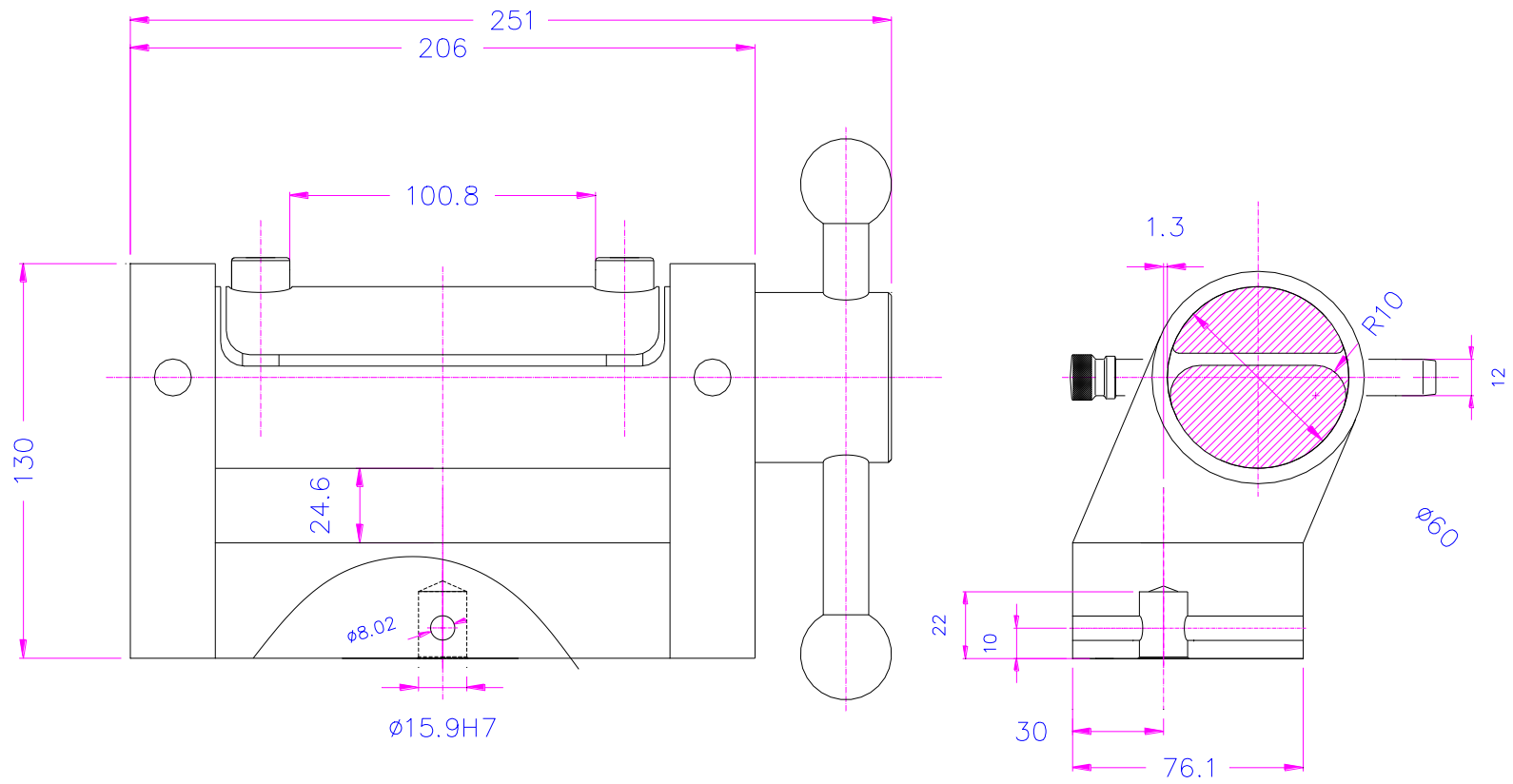
TH221-60-150-KSU with kurlled surface



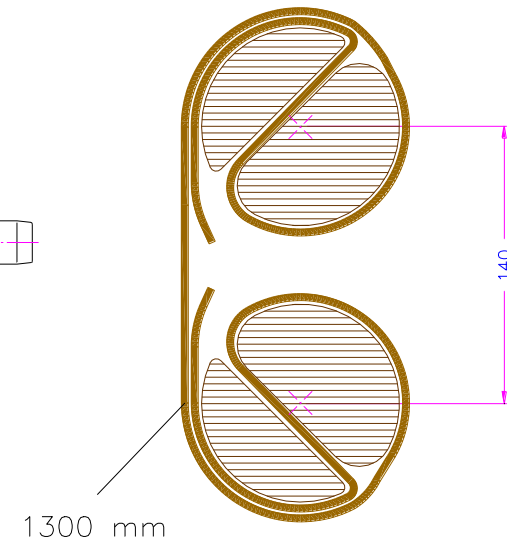
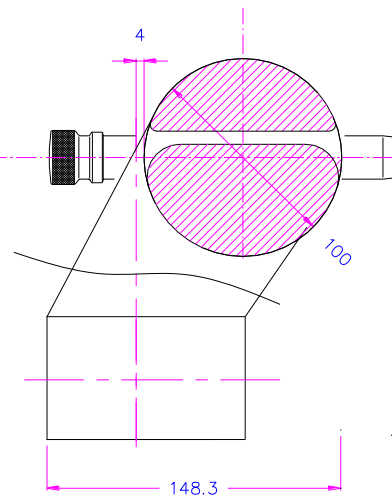
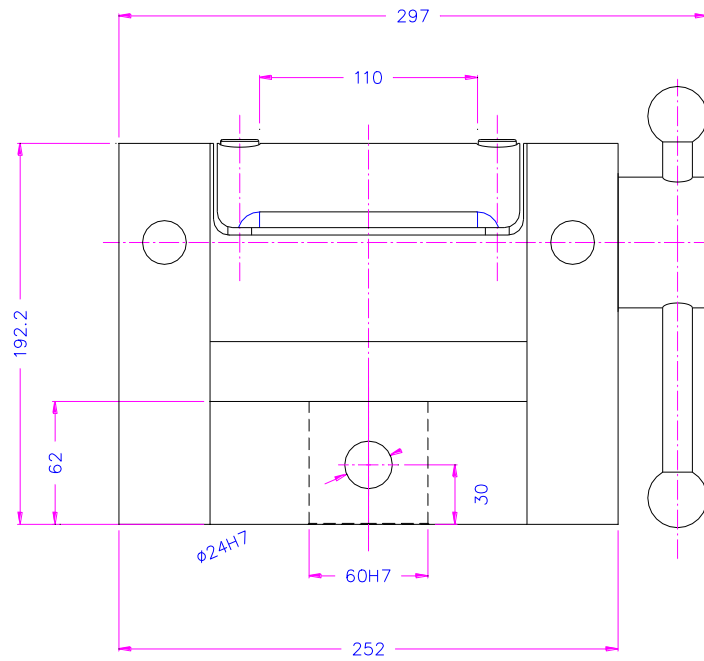
TH221-80-200-Af20



TH221-D60-W100-Af20



TH221-60-100-159



TH221-D100-W110-Af60

TH221-80x250

ribbon grip for ribbon 250mm width
Ribbon must be 600mm Minimum

TH221-80x250

Bänderspannzeug für Bänder 250mm breit LZ 5 Wochen
das Band muss mindestens 600m lang sein

