

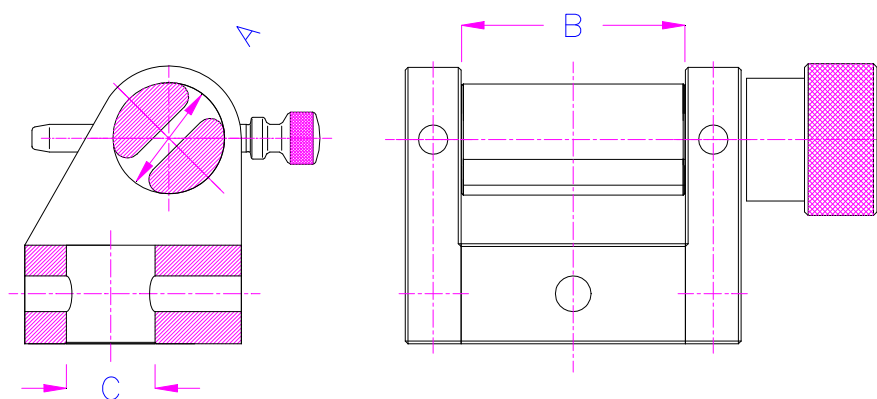
## Ribbon grips

TH222 ribbon grips are applicable for soft and flexible samples – ribbons, fabrics etc.

Depending on the friction coefficient of the sample, the sample will be wrapped once or multiple times around the roll.

Temperature range: -40 ... +350°C  
Further temperature ranges on request.

Order information:  
TH222 are supplied in pairs, but can also be ordered as a single grip (0.5 pair).



	TH222-30-80	TH222-40-80	TH222-60-80	TH222-60-100	TH222-60-120	TH222-80-120
<b>Tensile force</b>	20 kN	50 kN	100 kN	100 kN	100 kN	100 kN
<b>A: Roll diameter Ø</b>	30 mm	40 mm	60 mm	60 mm	60 mm	80 mm
<b>B: Max. sample width</b>	80 mm	80 mm	80 mm	100 mm	120 mm	120 mm
<b>Max. thickness</b>	5 mm	7 mm	11 mm	11 mm	11 mm	11 mm
<b>Min. sample length</b>	460 mm	600 mm	910 mm	910 mm	910 mm	1160 mm
<b>C: Coupling*</b>	Af159*	Af318*	Af40*	Af40*	Af40*	Af40*
<b>Weight /grip</b>	2.3 kg	4.5 kg	7.3 kg	8.1 kg	8.8 kg	15 kg

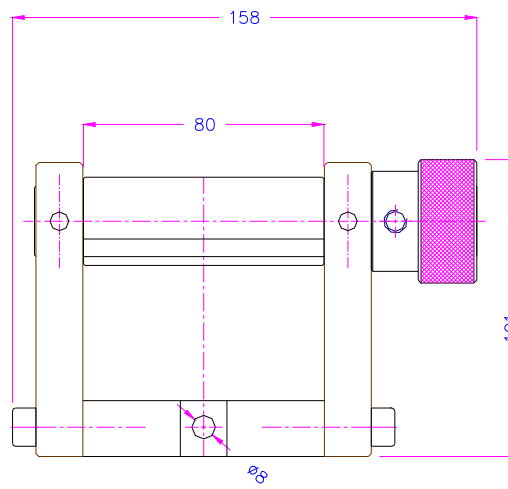
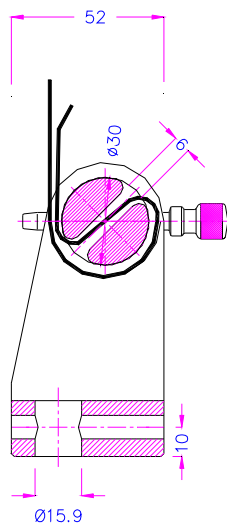
\*Further couplings on request.



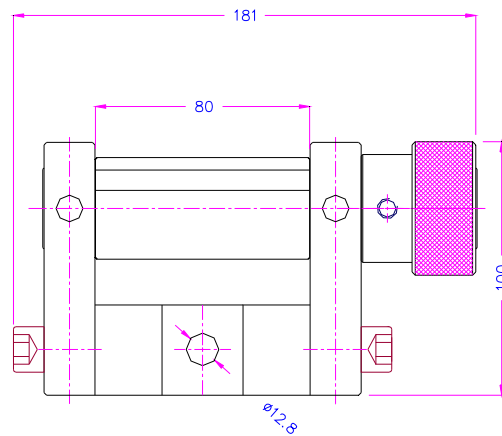
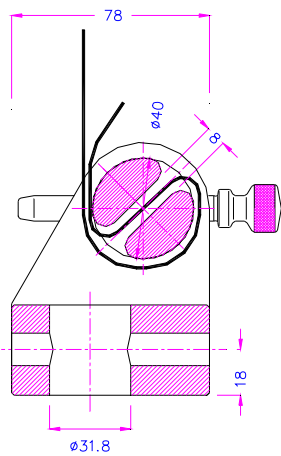
TH222-30-80



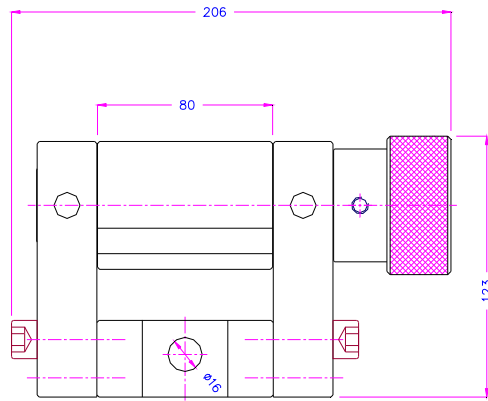
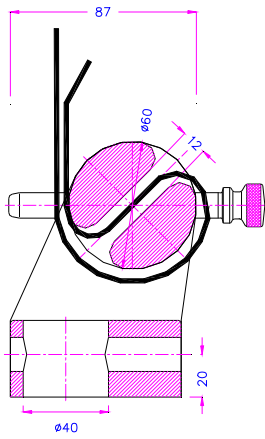
TH222-60-80



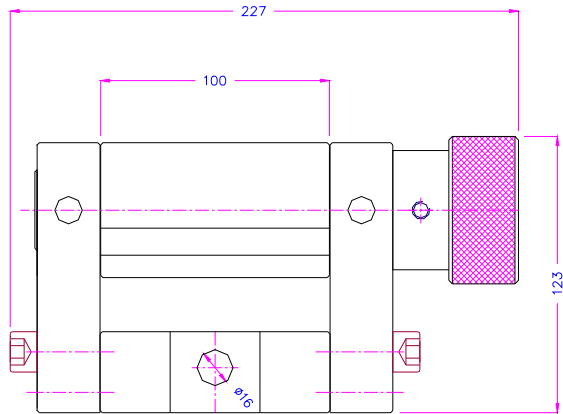
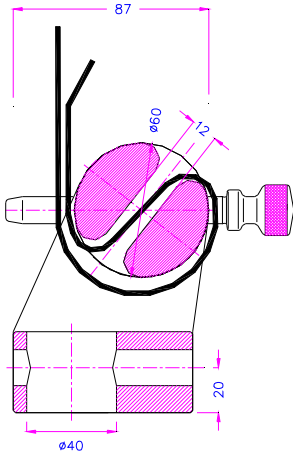
TH222-30-80



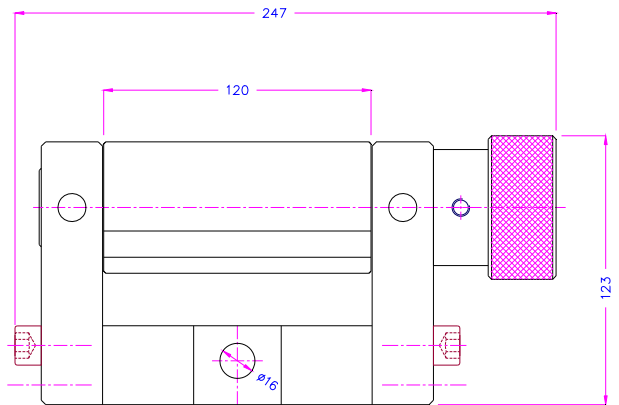
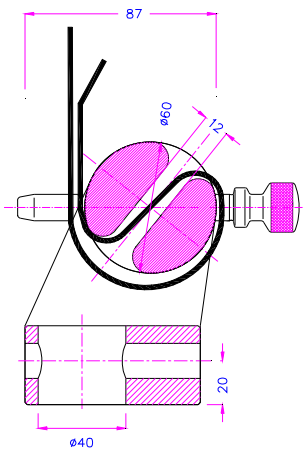
TH222-40-80



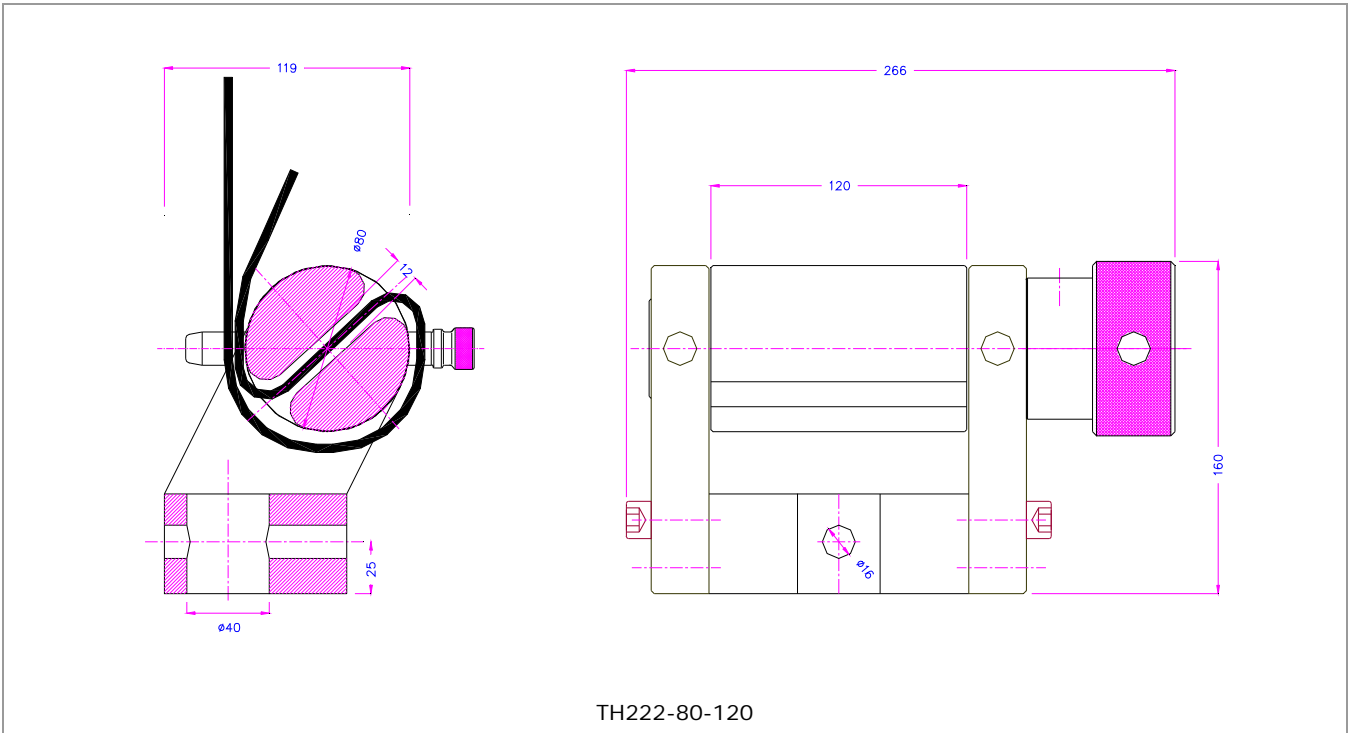
TH222-60-80



TH222-60-100



TH222-60-120



TH222-80-120

Examples for customized versions

	<p>TH222-6-40                  Ø Roll 6 mm                  40 mm width                  Special small version</p>		<p>TH222-100-80-AL                  Ø Roll 100 mm                  80 mm width                  Aluminum</p>
	<p>TH222-150-160                  Ø Roll 150 mm                  160 mm width                  300 kN</p>		<p>TH222-60-310                  Ø Roll 60 mm                  310 mm width                  Steel Nickel</p>

Videos of tensile tests with TH222



TH222-40-80 with textile ribbon

<http://www.youtube.com/watch?v=Vyo8sKI43PQ>



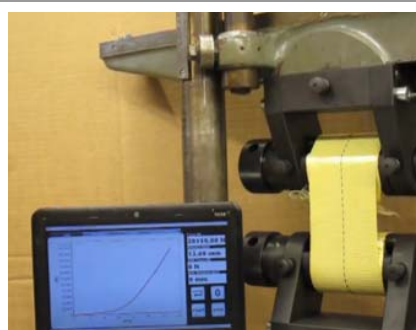
TH222-40-80 with plastic ribbon

<http://www.youtube.com/watch?v=MrfqHJMWg80>



TH222-30-80 with plastic strap

<http://www.youtube.com/watch?v=agRoJ1u7OhY>



TH222-80-120 for ribbon

[http://youtu.be/OKPv\\_ARGHP8](http://youtu.be/OKPv_ARGHP8)



How to insert and fix a ribbon in TH222

[http://youtu.be/x-fp\\_RYyV6c](http://youtu.be/x-fp_RYyV6c)

[https://youtu.be/0orDY3cG\\_nQ](https://youtu.be/0orDY3cG_nQ)

