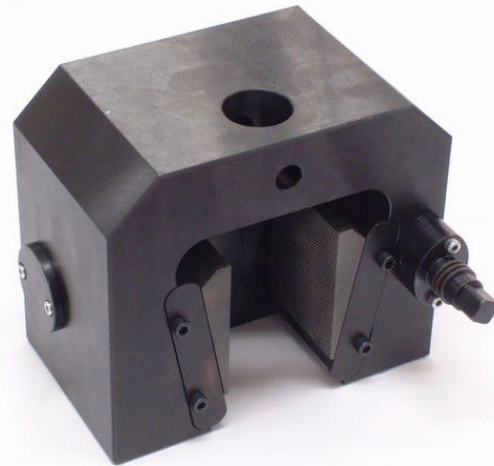
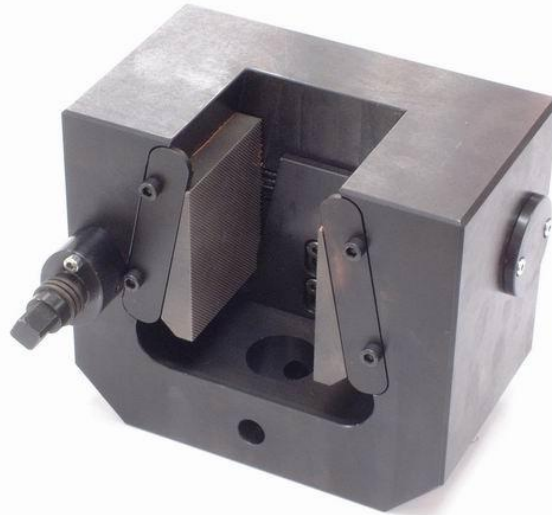
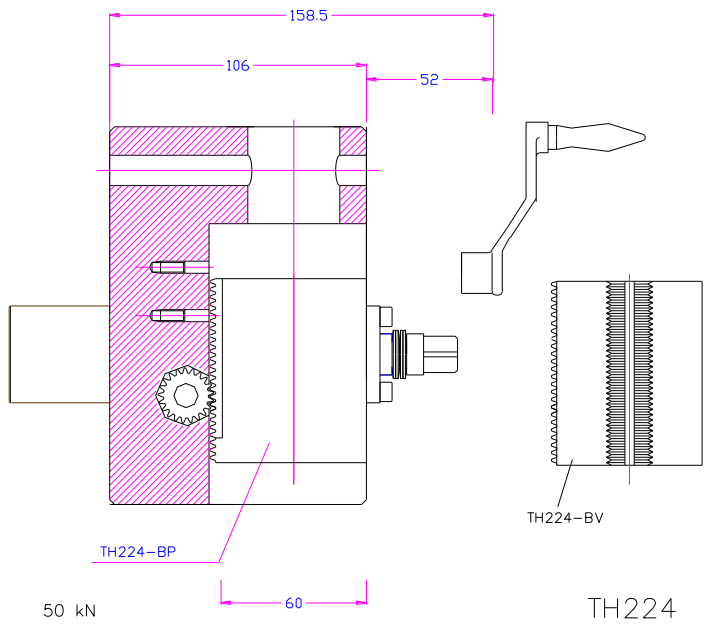
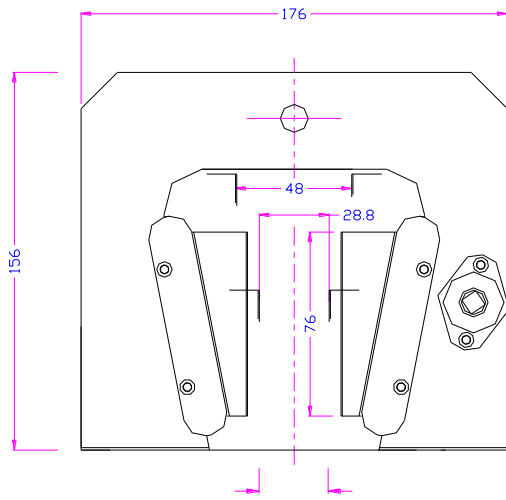


TH224

Wedge grip 50kN
Opening Max 50mm
For large samples like wood

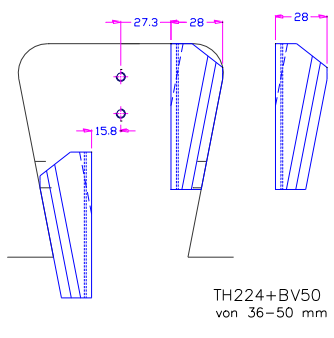
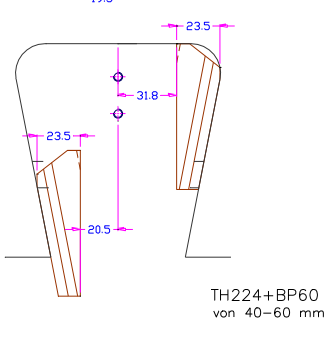
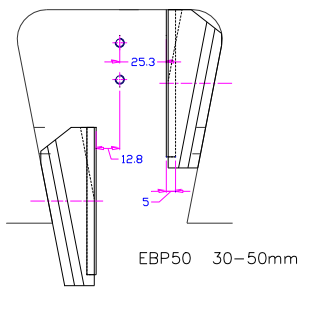
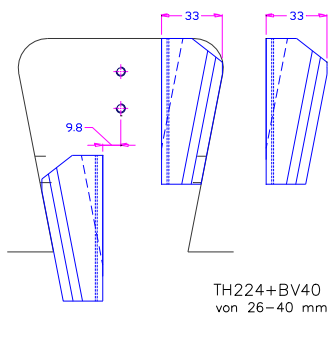
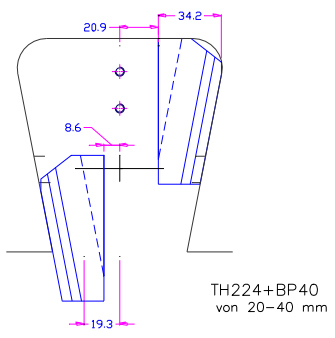
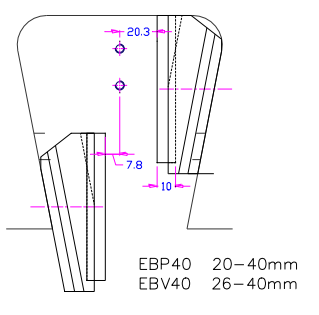
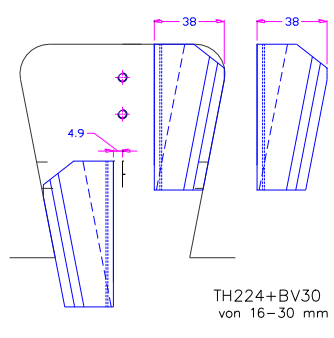
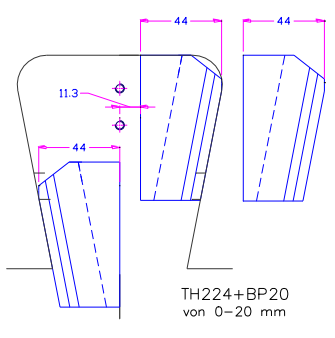
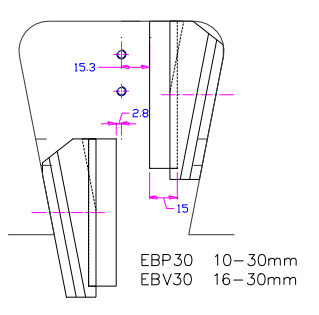
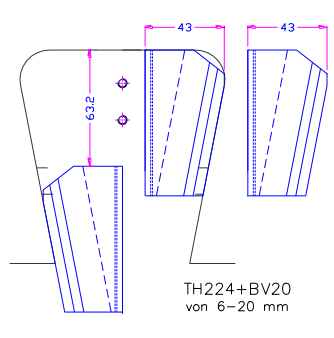
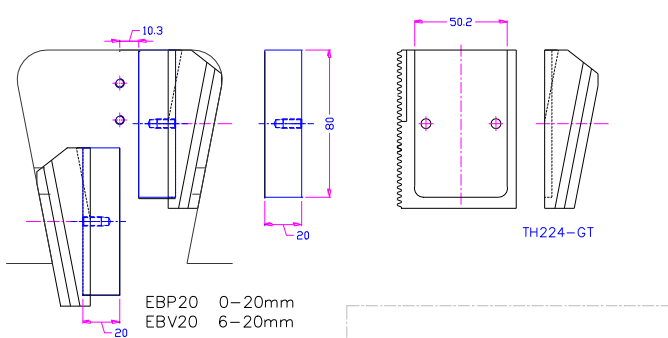
20kg





TH224

	<p>TH224-BP20</p> <p>Wedge Jaws with pyramid surface 60x80mm</p>
	<p>TH224-EBV+GT</p> <p>Carrier + insert jaws for round samples</p>
	<p>TH224-EBV</p> <p>Insert jaws for round samples</p>
	<p>TH224-GT</p> <p>Carrier for EB jaws</p>



TH224-EBP + EBV

TH224-BP..

TH224-BV..

TH224	Wedge grip, 50kN, for bigger samples sizes up to 60x50mm
	Inset jaw faces for TH224 - 1 set = 4 jaw faces Clamping surface 80 mm x 50 mm wide
TH224-EBP20	Inset pyramid (serrated) jaw faces for samples 0-20mm, 1Set
TH224-EBP30	Inset pyramid (serrated) jaw faces for samples 10-30mm, 1Set
TH224-EBP40	Inset pyramid (serrated) jaw faces for samples 20-40mm, 1Set
TH224-EBP50	Inset pyramid (serrated) jaw faces for samples 28-48mm, 1Set
TH224-EBV20	V-serrated jaw insets for round sample size 6-20 mm Ø, 1 Set
TH224-EBV30	V-serrated jaw insets for round sample size 16-30 mm Ø, 1 Set
TH224-EBV40	V-serrated jaw insets for round sample size 26-40 mm Ø, 1 Set
TH224-GT	Carrier for insert jaws
	Jaw faces for TH224 - 1 set = 4 jaw faces Clamping surface 76 mm height x 60 mm wide
TH224-BP20	Pyramid (serrated) jaw faces for samples 0-20 mm, 1Set
TH224-BP40	Pyramid (serrated) jaw faces for samples 20-40 mm, 1Set
TH224-BP60	Pyramid (serrated) jaw faces for samples 40-60 mm, 1Set
TH224-BV20	V-serrated jaw faces for round samples Ø 6-20 mm, 1 Set
TH224-BV30	V-serrated jaw faces for round samples Ø 16-30 mm, 1 Set
TH224-BV40	V-serrated jaw faces for round samples Ø 26-40 mm, 1 Set
TH224-BV50	V-serrated jaw faces for round samples Ø 36-50 mm, 1 Set

See also

www.grip.de/G08

www.grip.de/G08/TH224

www.grip.de/G05/TH11-50/

www.grip.de