

TH229 Pneumatic grip

- Clamping force: 1 kN / 7 bar
- Opening: 0-10 mm (depending on jaws)
- Temperature range: 0°C - +70°C (depending on jaws)
Other temperature ranges on request
- Body: Aluminium anodized
- Pneumatic connection: internal thread M5
- Weight: 260 gram per item (without jaws)
- Scope of delivery: 1 pair without jaws

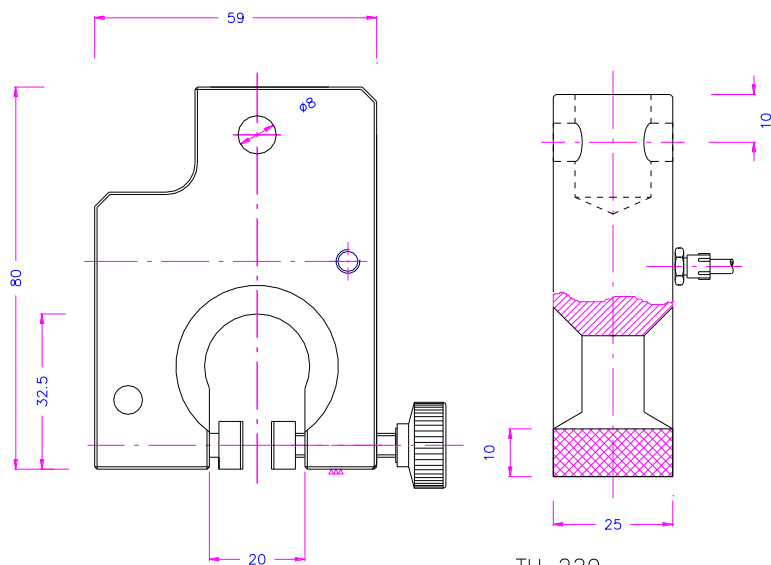


Jaws for TH229: Scope of delivery 1 set = 4 jaws

Item number	Surface	Clamping surface H x W	Opening	Weight per pair
TH229-B25	Blank jaws	10 x 25 mm	0 – 8 mm*	18 gram
TH229-BG25	Rubber jaws	10 x 25 mm	0 – 6 mm	19 gram
TH229-BP25	Pyramid jaws	10 x 25 mm	0 – 8 mm*	17 gram
TH229-BW25x25	Wave jaws	25 x 25 mm	0 – 6 mm	48 gram
TH229-BD25	Diamond jaws	10 x 25 mm	0 – 8 mm*	18 gram
TH229-B50	Blank jaws	10 x 50 mm	0 – 6 mm	46 gram
TH229-BG50	Rubber jaws	10 x 50 mm	0 – 4 mm	48 gram
TH229-BP50	Pyramid jaws	10 x 50 mm	0 – 6 mm	43 gram
TH229-BW50x25	Wave jaws	25 x 50 mm	0 – 6 mm	100 gram
TH229-BD50	Diamond jaws	10 x 50 mm	0 – 6 mm	46 gram
TH229-B100	Blank jaws	10 x 100 mm	0 – 6 mm	92 gram
TH229-BG100	Rubber jaws	10 x 100 mm	0 – 4 mm	95 gram
TH229-BP100	Pyramid jaws	10 x 100 mm	0 – 6 mm	86 gram
TH229-BD100	Diamond jaws	10 x 100 mm	0 – 6 mm	92 gram

*Special pins to change the opening to 2 – 10 mm are included in price of the grips. Grip reassemble is necessary to change the pins.

Jaws with other dimensions and surfaces on request



TH 229

Blank jaws

- Applicable for own further treatment
- Steel blanks without coating



Rubber jaws

- 1mm rubber coating (NBR)
- Nickel plated



Pyramid jaws

- Pyramids 0.8x45°
- Hardened steel 58 HRC
- Nickel plated



Wave jaws

- For flexible materials
- Wave 5 mm
- Hardened steel 58 HRC
- Nickel-plated



Diamond jaws

- Clamping surface coated with synthetic diamonds
- Nickel plated



Examples for other versions and custom-built solutions:



TH229-BW25 25x25 mm



TH229-BLC-R5 - Radius 5 mm

Accessories:**TH205-1 Foot pedals**

None locking: The jaws of the grip open by pressing the foot pedal and close after removing the foot from the pedal.
Scope of delivery: 1 pair of foot switches including tubes and fittings

**TH205-2 Foot pedals**

With locking function: The jaws of the grip open by pressing the foot pedal and remain opened after removing the foot from the pedal. The jaws close by pressing the pedal one more time.
Scope of delivery: 1 pair of foot switches including tubes and fittings

**TH205-PR10bar Pressure regulator**

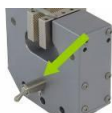
Optional for TH205-1 or TH205-2
To adjust air pressure: 1-10 bar

TH205-PR16bar Pressure regulator

Optional for TH205-1 or TH205-2
To adjust air pressure: 1-16 bar

**TH205-3 Hand switches**

With locking function: The jaws of the grip close by pulling the handle and remain closed. The jaws open by pushing the handle back.
Scope of delivery: 1 unit of hand switches including tubes and fittings

**TH205-4-M5 Pneumatic micro hand switches**

Pneumatic micro hand switches with M5 connection, tubes and fittings

With locking function (see TH205-3)

The hand switches are directly mounted at the grips. 3/2 directional valve

Scope of supply: 2 hand switches including tubes and fittings

**TH216 Silent compressor for laboratories, oil-lubricated, with pressure reducer**

Max pressure 16 bar; 230 V/50 Hz; noise level: 38 dB(A)

Motor: 0.13 kW; displacement: 17 l/min; tank size 3.5 l

Dimensions: 340x290x340 mm (L x W x H); weight 18 kg

See also

www.grip.de/G12

www.grip.de/G12/TH229

www.grip.de/G06/TH227 (TH229 and TH227 use the same jaws)