

TH229 Pneumatic grip

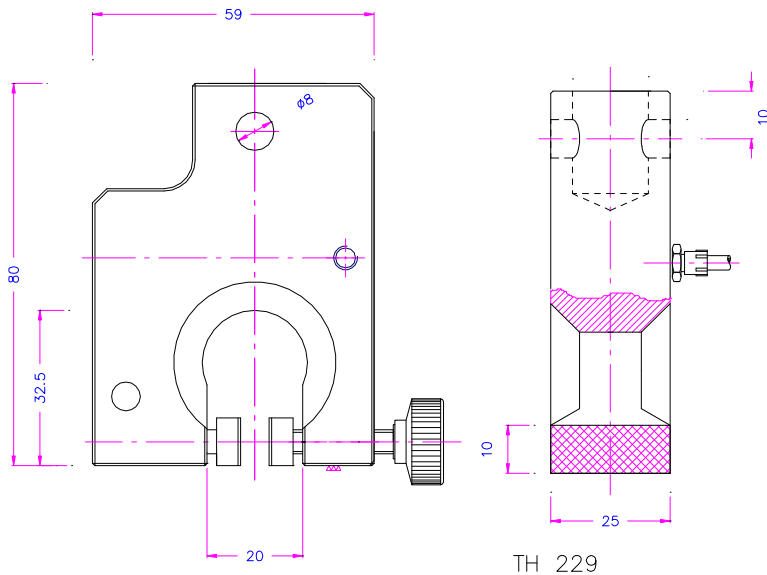
- Clamping force: 1 kN / 7 bar
- Opening: 0-10 mm (depending on jaws)
- Temperature range: 0°C - +70°C (depending on jaws)
Other temperature ranges on request
- Body: aluminum anodized
- Pneumatic connection: internal thread M5
- Weight: 260 gram per item (without jaws)
- Scope of delivery: 1 pair



Jaws for TH229: Scope of delivery 1 set = 4 jaws

Item number	Surface	Clamping surface H x W	Opening	Weight per pair
TH229-B25	Blank jaws	10 x 25mm	0 – 10mm	18 gram
TH229-BG25	Rubber jaws	10 x 25mm	0 – 8mm	19 gram
TH229-BP25	Pyramid jaws	10 x 25mm	0 – 10mm	17 gram
TH229-BD25	Diamond jaws	10 x 25mm	0 – 10mm	18 gram
TH229-B50	Blank jaws	10 x 50mm	0 – 8mm	46 gram
TH229-BG50	Rubber jaws	10 x 50mm	0 – 6mm	48 gram
TH229-BP50	Pyramid jaws	10 x 50mm	0 – 8mm	43 gram
TH229-BD50	Diamond jaws	10 x 50mm	0 – 8mm	46 gram
TH229-B100	Blank jaws	10 x 100mm	0 – 8mm	92 gram
TH229-BG100	Rubber jaws	10 x 100mm	0 – 6mm	95 gram
TH229-BP100	Pyramid jaws	10 x 100mm	0 – 8mm	86 gram
TH229-BD100	Diamond jaws	10 x 100mm	0 – 8mm	92 gram

Jaws with other dimensions and surfaces on request



Blank jaws
 - Applicable for own further treatment
 - Steel blanks without coating

Rubber jaws
 - 1mm rubber coating (NBR)
 - Nickel plated

Pyramid jaws
 - Pyramids 0.8x45°
 - Hardened steel 58 HRC
 - Nickel plated

Diamond jaws
 - Clamping surface coated with synthetic diamonds
 - Nickel plated

Examples for other versions and custom-built solutions



TH229-BW25



TH229-BLC-R5 - Radius 5 mm

Accessories:



TH205-1 Foot pedals

None locking: The jaws of the grip open by pressing the foot pedal and close after removing the foot from the pedal.

Scope of delivery: 1 pair of foot switches including tubes and fittings



TH205-2 Foot pedals

With locking function: The jaws of the grip open by pressing the foot pedal and remain opened after removing the foot from the pedal. The jaws close by pressing the pedal one more time.

Scope of delivery: 1 pair of foot switches including tubes and fittings



TH205-.+PR Pressure regulator

Optional for TH205-1 or TH205-2

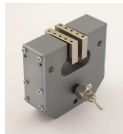
To adjust air pressure: 1-10 bar



TH205-3 Hand switches

With locking function: The jaws of the grip close by pulling the handle and remain closed. The jaws open by pushing the handle back.

Scope of delivery: 1 unit of hand switches including tubes and fittings



TH205-4 Hand switches

With locking function (see TH205-3)

The hand switches are directly mounted at the grips. 3/2 directional valve

Scope of supply: 2 hand switches including tubes and fittings



TH216 Compressor for laboratories, oil-lubricated

Max pressure 16 bar, 230V, noise level: 38dB(A)/1m

Displacement 5 l/min, tank size 3.1 litre (0.82 gallon)

Dimensions: 340x290x340 mm (L x W x H); weight 16 kg

Different voltages available on request

www.grip.de/pdf/TH205_datatsheet_english.pdf