

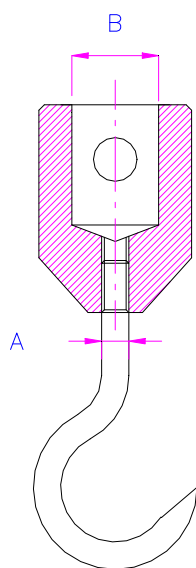
Hook grips

Hook grips are suitable for test samples that have built-in loops, hooks, tension springs, etc.

Hook adapters are available in aluminium and steel.

Temperature range: 0 ... +70°C
Further temperature ranges on request

Order information:
TH231 grips are supplied in 1 piece



	Max. tensile force	A: Hook rod Ø	B: Coupling*
TH231-2.5	0.25 kN	2.5 mm	Af 15.9 Af 20
TH231-3	0.35 kN	3 mm	Af 15.9 Af 20
TH231-4	0.6 kN	4 mm	Af 15.9 Af 20
TH231-5	1 kN	5 mm	Af 15.9 Af 20
TH231-6	1.4 kN	6 mm	Af 15.9 Af 20
TH231-8	2.5 kN	8 mm	Af 15.9 Af 20
TH231-10	4 kN	10 mm	Af 15.9 Af 20
TH231-12	6 kN	12 mm	Af 15.9 Af 20
TH231-16	12 kN	16 mm	Af15.9 Af 20

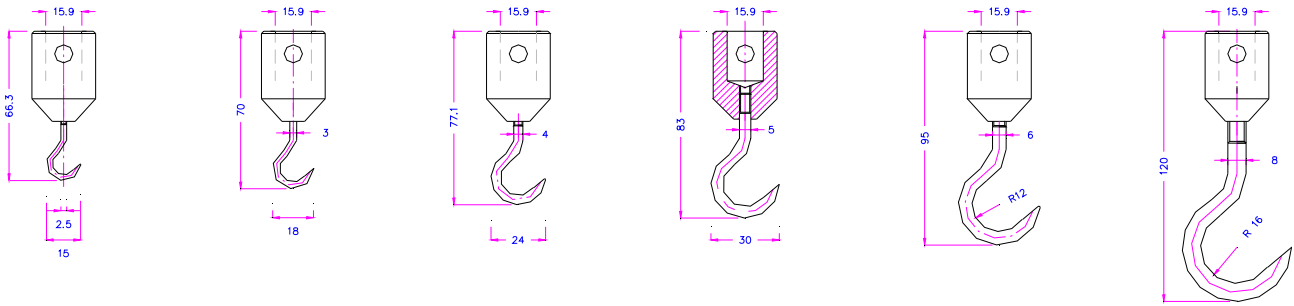
*further couplings on request



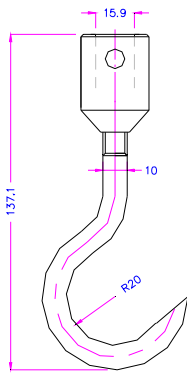
TH231-2.5/3/4/5/6



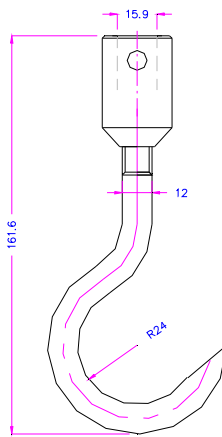
TH231-8/10/12



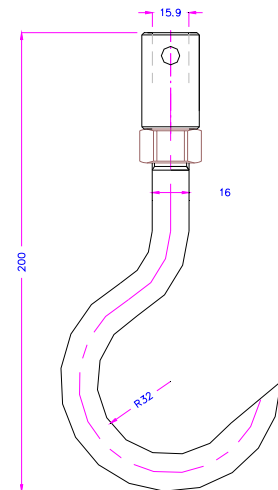
TH231-2.5/3/4/5/6/8



TH231-10



TH231-12



TH231-16

Special Versions:



TH231-121



TH231-1-2-20UNF



TH231-16-Am25



TH231-10-Am25

See also www.grip.de/G017