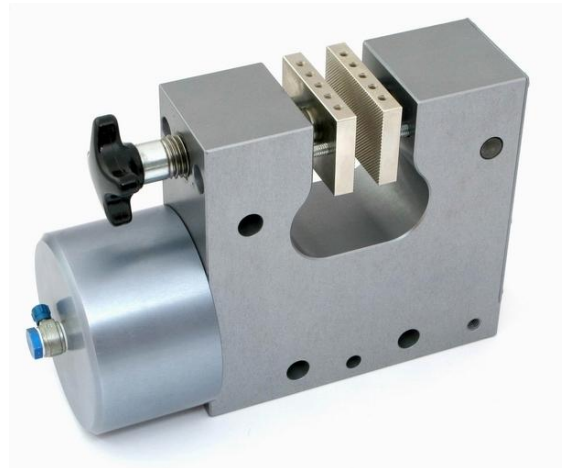


TH232 Pneumatic grip

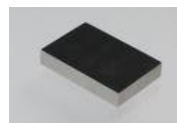
- Clamping force: 16 kN /7bar
- Standard temperature range: 0 °C - +70°C
with Viton: -70°C - +180°C
- Body made of aluminum
- Pneumatic connection: Internal thread 1/8"
- Weight ~4.5kg each without jaws
- Scope of delivery: 1 pair



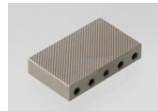
Jaws for TH232: Scope of delivery: 1 Set = 4 jaws



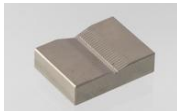
- TH232-B Blank (smooth) jaws**
- Suitable for own further treatments
 - Steel-blanks without coating



- TH232-BG Rubber coated jaws**
- 1 mm rubber coating (NBR)
 - Nickel-plated



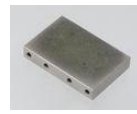
- TH232-BP Pyramid jaws (serrated)**
- Pyramids 1.2x45
 - Hardened steel 58HRC
 - Nickel-plated°



- TH232-BV V-jaws**
- For all kinds of round samples
 - Tooth pitch 1.2 mm
 - Hardened steel 58HRC
 - Nickel-plated



- TH232-BW Wave jaws (corrugated)**
- For flexible materials
 - Wave 5 mm
 - Hardened steel 58HRC
 - Nickel-plated



- TH232-BD Diamond coated jaws**
- Clamping surface coated with synthetic diamonds D91 (170/200 mesh)
 - Nickel-plated

Item number	Surface	Clamping surface H x W	Opening	Temperature range	Weight/ 1 pair
TH232-B	Blank jaws	40 x 60mm	0 - 10 mm*	+20 °C - +180°C	0.35 kg
TH232-BG	Rubber coated jaws	40 x 60mm	0 - 10 mm*	- 70 °C - +70°C	0.36 kg
TH232-BP	Pyramid jaws	40 x 60mm	0 - 10 mm*	- 70 °C - +180°C	0.33 kg
TH232-BV	V-jaws	clamping height 40mm	4 - 12 mm Ø**	- 70 °C - +180°C	0.32 kg
TH232-BW	Wave jaws	40 x 60mm	0 - 10 mm*	- 70 °C - +180°C	0.40 kg
TH232-BD	Diamond coated jaws	40 x 60mm	0 - 10 mm*	- 70 °C - +180°C	0.35 kg
TH232-B100	Blank jaws	40 x 100 mm	0 - 10 mm*	+20 °C - +180°C	0.72 kg
TH232-BG100	Rubber coated jaws	40 x 100 mm	0 - 10 mm*	- 70 °C - +70°C	0.74 kg
TH232-BP100	Pyramid jaws	40 x 100 mm	0 - 10 mm*	- 70 °C - +180°C	0.69 kg
TH232-BW100	Wave jaws	40 x 100 mm	0 - 10 mm*	- 70 °C - +180°C	0.66 kg
TH232-BD100	Diamond coated jaws	40 x 100 mm	0 - 10 mm*	- 70 °C - +180°C	0.72 kg
TH232-BW200	Wave jaws	60 x 200 mm	0 - 10 mm*	0 °C - +180°C	3.00 kg

* On request: opening 10mm – 20mm and 20mm – 30mm

** On request: for round samples 8-30mm Ø

Inset jaws for TH232:

Jaw quick changing system; Inset jaws require carriers (TH232-GT..)

Scope of delivery: 1 Set = 4 jaws



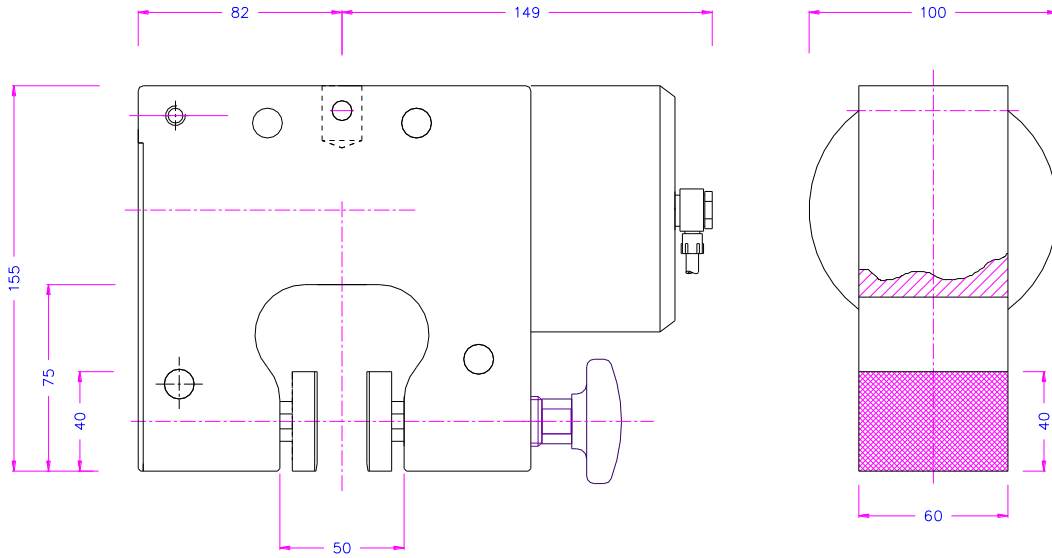
Item number	Surface	Clamping surface H x W	Opening*	Temperature range	Weight/ 1 pair
TH232-GT	Carrier	-	-	- 70 °C - +180°C	0.33 kg
TH232-EB	Blank inset jaws	50 x 60mm	0-9mm	+20 °C - +180°C	0.29 kg
TH232-EBG	Rubber coated inset jaws	50 x 60mm	0-9mm	- 70 °C - +70°C	0.30 kg
TH232-EBP	Pyramid inset jaws	50 x 60mm	0-9mm	- 70 °C - +180°C	0.28 kg
TH232-EBW	Wave inset jaws	50 x 60mm	0-9mm	- 70 °C - +180°C	0.26 kg
TH232-EBD	Diamond coated inset jaws	50 x 60mm	0-9mm	- 70 °C - +180°C	0.29 kg
TH232-GT100	Carrier	-	-	- 70 °C - +180°C	0.69 kg
TH232-EB100	Blank inset jaws	50 x 100mm	0-9mm	+20 °C - +180°C	0.63 kg
TH232-EBG100	Rubber coated inset jaws	50 x 100mm	0-9mm	- 70 °C - +70°C	0.65 kg
TH232-EBP100	Pyramid inset jaws	50 x 100mm	0-9mm	- 70 °C - +180°C	0.60 kg
TH232-EBW100	Wave inset jaws	50 x 100mm	0-9mm	- 70 °C - +180°C	0.57 kg
TH232-EBD100	Diamond coated inset jaws	50 x 100mm	0-9mm	- 70 °C - +180°C	0.63 kg

* On request: opening 9–19mm

Jaws with other dimensions and surface coatings on request

Last update 05.04.2012

All specifications subject to change without prior notice



TH 232

Accessories:



TH205-1 Foot pedals

None locking: The jaws of the grip open by pressing the foot pedal and close after removing the foot from the pedal.

Scope of delivery: 1 pair of foot switches including tubes and fittings



TH205-2 Foot pedals

With locking function: The jaws of the grip open by pressing the foot pedal and remain opened after removing the foot from the pedal. The jaws close by pressing the pedal one more time.

Scope of delivery: 1 pair of foot switches including tubes and fittings



TH205-.+PR Pressure regulator

Optional for TH205-1 or TH205-2
To adjust air pressure: 1-10 bar



TH205-3 Hand switches

With locking function: The jaws of the grip close by pulling the handle and remain closed. The jaws open by pushing the handle back.

Scope of delivery: 1 unit of hand switches including tubes and fittings



TH205-4 Hand switches

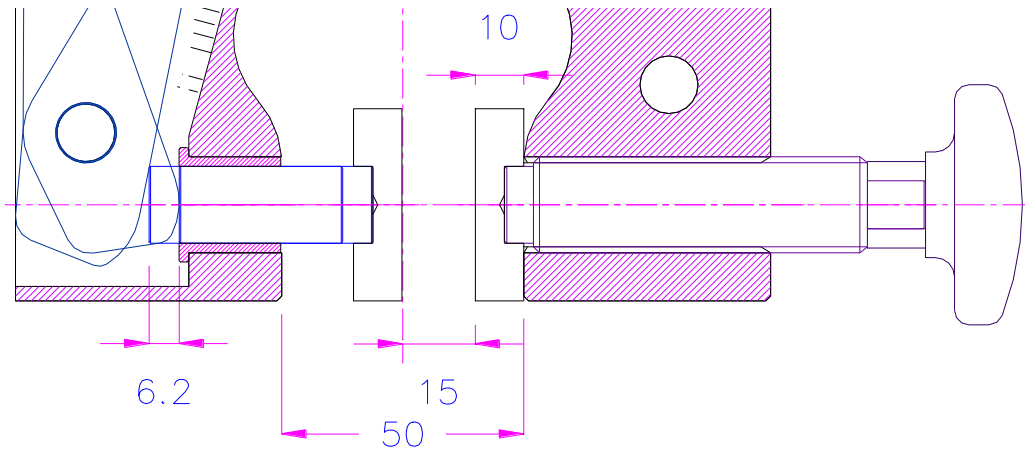
With locking function (see TH205-3)

The hand switches are directly mounted at the grips. 3/2 directional valve
Scope of supply: 2 hand switches including tubes and fittings



TH216 Compressor for laboratories, oil-lubricated

Max pressure 16 bar, 230V, noise level: 38dB(A)/1m
Displacement 5 l/min, tank size 3.1 litre (0.82 gallon)
Dimensions: 340x290x340 mm (L x W x H); weight 16 kg
Different voltages available on request



0–5  for samples 0–10mm
40

5–10  for samples 10–20mm
35

10–15  for samples 20–30mm
30

See also www.grip.de/G12/TH232

<http://www.youtube.com/watch?v=olkEL5AOrAM>