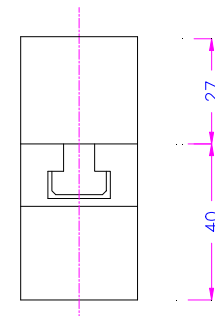
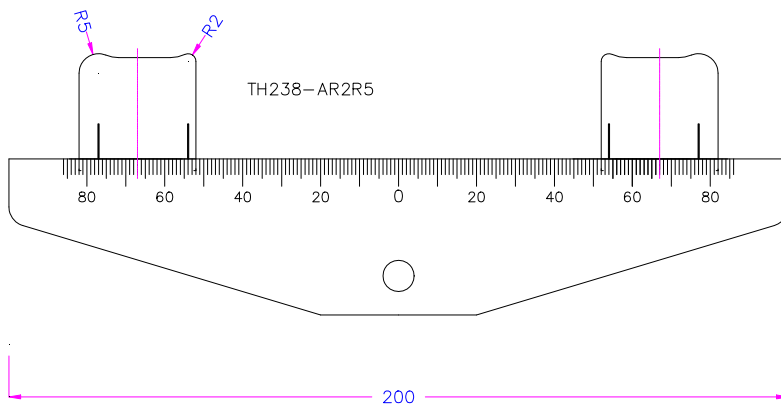
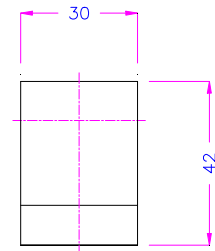
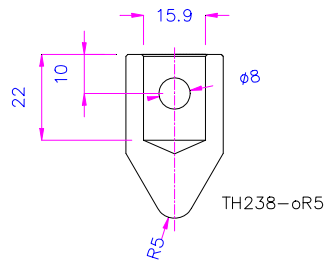
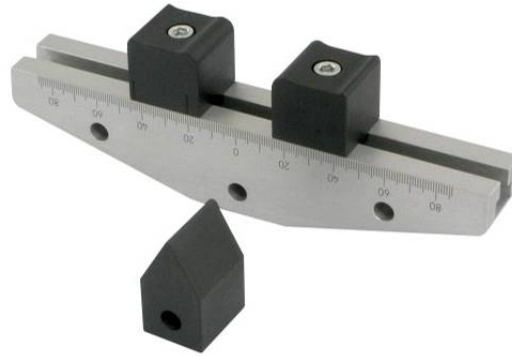







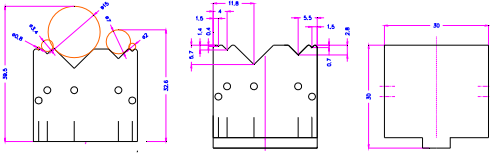

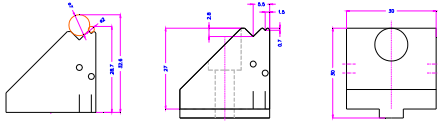
TH238

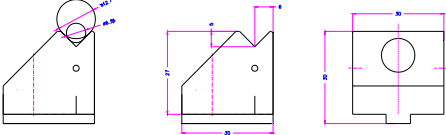

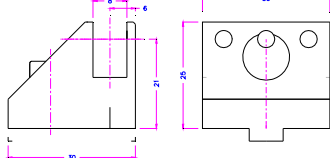


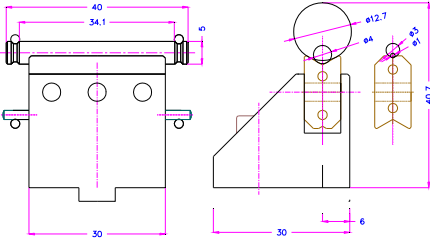

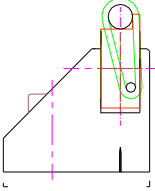

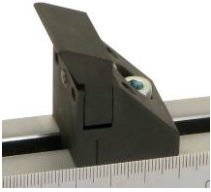
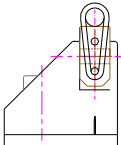
small bending fixture for universal usage

Aluminum and steel versions available

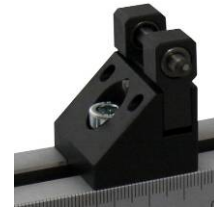


Item number	Description	Picture
TH238-AR-OR	<p>Simple 3-point bending fixture Bar 200 mm</p> <p>Upper part: anvil TH238-OR. R0.5, 1, 1.5, 2, 3, 3.2, 4, 5, 10 mm 0.16 kg</p> <p>Lower part: – 2 supports with double radius. TH238-AR1.5+R2.5; R2+R3; R2+R5; R3.2+R5; R4+R5 mm 0.8 kg or 2 supports with 1 radius TH238-CR0.5, 1, 1.5, 2, 2.5, 3, 3.2, 3.5, 4, 5, 10 mm</p>	
TH238-4p-AX-CX	<p>4-point bending fixture with exchangeable rollers Bars 200 mm</p> <p>Upper support Type CX Lower supports Type AX</p>	
TH238-CWX-4P	<p>4-point bending fixture with exchangeable rollers Bars 200 mm</p> <p>Upper support Type CWX movable Lower supports Type CWX movable</p>	
TH238-AX6x100	<p>4-point bending fixture with exchangeable rollers Bars 200 mm</p> <p>Rollers: Ø 6 x 100 mm</p>	
TH238-B300-B300-CWX4	<p>4-point bending fixture with exchangeable rollers Bars 300 mm</p> <p>Movable carrier Rollers: Ø 4 mm Upper/lower part: 3.0 kg each</p>	
TH238-CWR2-VS6	<p>Moveable support 6 mm moved from center Radius 2 mm</p>	

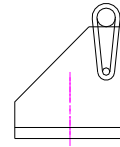
Item number	Description	Qt.	Picture
<i>Bars</i>			
TH238-B200	Lower bar, aluminum, anodized, 200 mm. Possible span distances 0-144 mm, 0-150 mm, 0-196 mm. Weight 0.4 kg.	1x	
TH238-B200-St	Lower bar, steel, 200 mm. Possible span distances 0-144 mm, 0-150 mm, 0-196 mm. Weight 1.2 kg.	1x	
TH238-B300-St	Lower bar steel, 300 mm, 2.6 kg	1x	
TH238-B350-St	Lower bar steel, 350 mm, 2.8 kg	1x	
TH238-B400-St	Lower bar steel, 400 mm, 3.2 kg	1x	
TH238-B430-St	Lower bar steel, 430 mm, 5.2 kg	1x	
<i>Supports</i>			
TH238-AR	Supports with 2 milled radii Hardened steel Available R1.5+R2.5; R2+R3; R2+R5; R3.2+R5; R4+R5 mm 0.2 kg	2x	
TH238-CR	Supports with 1 milled radius R: 0.5; 1; 1.5; 2; 2.5; 3.2; 5 mm 0.1 - 0.8 kg	2x	
TH238-CR..H..	Special supports with 1 milled radius E.g. radius 1 mm, height 130 mm	2x	
<i>Supports for rollers</i>			
TH238-AX	Supports for exchangeable rollers, 5 pins Rollers: Ø 1 to 15 mm 0.18 kg	2x	  <p style="text-align: right;">TH238-AX</p>
TH238-CX	Support for exchangeable rollers, 2 pins Rollers: Ø 1 to 7 mm 0.2 kg	2x	  <p style="text-align: right;">TH238-CX</p>

TH238-CX127	Support for roller 1 pin 6-13 mm Ø	2x		TH238-CX127		
TH238-CW	Fixable supports for articulating carrier 0.12 kg	2x			TH238-CWGT	
TH238-WEX	Movable carrier for exchangeable roller with pins and O-rings to fix the roller 0.003 kg	3x				
TH238-CWX	Articulating support with exchangeable roller 0.2 kg	2x			TH238-CWX5	TH238-CWX
TH238-CWN5	Movable carrier with exchangeable roller and 2 O-rings to fix the roller Roller 5 mm Ø on a flat plane area (3 mm height in stock) 0.2 kg	2x				
TH238-CWER2x120	Special fixable movable insets Radius R2 120 mm wide (not in stock)	3x				
TH238-CWR1Z	Movable support Zero span	2x				
TH238-CWM	Flat movable supports for glass	2x				

TH238-CWR5 Movable inset rolling with needle bearings 2x



TH238-CM Flat free rolling support for glass 2x



TH238-D Rollers hardened
 Ø 1-12.7 mm
 D3x100 = 3 mm Ø and 100 mm length 3x

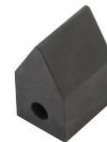


TH238-DxL Roller of special length + 2 O-Rings + 2 extra pins or magnets 3x
 3x56; 3x105; 6x105; 10x105 mm



Upper anvils

TH238-OR... Upper part anvil with milled radius 1, 1.5; 2; 3; 4; 5; 12.5 mm 1x
 0.2 kg



TH238-OX Upper part anvil with milled V to carry different diameters 1x
 oX3 keeps 1-3.2 mm Ø
 oX12 keeps 4-12.7 mm Ø
 0.2 kg



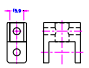
TH238-OW Upper part for articulating carrier 1x
 Additional parts see TH238-W
 0.2 kg



TH238-oWX

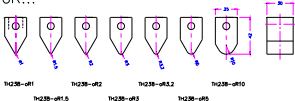
TH238-OWX- Movable anvil fixable with prism and exchangeable roller 1x
 0.1 kg





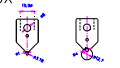
TH238-WDF-A1159

oR...




TH238-oR1 TH238-oR2 TH238-oR3 TH238-oR3.2 TH238-oR4 TH238-oR5

oX



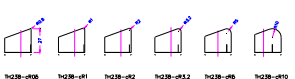
TH238-oX1 1-1,2,3 TH238-oX2 4-12,7,9

oWX



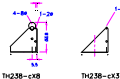
TH238-oWX1 TH238-oWX2

C...



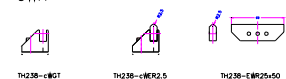
TH238-c1 TH238-c1.1 TH238-c2 TH238-c3.2 TH238-c4 TH238-c5

cX




TH238-cX1 1-3 TH238-cX3 1-2

cWX



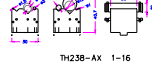
TH238-cWER1.05 TH238-cWER2.5 TH238-cWER25x50

A...



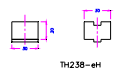
TH238-AR1.25 TH238-AR2.1 TH238-AR2.6 TH238-AR3.6 TH238-AR4.2

AX



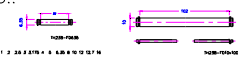
TH238-AX 1-16

eH



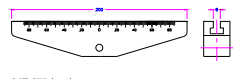
TH238-eH

D..



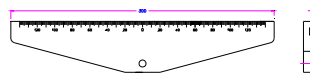
TH238-D1 TH238-D2

TH238-B200



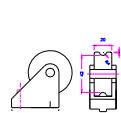
TH238-B200-Au TH238-B200-Si Steel

TH238-B300



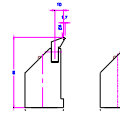
TH238-B300

TH238-cVD42R4s



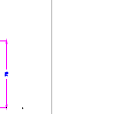
TH238-cVD42R4s

TH238-cWR2v10H80s



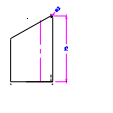
TH238-cWR2v10H80s

TH238-cWR3205dH76s



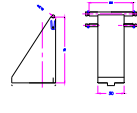
TH238-cWR3205dH76s

TH238-cR2H75s




TH238-cR2H75s

TH238-cX3.1B/50H75s




TH238-cX3.1B/50H75s

cM




-cM

cWM



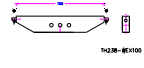
-cWM

cWN



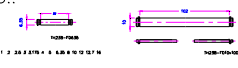
-cWN

TH238-BC100



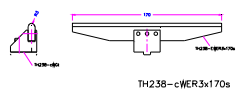
TH238-BC100

TH238-BC100



TH238-BC100

TH238-cWER3x170s



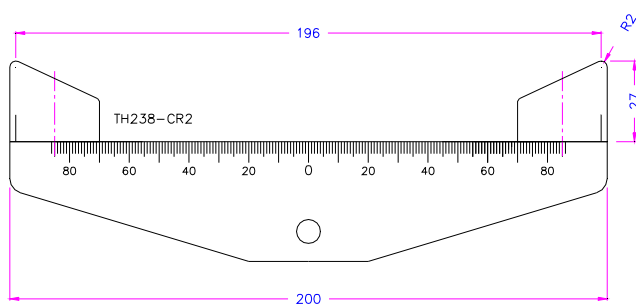
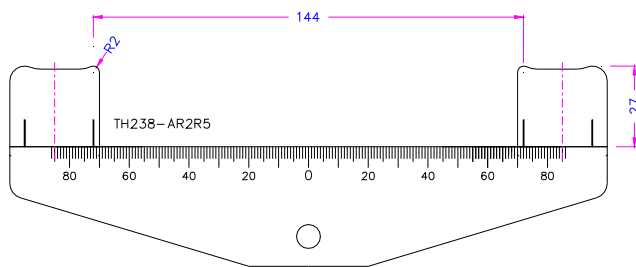
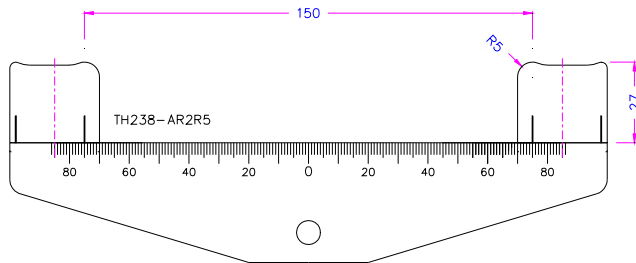
TH238-cWER3x170s

TH238-names

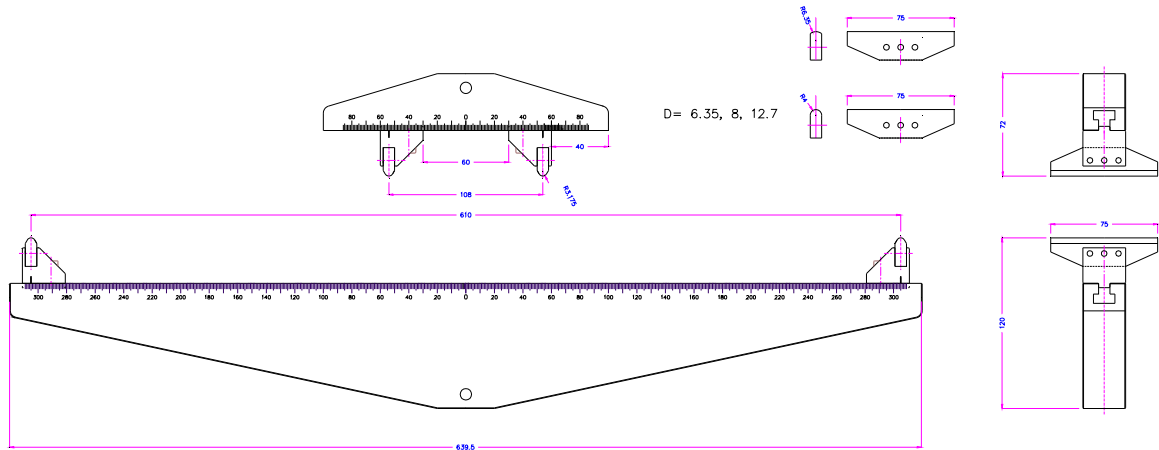
Legende see also TH22 TH238

- A: Abstand 2-Feldern
- B: Abstand 3-Feldern
- C: Abstand 4-Feldern
- D: Abstand 5-Feldern
- E: Abstand 6-Feldern
- F: Abstand 7-Feldern
- G: Abstand 8-Feldern
- H: Abstand 9-Feldern
- I: Abstand 10-Feldern
- J: Abstand 11-Feldern
- K: Abstand 12-Feldern
- L: Abstand 13-Feldern
- M: Abstand 14-Feldern
- N: Abstand 15-Feldern
- O: Abstand 16-Feldern
- P: Abstand 17-Feldern
- Q: Abstand 18-Feldern
- R: Abstand 19-Feldern
- S: Abstand 20-Feldern
- T: Abstand 21-Feldern
- U: Abstand 22-Feldern
- V: Abstand 23-Feldern
- W: Abstand 24-Feldern
- X: Abstand 25-Feldern
- Y: Abstand 26-Feldern
- Z: Abstand 27-Feldern
- aa: Abstand 28-Feldern
- ab: Abstand 29-Feldern
- ac: Abstand 30-Feldern
- ad: Abstand 31-Feldern
- ae: Abstand 32-Feldern
- af: Abstand 33-Feldern
- ag: Abstand 34-Feldern
- ah: Abstand 35-Feldern
- ai: Abstand 36-Feldern
- aj: Abstand 37-Feldern
- ak: Abstand 38-Feldern
- al: Abstand 39-Feldern
- am: Abstand 40-Feldern
- an: Abstand 41-Feldern
- ao: Abstand 42-Feldern
- ap: Abstand 43-Feldern
- aq: Abstand 44-Feldern
- ar: Abstand 45-Feldern
- as: Abstand 46-Feldern
- at: Abstand 47-Feldern
- au: Abstand 48-Feldern
- av: Abstand 49-Feldern
- aw: Abstand 50-Feldern
- ax: Abstand 51-Feldern
- ay: Abstand 52-Feldern
- az: Abstand 53-Feldern
- ba: Abstand 54-Feldern
- bb: Abstand 55-Feldern
- bc: Abstand 56-Feldern
- bd: Abstand 57-Feldern
- be: Abstand 58-Feldern
- bf: Abstand 59-Feldern
- bg: Abstand 60-Feldern
- bh: Abstand 61-Feldern
- bi: Abstand 62-Feldern
- bj: Abstand 63-Feldern
- bk: Abstand 64-Feldern
- bl: Abstand 65-Feldern
- bm: Abstand 66-Feldern
- bn: Abstand 67-Feldern
- bo: Abstand 68-Feldern
- bp: Abstand 69-Feldern
- bq: Abstand 70-Feldern
- br: Abstand 71-Feldern
- bs: Abstand 72-Feldern
- bt: Abstand 73-Feldern
- bu: Abstand 74-Feldern
- bv: Abstand 75-Feldern
- bw: Abstand 76-Feldern
- bx: Abstand 77-Feldern
- by: Abstand 78-Feldern
- bz: Abstand 79-Feldern
- ca: Abstand 80-Feldern
- cb: Abstand 81-Feldern
- cc: Abstand 82-Feldern
- cd: Abstand 83-Feldern
- ce: Abstand 84-Feldern
- cf: Abstand 85-Feldern
- cg: Abstand 86-Feldern
- ch: Abstand 87-Feldern
- ci: Abstand 88-Feldern
- cj: Abstand 89-Feldern
- ck: Abstand 90-Feldern
- cl: Abstand 91-Feldern
- cm: Abstand 92-Feldern
- cn: Abstand 93-Feldern
- co: Abstand 94-Feldern
- cp: Abstand 95-Feldern
- cq: Abstand 96-Feldern
- cr: Abstand 97-Feldern
- cs: Abstand 98-Feldern
- ct: Abstand 99-Feldern
- cu: Abstand 100-Feldern

Possible span distances:

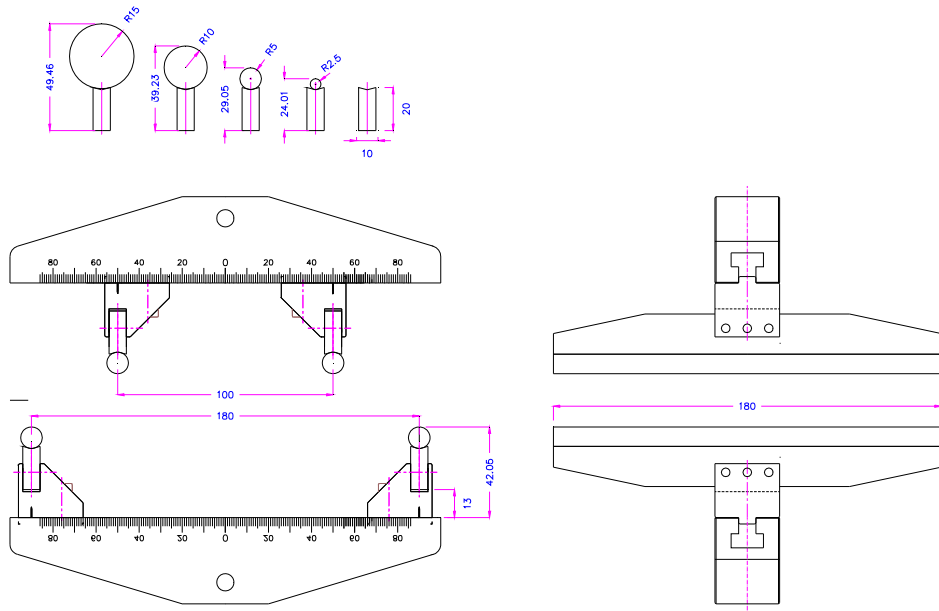


Examples:



TH238-4P-B640-B200-CWR635-8-127x75

Articulating carrier with radius 6.35 mm



TH238-4P-CWXd180.....



TH238-B300--4P-CWR5x170

TH238

TH238-4P-CWXD8-iTH1-AfDP10s iTH1

With extensometer for chamber use



TH238-4P-CWX15x180

TH238-CWXD4 iTH1

Holder for internal extensometer
8 mm



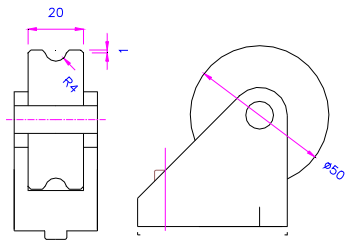
TH238-CWxD4-iTH2

Holder for external extensometer

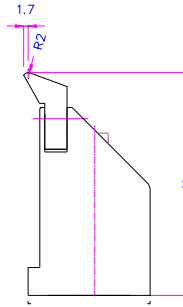


TH238-CR01

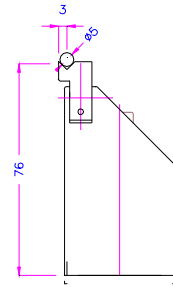
Radius 0.1 mm



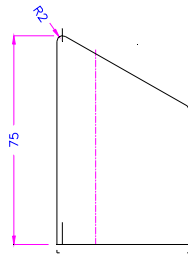
TH238-CVD50R4



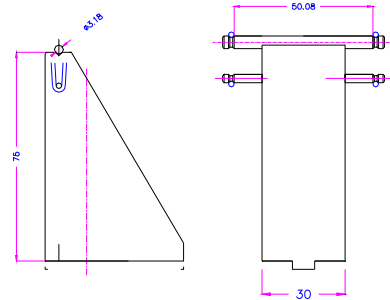
TH238-CWS17R2-H80



TH238-CWXS3D5-H76

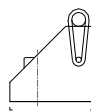


TH238-CR2H75



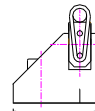
TH238-CXV3.18x50,08H75

CM



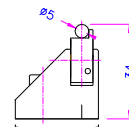
-CM

CWM

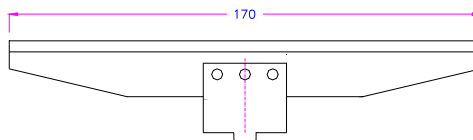
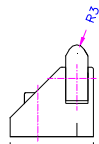


-CWM

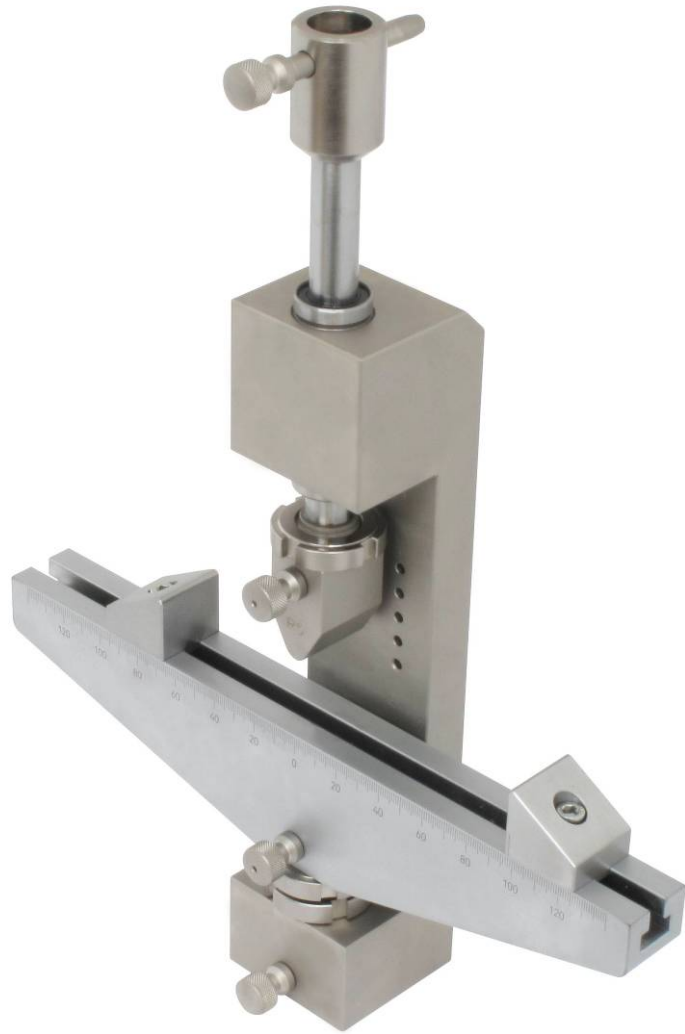
CWN



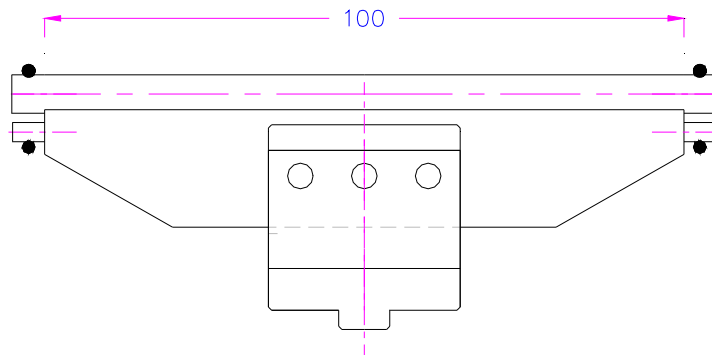
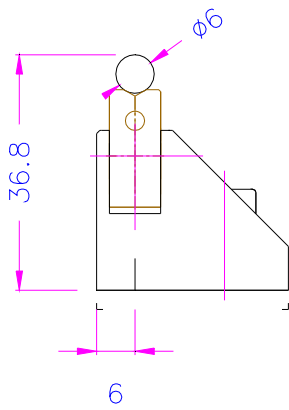
-CWN



TH238-CWR3x170
TH238-CW + TH238-WR3x170



THS884 + TH238-300-cr2-or5



TH238-CWX6x100

New special bending devices since 1.3.2016



TH238-FOR32-Af150



TH238-200-ar2-H40-Af159-ans + or5-



TH238+TH42-10-R3+Ans



TH238-3P-300-
CXD20x76



TH238-CWD4-4p-
WDFAM16-AM317

	<p>TH238-aX4.8.15-H50 TH238-H50-AX</p> <p>Extra Height</p>
	<p>TH238-300- CX10x60-H100</p>
	<p>TH238-CXF5x80</p>

	<p>TH238-CX12</p>
	<p>TH238-CR10</p>
	<p>TH238-cr1.5</p>

MT 25.7.2016