

# TH240g product line

## TH240g Vise grip

Opening: 0 - 24mm (depending on jaws)  
Weight: 1.30 kg each grip (without jaws)

## TH240g-S50 Vise grip

Opening: 0 - 50mm (depending on jaws)  
Weight: 1.30 kg each grip (without jaws)

## TH240g-S100 Vise grip

Opening: 10 - 100mm (depending on jaws)  
Weight: 2.27kg each grip (with jaws)

- Tensile force: 5 kN
- Temperature range: 0°C - +180°C  
Other temperature ranges possible on request
- Body: Aluminum, anodized
- Scope of delivery: 1 pair (without jaws)
- Also as pneumatic grip available  
(see data sheet TH240g+Ko)



## Jaws for TH240g: Scope of delivery 1 set = 4 jaws

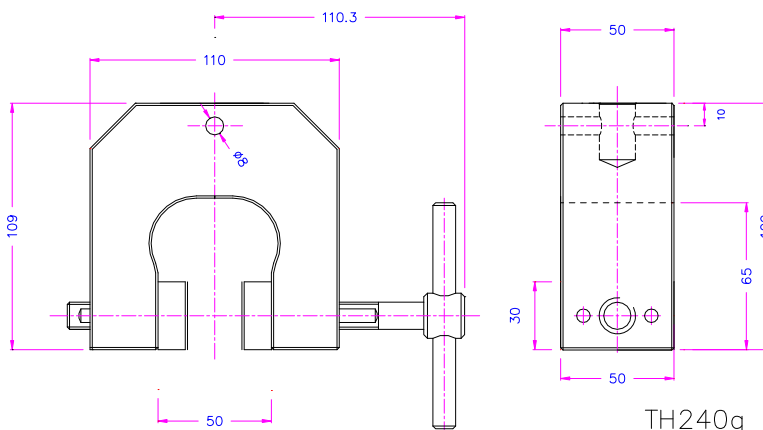
Item No.	Surface	Clamping surface H x W	Opening TH240g	Opening TH240g-S50	Opening TH240g-S100	Weight per pair
TH240g-B	Blank jaws	30x50mm	0-30mm	0-50mm	-	0.22kg
TH240g-BG	Rubber jaws	30x50mm	0-28mm	0-50mm	-	0.22kg
TH240g-BP	Pyramid jaws	30x50mm	0-30mm	0-50mm	-	0.21kg
TH240g-BV2	V-jaws	30x50mm	Ø 2-30mm	Ø 2-50mm	-	0.22kg
TH240g-BV5	V-jaws	30x50mm	Ø 5-30mm	Ø 5-50mm	-	0.25kg
TH240g-BW	Wave jaws	30x50mm	0-30mm	0-50mm	-	0.20kg
TH240g-BD	Diamond jaws	30x50mm	0-30mm	0-50mm	-	0.22kg
TH240g-B80	Blank jaws	30x80mm	0-26mm	0-48mm	10-100mm	0.43kg
TH240g-BG80	Rubber jaws	30x80mm	0-24mm	0-46mm	8-98mm	0.44kg
TH240g-BP80	Pyramid jaws	30x80mm	0-26mm	0-48mm	10-100mm	0.42kg
TH240g-BW80	Wave jaws	30x80mm	0-26mm	0-48mm	10-100mm	0.39kg
TH240g-BD80	Diamond jaws	30x80mm	0-26mm	0-48mm	10-100mm	0.43kg
TH240g-B100	Blank jaws	30x100mm	0-26mm	0-48mm	10-100mm	0.54kg
TH240g-BG100	Rubber jaws	30x100mm	0-24mm	0-46mm	8-98mm	0.55kg
TH240g-BP100	Pyramid jaws	30x100mm	0-26mm	0-48mm	10-100mm	0.53kg
TH240g-BW100	Wave jaws	30x100mm	0-26mm	0-48mm	10-100mm	0.51kg
TH240g-BD100	Diamond jaws	30x100mm	0-26mm	0-48mm	10-100mm	0.54kg



## Inset jaws for TH240g: Scope of delivery 1 set = 4 jaws

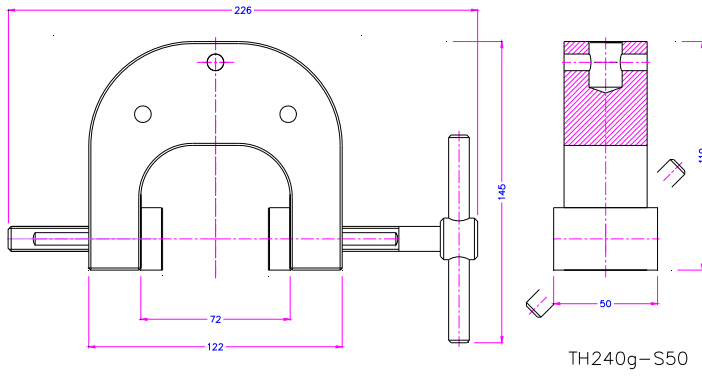
Quick change system - inset jaws require carriers (TH240g-GT)

Item No.	Surface	Clamping surface H x W	Opening TH240g	Opening TH240g-S50	Weight per pair
TH240g-GT	Carrier	-	-	-	0.18kg
TH240g-EB	Blank inset jaws	30 x 50mm	0 - 20mm	0 - 30mm	0.14kg
TH240g-EBG	Rubber inset jaws	30 x 50mm	0 - 18mm	0 - 30mm	0.14kg
TH240g-EBP	Pyramid inset jaws	30 x 50mm	0 - 20mm	0 - 30mm	0.13kg
TH240g-EBD	Diamond inset jaws	30 x 50mm	0 - 20mm	0 - 30mm	0.14kg

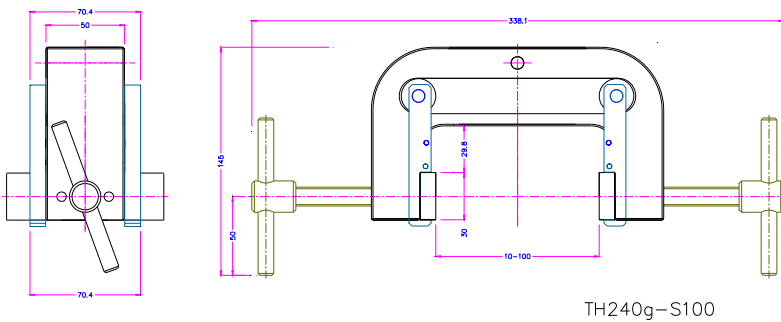
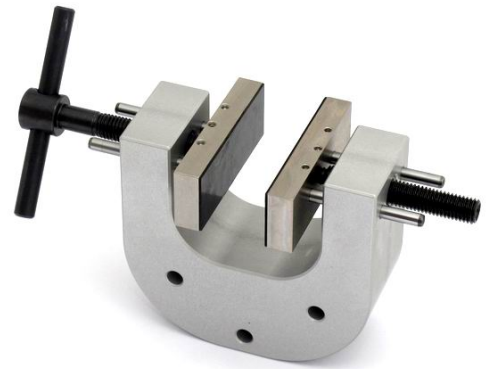


<p><b>Blank jaws</b></p> <ul style="list-style-type: none"> <li>- Applicable for own further treatments</li> <li>- Steel blanks without coating</li> </ul> <p><b>Rubber jaws</b></p> <ul style="list-style-type: none"> <li>- 1mm rubber coating (NBR)</li> <li>- Nickel plated</li> </ul> <p><b>Pyramid jaws</b></p> <ul style="list-style-type: none"> <li>- Pyramids 1,2x45°</li> <li>- Hardened steel 58 HRC</li> <li>- Nickel plated</li> </ul> <p><b>V-jaws</b></p> <ul style="list-style-type: none"> <li>- For all kinds of round samples</li> <li>- Tooth pitch 1.2 mm</li> <li>- Hardened steel 58HRC</li> <li>- Nickel plated</li> </ul> <p><b>Wave jaws</b></p> <ul style="list-style-type: none"> <li>- For flexible materials</li> <li>- Wave 5 mm</li> <li>- Hardened steel 58HRC</li> <li>- Nickel plated</li> </ul> <p><b>Diamond jaws</b></p> <ul style="list-style-type: none"> <li>- Clamping surface coated with synthetic diamonds</li> <li>- Nickel plated</li> </ul>	
--	--

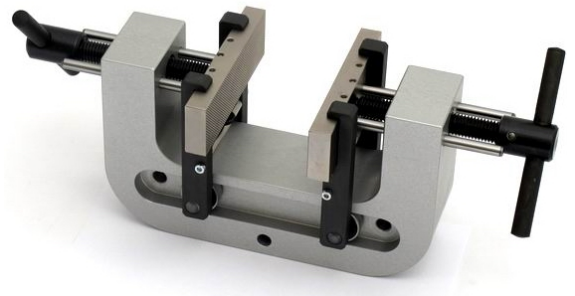
# TH240g product line



TH240g-S50



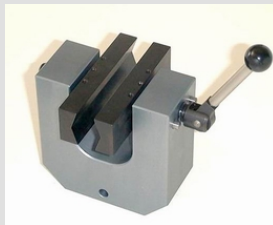
TH240g-S100



## Examples of special construction designs



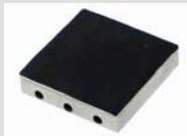
TH240g-S50+TH240g-BS12  
Special jaws



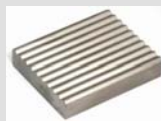
TH240g+EL+BV50x100  
Quick release lever + Special jaws



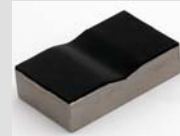
TH240g-S70  
Opening 0-70mm



TH240g-BG50x50  
HxW 50x50mm



TH240g-BW50x60  
HxW 50x60mm



TH240g-BVG  
Rubber coated V-jaws

## Pneumatic versions (see data sheet TH240g+ko)



TH240g+Ko+BP



TH240g+2Ko+BV