

TH240k Vise grip

- Tensile force: 2.5 kN
- Opening: 0 - 10mm (with rubber jaws 0-8 mm)
- Weight: 0.29kg each grip (without jaws)

TH240k-S20 Vise grip

- Tensile force: 1 kN
- Opening: 0 - 20mm
- Weight: 0.33kg each grip (without jaws)

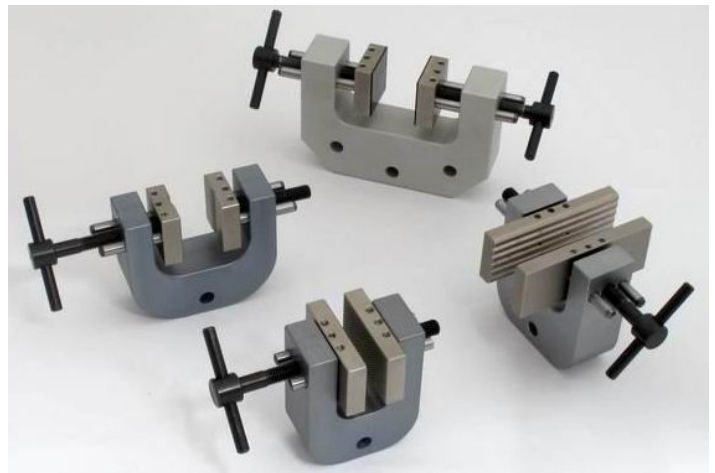
TH240k-S30 Vise grip

- Tensile force: 1 kN
- Opening: 0 - 30mm
- Weight: 0.32 kg each grip (without jaws)

TH240k-S50 Vise grip

- Tensile force: 1 kN
- Opening: 0 - 50mm
- Weight: 0.57kg each grip (without jaws)

- Temperature range: 0°C - +180°C (depending on jaws)
Other temperature ranges possible on request
- Body: aluminum
- Scope of delivery: 1 pair (without jaws)
- Also as pneumatic version available
(see data sheet TH240k+ko)



Jaws for TH240k: Scope of delivery 1 Set = 4 jaws

Item number	Surface	Clamping surface H x W	Weight/ pair
TH240k-B	Blank jaws	30 x 30mm	0.13 kg
TH240k-BG	Rubber jaws	30 x 30mm	0.13 kg
TH240k-BP	Pyramid jaws	30 x 30mm	0.12 kg
TH240k-BV2	V-jaws	30 x 30mm	0.12 kg
TH240k-BV3	V-jaws	30 x 30mm	0.13 kg
TH240k-BW	Wave jaws	30 x 30mm	0.12 kg
TH240k-BD	Diamond jaws	30 x 30mm	0.13 kg
TH240k-B50	Blank jaws	30 x 50mm	0.22 kg
TH240k-BG50	Rubber jaws	30 x 50mm	0.23 kg
TH240k-BP50	Pyramid jaws	30 x 50mm	0.21 kg
TH240k-BW50	Wave jaws	30 x 50mm	0.20 kg
TH240k-BD50	Diamond jaws	30 x 50mm	0.22 kg
TH240k-B80	Blank jaws	30 x 80mm	0.36 kg
TH240k-BG80	Rubber jaws	30 x 80mm	0.37 kg
TH240k-BP80	Pyramid jaws	30 x 80mm	0.35 kg
TH240k-BW80	Wave jaws	30 x 80mm	0.32 kg
TH240k-BD80	Diamond jaws	30 x 80mm	0.36 kg
TH240k-B100	Blank jaws	30 x 100mm	0.45 kg
TH240k-BG100	Rubber jaws	30 x 100mm	0.46 kg
TH240k-BP100	Pyramid jaws	30 x 100mm	0.45 kg
TH240k-BW100*	Wave jaws	30 x 100mm	0.51 kg
TH240k-BD100	Diamond jaws	30 x 100mm	0.45 kg

** Opening is reduced by 4 mm

Jaws with other dimensions and surface coatings on request

	Blank jaws - Applicable for own further treatments - Steel-blanks without coating
	Rubber jaws - 1mm rubber coating (NBR) - Nickel plated
	Pyramid jaws - Pyramids 1.2x45° - Hardened steel 58 HRC - Nickel plated
	V-jaws - For all kinds of round samples - Tooth pitch 1.2 mm - Hardened steel 58HRC - Nickel plated
	Wavejaws - For flexible materials - Wave 5 mm - Hardened steel 58HRC - Nickel plated
	Diamondjaws - Clamping surface coated with synthetic diamonds D91 (170/200 mesh) - Nickel plated

Specimen for V-jaws

BV3 jaws are preferable for samples with a larger diameter, clamping height 30 mm

	TH240k	TH240k-S20	TH240k-S30	TH240k-S50
TH240k-BV2	Ø 2 – 9 mm	Ø 2- 20 mm	Ø 2- 30 mm	Ø 2 – 50 mm
TH240k-BV3	Ø 3 – 9 mm	Ø 3 – 20 mm	Ø 3 - 30 mm	Ø 3 – 50 mm



Inset jaws for TH240k: Scope of delivery 1 Set = 4 jaws

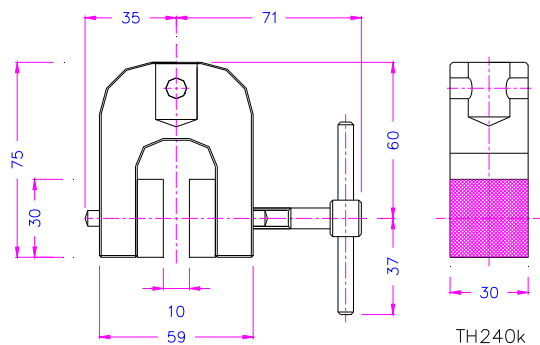
For a quick change of jaws, inset jaws require carriers (TH240k-GT)
The specified openings are reduced by 6mm

Item number	Surface	Clamping surface H x W	Weight Per pair
TH240k-GT	Carrier	-	0.12 kg
TH240k-EB	Blank Inset jaws	30 x 36mm	0.05kg
TH240k-EBG	Rubber Inset jaws	30 x 36mm	0.06 kg
TH240k-EBP	Pyramid Inset jaws	30 x 36mm	0.05kg
TH240k-EBD	Diamond Inset jaws	30 x 36mm	0.05kg

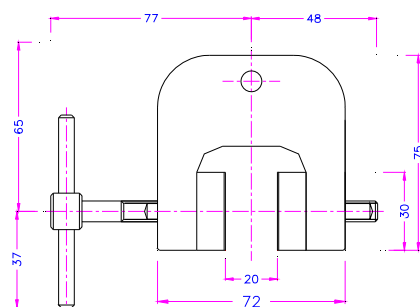
Inset jaws with other dimensions and surface coatings on request



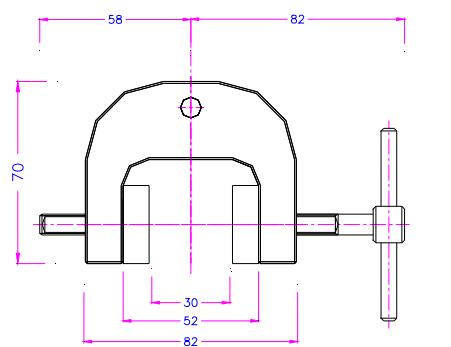
TH240k



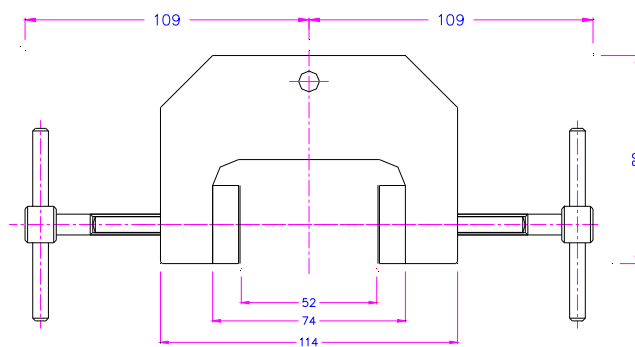
TH240k



TH240k-S20

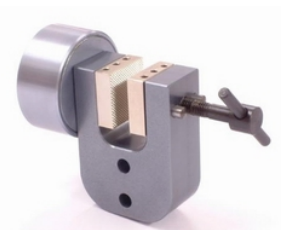


TH240k-S30



TH240k-S50

Pneumatic versions (see data sheet TH240k+ko)



TH240k+ko with TH240k+BP pyramid jaws



TH240k-S20+2ko with TH240k-EBP pyramid inset jaws