

**PNEUMATIC VISE GRIPS**

Simple pneumatic vise grips for universal use  
 Also as manual vise grip available see [TH240k data sheet](#)

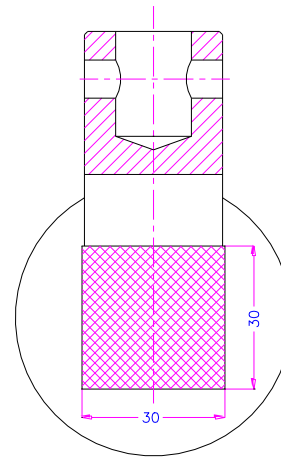
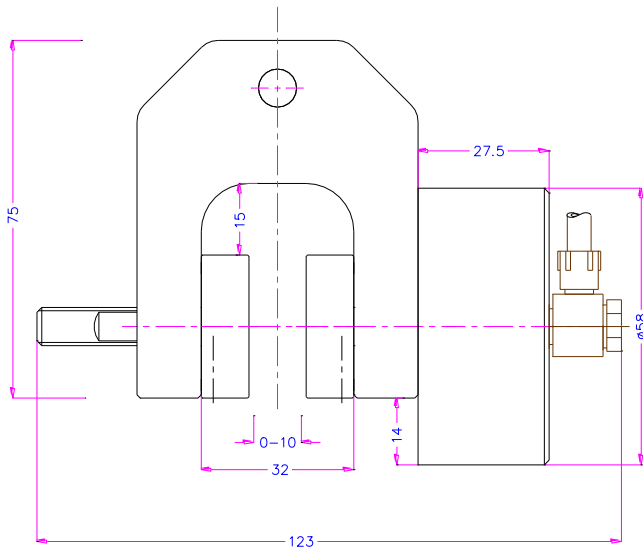
<b>Item no.:</b>	<b>TH240k+Ko</b> <b>TH240k+2Ko</b>
Clamping force:	1.2 kN at 7 bar (2.5 kN at 16 bar with TH216 compressor)
Jaw opening:	0-10 mm depending on jaw type (see p. 5)
Standard coupling:	Af15.9 mm or Af20 mm Further couplings on request
Pneumatic connection:	M5 internal thread
Body:	Anodized aluminium
Jaws:	Steel, nickel-plated
Standard temperature range:	0 ... +70°C Further temperature ranges on request
Weight per grip without jaws:	0.4 kg (TH240k+Ko) 0.6 kg (TH240k+2Ko)
Scope of supply:	1 pair of grips without jaws



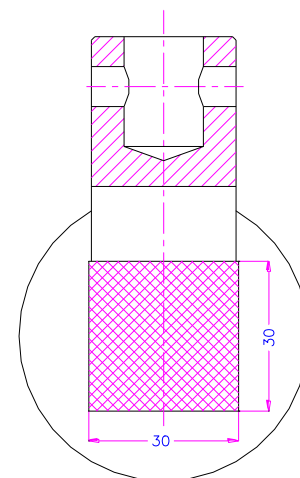
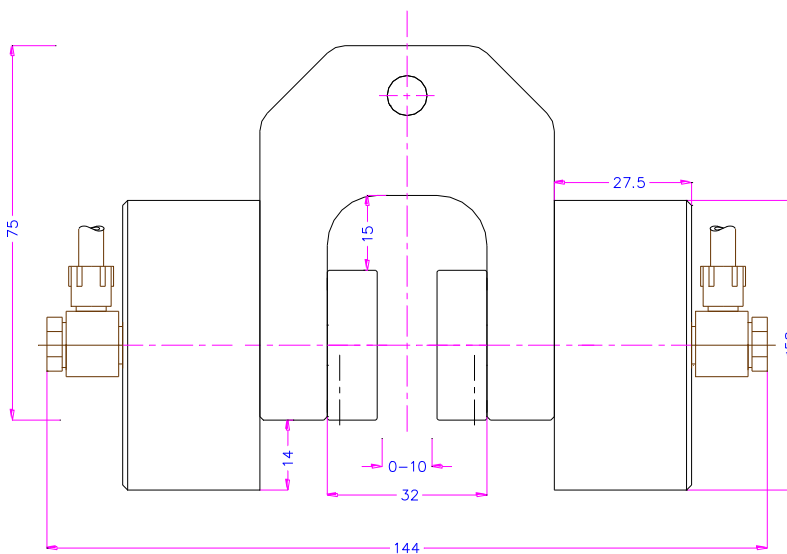
TH240k+Ko



TH240k+2Ko



TH240k+Ko



TH240k+2Ko

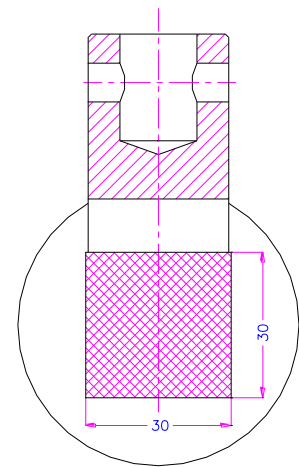
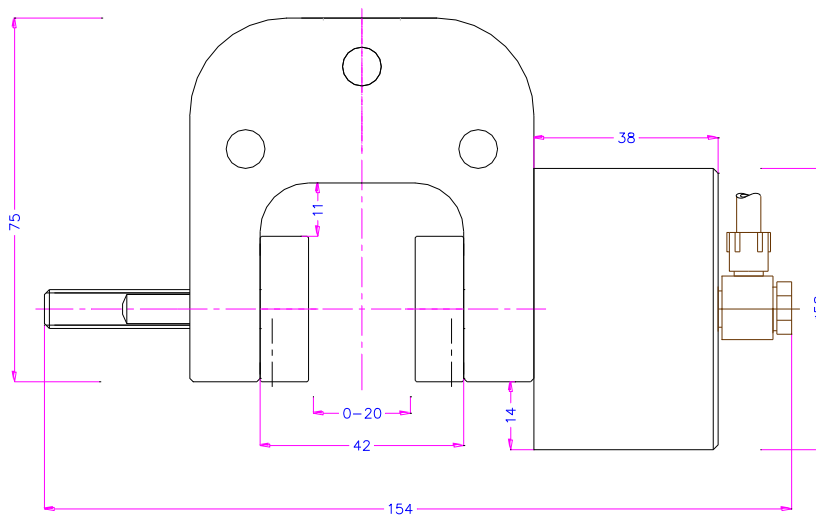
<b>Item no.:</b>	<b>TH240k-S20+Ko</b> <b>TH240k-S20+2Ko</b>
Clamping force:	1.2 kN at 7 bar (2.5 kN at 16 bar with TH216 compressor)
Jaw opening:	0-20 mm depending on jaw type (see p. 5)
Standard coupling:	Af15.9 mm or Af20 mm Further couplings on request
Pneumatic connection:	M5 internal thread
Body:	Anodized aluminium
Jaws:	Steel, nickel-plated
Standard temperature range:	0 ... +70°C Further temperature ranges on request
Weight per grip without jaws:	0.5 kg (TH240k-S20+Ko) 0.7 kg (TH240k-S20+2Ko)
Scope of supply:	1 pair of grips without jaws



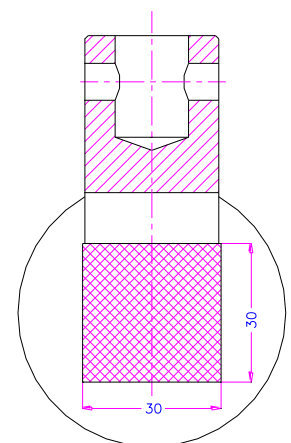
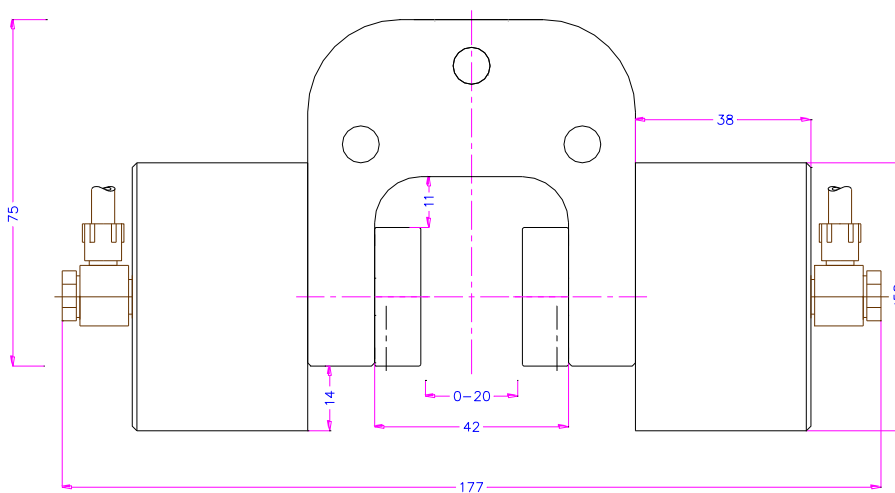
TH240k-S20+Ko



TH240k-S20+2Ko



TH240k-S20+Ko



TH240k-S20+2Ko

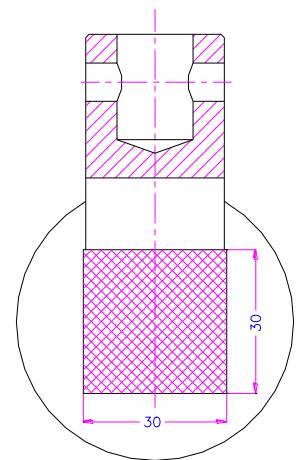
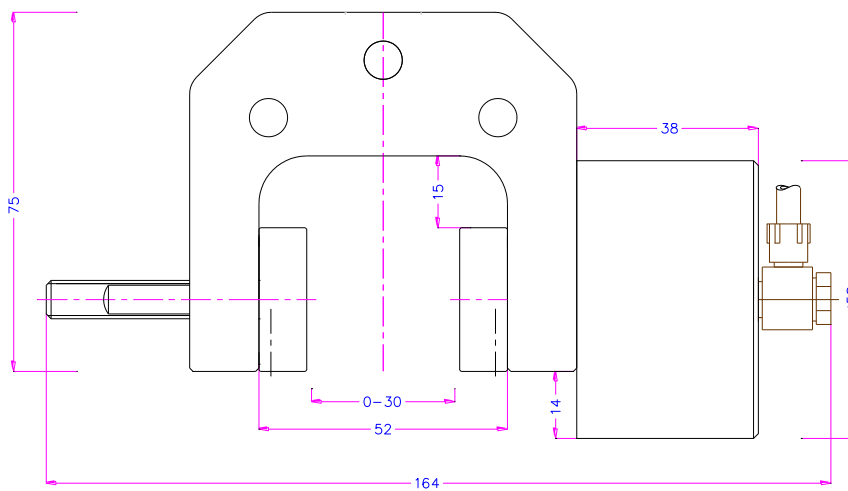
<b>Item no.:</b>	<b>TH240k-S30+Ko</b> <b>TH240k-S30+2Ko</b>
Clamping force:	1.2 kN at 7 bar (2.5 kN at 16 bar with TH216 compressor)
Jaw opening:	0-30 mm depending on jaw type (see p. 5)
Standard coupling:	Af15.9 mm or Af20 mm Further couplings on request
Pneumatic connection:	M5 internal thread
Body:	Anodized aluminium
Jaws:	Steel, nickel-plated
Standard temperature range:	0 ... +70°C Further temperature ranges on request
Weight per grip without jaws:	0.54 kg (TH240k-S30+Ko) 0.74 kg (TH240k-S30+2Ko)
Scope of supply:	1 pair of grips without jaws



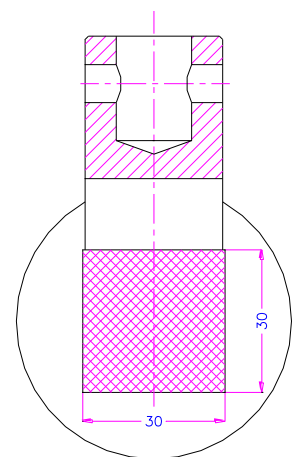
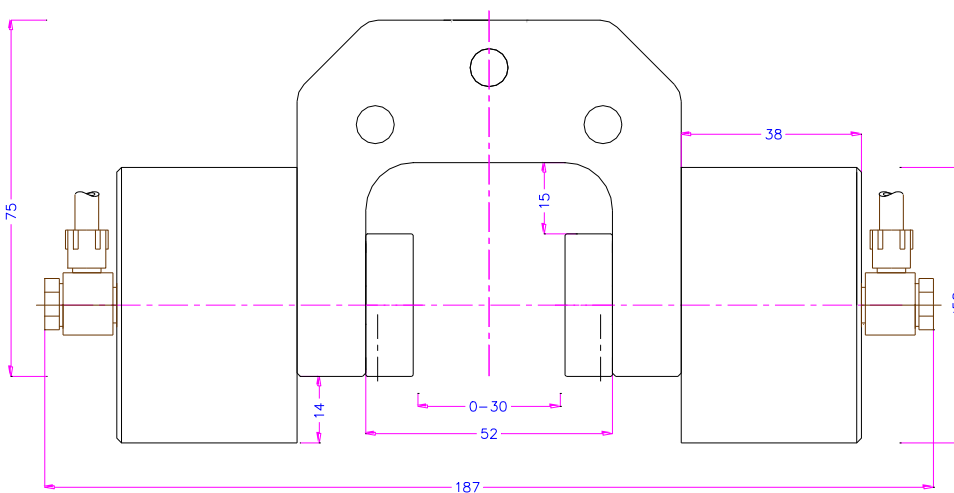
TH240k-S30+Ko



TH240k-S30+2Ko



TH240k-S30+Ko



TH240k-S30+2Ko

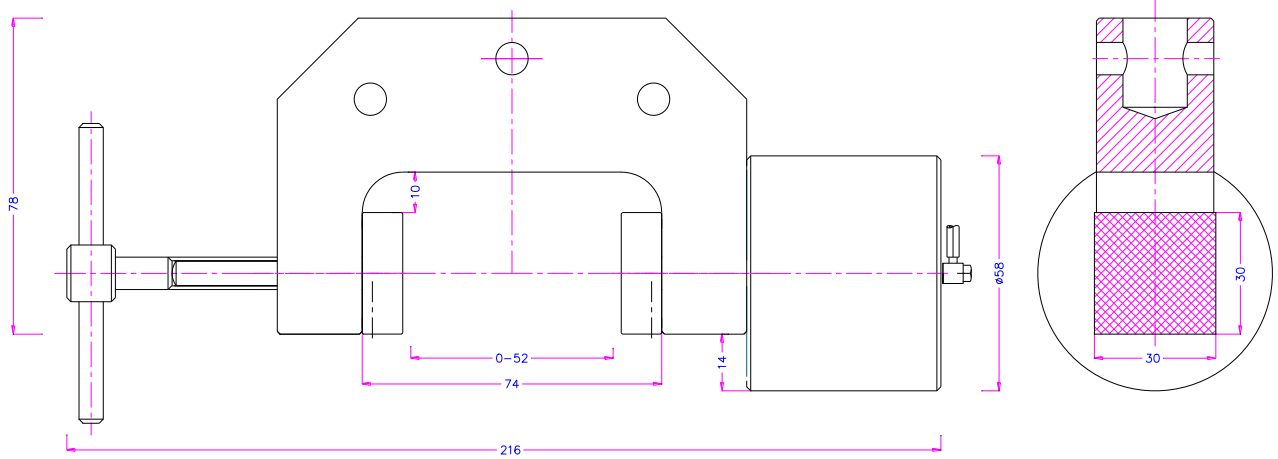
<b>Item no.:</b>	<b>TH240k-S50+Ko</b> <b>TH240k-S50+2Ko</b>
Clamping force:	1.2 kN at 7 bar (2.5 kN at 16 bar with TH216 compressor)
Jaw opening:	0-52 mm depending on jaw type (see p. 5)
Standard coupling:	Af15.9 mm or Af20 mm Further couplings on request
Pneumatic connection:	M5 internal thread
Body:	Anodized aluminium
Jaws:	Steel, nickel-plated
Standard temperature range:	0 ... +70°C Further temperature ranges on request
Weight per grip without jaws:	0.8 kg (TH240k-S50+Ko) 1 kg (TH240k-S50+2Ko)
Scope of supply:	1 pair of grips without jaws



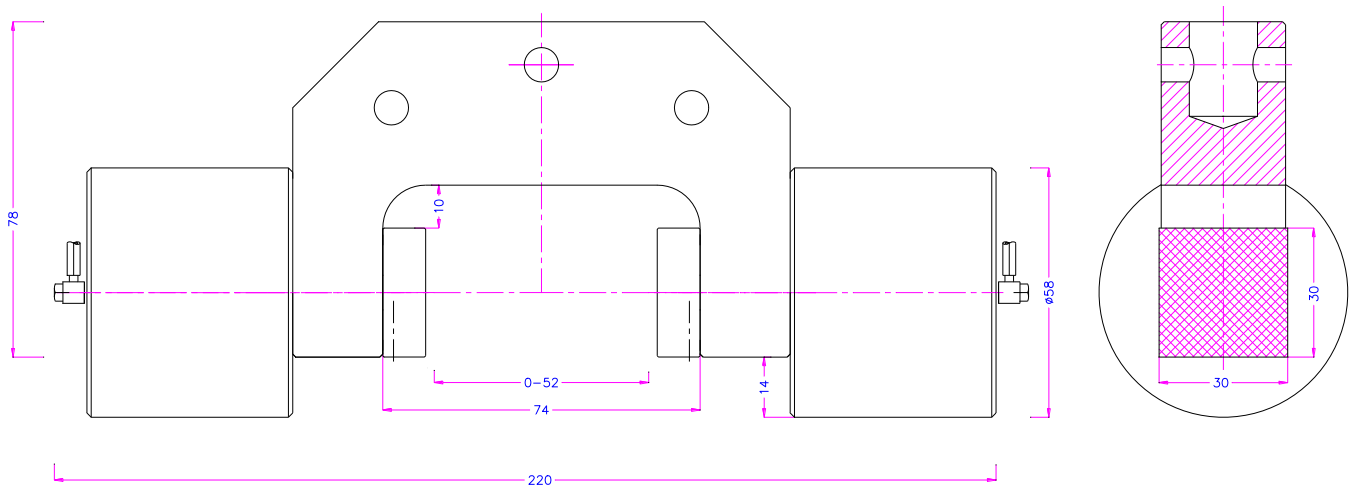
TH240k-S50+Ko



TH240k-S50+2Ko



TH240k-S50+Ko



TH240k-S50+2Ko

## Jaws for TH240k+Ko Series

Scope of delivery 1 set = 4 jaws

Item no.	Surface	Clamping surface H x W	Opening for TH240k	Opening for TH240k-S20	Opening for TH240k-S30	Opening for TH240k-S50	Weight per pair
TH240k-B	Blank jaws	30 x 30 mm	0 - 10 mm	0 - 20 mm	0 - 30 mm	0 - 52 mm	0.13 kg
TH240k-BG	Rubber jaws	30 x 30 mm	0 - 8 mm	0 - 18 mm	0 - 28 mm	0 - 50 mm	0.13 kg
TH240k-BP	Pyramid jaws	30 x 30 mm	0 - 10 mm	0 - 20 mm	0 - 30 mm	0 - 52 mm	0.12 kg
TH240k-BV2	V-jaws	30 x 30 mm	Ø 2 - 9 mm	Ø 2 - 20 mm	Ø 2 - 30 mm	Ø 2 - 52 mm	0.12 kg
TH240k-BV3	V-jaws	30 x 30 mm	Ø 3 - 9 mm	Ø 3 - 20 mm	Ø 3 - 30 mm	Ø 3 - 52 mm	0.13 kg
TH240k-BW	Wave jaws	30 x 30 mm	0 - 10 mm	0 - 20 mm	0 - 30 mm	0 - 52 mm	0.12 kg
TH240k-BD	Diamond jaws	30 x 30 mm	0 - 10 mm	0 - 20 mm	0 - 30 mm	0 - 52 mm	0.13 kg
TH240k-BLC	Line-contact jaws	30 x 30 mm	0 - 6 mm	0 - 16 mm	0 - 26 mm	0 - 48 mm	0.13 kg
TH240k-B50	Blank jaws	30 x 50 mm	0 - 10 mm	0 - 20 mm	0 - 30 mm	0 - 52 mm	0.22 kg
TH240k-BG50	Rubber jaws	30 x 50 mm	0 - 8 mm	0 - 18 mm	0 - 28 mm	0 - 50 mm	0.23 kg
TH240k-BP50	Pyramid jaws	30 x 50 mm	0 - 10 mm	0 - 20 mm	0 - 30 mm	0 - 52 mm	0.21 kg
TH240k-BW50	Wave jaws	30 x 50 mm	0 - 10 mm	0 - 20 mm	0 - 30 mm	0 - 52 mm	0.20 kg
TH240k-BD50	Diamond jaws	30 x 50 mm	0 - 10 mm	0 - 20 mm	0 - 30 mm	0 - 52 mm	0.22 kg
TH240k-B80	Blank jaws	30 x 80 mm	0 - 10 mm	0 - 20 mm	0 - 30 mm	0 - 52 mm	0.36 kg
TH240k-BG80	Rubber jaws	30 x 80 mm	0 - 8 mm	0 - 18 mm	0 - 28 mm	0 - 50 mm	0.37 kg
TH240k-BP80	Pyramid jaws	30 x 80 mm	0 - 10 mm	0 - 20 mm	0 - 30 mm	0 - 52 mm	0.35 kg
TH240k-BW80	Wave jaws	30 x 80 mm	0 - 10 mm	0 - 20 mm	0 - 30 mm	0 - 52 mm	0.32 kg
TH240k-BD80	Diamond jaws	30 x 80 mm	0 - 10 mm	0 - 20 mm	0 - 30 mm	0 - 52 mm	0.36 kg
TH240k-B100	Blank jaws	30 x 100 mm	0 - 10 mm	0 - 20 mm	0 - 30 mm	0 - 52 mm	0.45 kg
TH240k-BG100	Rubber jaws	30 x 100 mm	0 - 8 mm	0 - 18 mm	0 - 28 mm	0 - 50 mm	0.46 kg
TH240k-BP100	Pyramid jaws	30 x 100 mm	0 - 10 mm	0 - 20 mm	0 - 30 mm	0 - 52 mm	0.45 kg
TH240k-BW100	Wave jaws	30 x 100 mm	0 - 10 mm	0 - 20 mm	0 - 30 mm	0 - 52 mm	0.51 kg
TH240k-BD100	Diamond jaws	30 x 100 mm	0 - 10 mm	0 - 20 mm	0 - 30 mm	0 - 52 mm	0.45 kg

\*Scope of delivery TH240k-BLC: 1 set = 2 x TH240k-BG + 2 x TH240k-BLC jaws



### Blank jaws

- Applicable for own further treatments
- Steel-blanks without coating
- Nickel-plated



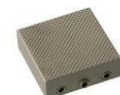
### Rubber jaws

- 1 mm rubber coating (NBR)
- Nickel-plated



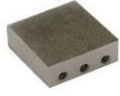
### TH240k-BV2 V-jaws

- For all kinds of round samples
- Tooth pitch 0.8 mm
- Hardened steel 58HRC
- Nickel-plated



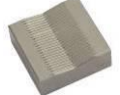
### Pyramid jaws

- Pyramids 1.2x45°
- Hardened steel 58 HRC
- Nickel-plated



### Diamond jaws

- Clamping surface coated with synthetic diamonds D91 (170/200 mesh)
- Nickel-plated



### TH240k-BV3 V-jaws

- For all kinds of round samples
- Tooth pitch 1 mm
- Hardened steel 58HRC
- Nickel-plated



### Wave jaws

- For flexible materials
- Wave 5 mm
- Hardened steel 58HRC
- Nickel-plated



### Line-contact jaws

- Radius 3
- Nickel-plated

## Insert jaws for TH240k+Ko

Scope of delivery 1 set = 4 jaws

For a quick change of jaws, insert jaws require carriers.

### Carriers

Item no.		Weight per pair
TH240k-GT30	Carrier for insert jaws 30x30 mm, 30x50 mm	0.09 kg
TH240k-GT50	Carrier for insert jaws 30x50 mm, 30x100 mm	0.18 kg

### Insert jaws

Item no.	Surface	Clamping surface H x W	Opening for TH240k	Opening for TH240k-S20	Opening for TH240k-S30	Opening for TH240k-S50	Weight per pair
TH240k-EB	Blank insert jaws	30 x 30 mm	0 - 8 mm	0 - 18 mm	0 - 28 mm	0 - 50 mm	0.05 kg
TH240k-EBG	Rubber insert jaws	30 x 30 mm	0 - 6 mm	0 - 16 mm	0 - 26 mm	0 - 48 mm	0.06 kg
TH240k-EBP	Pyramid insert jaws	30 x 30 mm	0 - 8 mm	0 - 18 mm	0 - 28 mm	0 - 50 mm	0.05 kg
TH240k-EBW	Wave insert jaws	30 x 30 mm	0 - 8 mm	0 - 18 mm	0 - 28 mm	0 - 50 mm	0.05 kg
TH240k-EBD	Diamond insert jaws	30 x 30 mm	0 - 8 mm	0 - 18 mm	0 - 28 mm	0 - 50 mm	0.06 kg
TH240k-EB50	Blank insert jaws	30 x 50 mm	0 - 4 mm	0 - 14 mm	0 - 24 mm	0 - 46 mm	0.14 kg
TH240k-EBG50	Rubber insert jaws	30 x 50 mm	0 - 2 mm	0 - 12 mm	0 - 22 mm	0 - 44 mm	0.14 kg
TH240k-EBP50	Pyramid insert jaws	30 x 50 mm	0 - 4 mm	0 - 14 mm	0 - 24 mm	0 - 46 mm	0.13 kg
TH240k-EBV3	V insert jaws	30 x 50 mm	Ø 3 - 4 mm	Ø 3 - 14 mm	Ø 3 - 24 mm	Ø 3 - 46 mm	0.13 kg
TH240k-EBW50	Wave insert jaws	30 x 50 mm	0 - 4 mm	0 - 14 mm	0 - 24 mm	0 - 46 mm	0.12 kg
TH240k-EBD50	Diamond insert jaws	30 x 50 mm	0 - 4 mm	0 - 14 mm	0 - 24 mm	0 - 46 mm	0.14 kg
TH240k-EB100	Blank insert jaws	30 x 100 mm	-	0 - 6 mm	0 - 16 mm	0 - 38 mm	0.37 kg
TH240k-EBG100	Rubber insert jaws	30 x 100 mm	-	0 - 4 mm	0 - 14 mm	0 - 36 mm	0.38 kg
TH240k-EBP100	Pyramid insert jaws	30 x 100 mm	-	0 - 6 mm	0 - 16 mm	0 - 38 mm	0.34 kg
TH240k-EBW100	Wave insert jaws	30 x 100 mm	-	0 - 6 mm	0 - 16 mm	0 - 38 mm	0.34 kg
TH240k-EBD100	Diamond insert jaws	30 x 100 mm	-	0 - 6 mm	0 - 16 mm	0 - 38 mm	0.37 kg

Jaws with other dimensions and surface coatings on request

**Pneumatic accessories:**



**TH205-1 Foot pedals**

None locking: The jaws of the grip open by pressing the foot pedal and close after removing the foot from the pedal.

Scope of delivery: 1 pair of foot switches including tubes and fittings



**TH205-2 Foot pedals**

With locking function: The jaws of the grip open by pressing the foot pedal and remain opened after removing the foot from the pedal. The jaws close by pressing the pedal one more time.

Scope of delivery: 1 pair of foot switches including tubes and fittings



**TH205-PR16bar Pressure regulator**

Optional for TH205-1 or TH205-2

To adjust air pressure: 1-16 bar



**TH205-3 Hand switches**

With locking function: The jaws of the grip close by pulling the handle and remain closed. The jaws open by pushing the handle back.

Scope of delivery: 1 unit of hand switches including tubes and fittings



**TH205-4-M5 Hand switches**

Pneumatic micro – hand switches, tubes and fittings, M5 connection

With locking function: The hand switches are directly installed at the grips, 3/2 directional valve.

Only for single action rods with spring inside.

Scope of supply: 2 hand switches including tubes and fittings



**TH216 Silent compressor for laboratories, oil-lubricated, with pressure reducer**

Max pressure 16 bar; 230 V/50 HZ; noise level: 38 dB(A)

Motor: 0.13 kW; displacement: 17 l/min; tank size 3.5 l

Dimensions: 340x290x340 mm (L x W x H); weight 18 kg