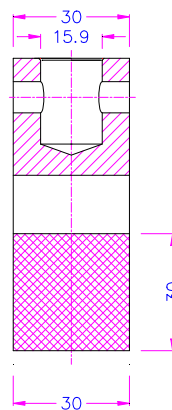
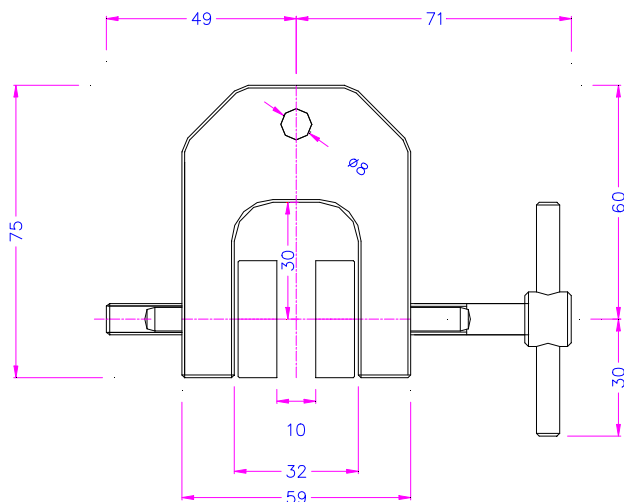


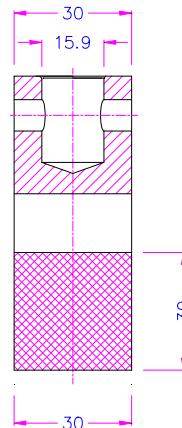
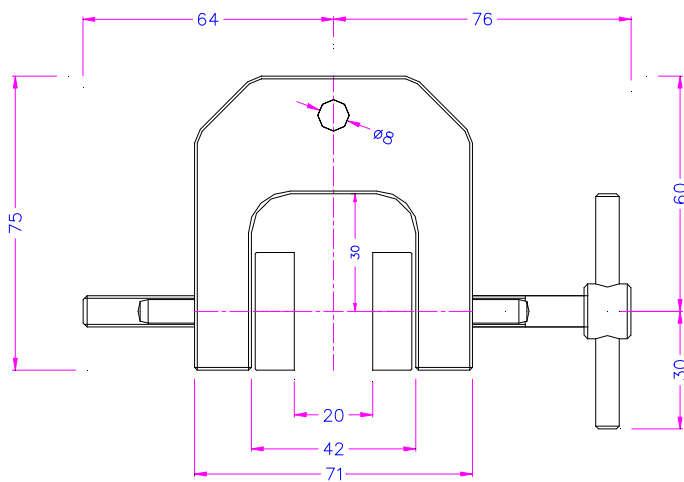
SCREW ACTION GRIPS

- Provide a simple and effective method to hold specimens
- Dual acting design, also for asymmetrical samples
- Jaws articulate and provide self-alignment and cause a self-tightening effect
- Also as pneumatic version available (see data sheet [TH240k+ko](#))

Item no.:	TH240k
Item no.:	TH240k-S20
Tensile force:	2.5 kN (TH240k) 2 kN (TH240k-S20)
Jaw opening:	0-10 mm (TH240k) 0-20 mm (TH240k-S20) depending on jaw type (see p. 3)
Standard coupling:	Af15.9 mm or Af20 mm Further couplings on request
Body:	Anodized aluminium
Jaws:	Steel, nickel-plated
Standard temperature range:	0 ... +70°C Further temperature ranges on request
Weight per grip without jaws:	0.27 kg (TH240k) 0.32 kg (TH240k-S20)
Scope of supply:	1 pair of grips without jaws

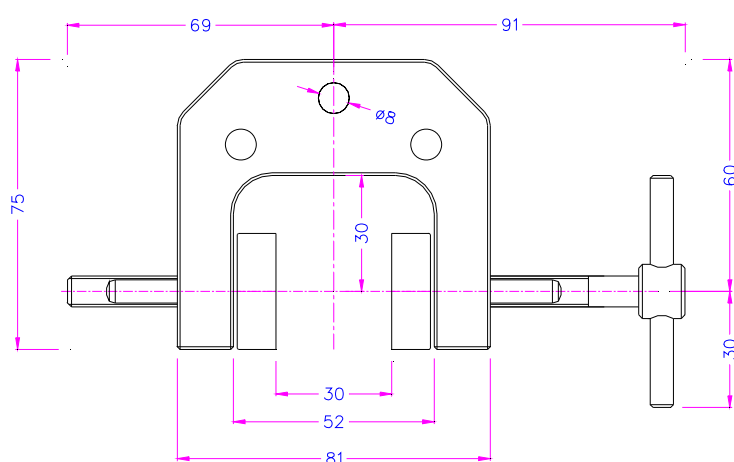


TH240k

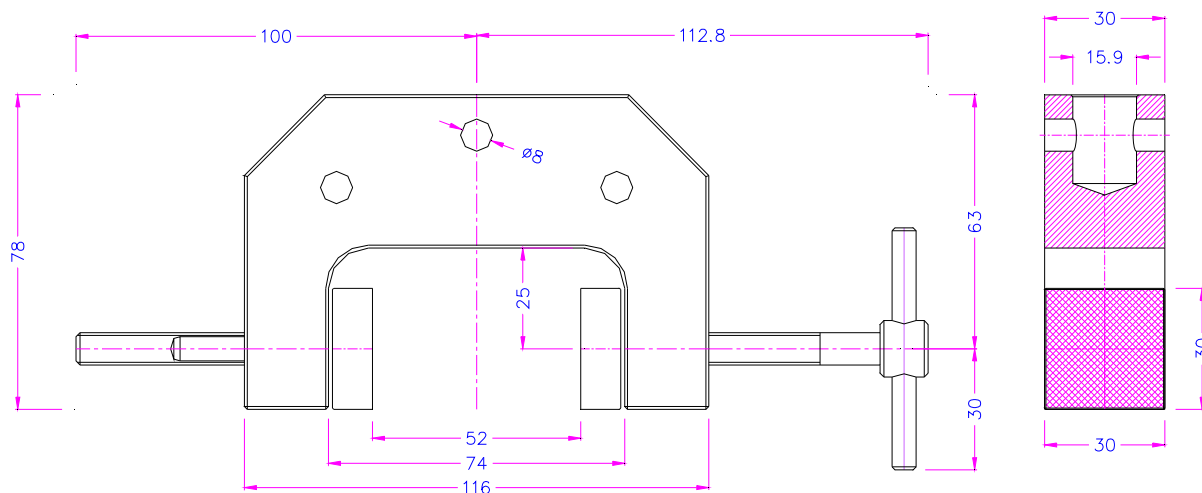


TH240k-S20

Item no.:	TH240k-S30
Item no.:	TH240k-S50
Clamping force:	1 kN
Jaw opening:	0-30 mm (TH240k-S30) 0-52 mm (TH240k-S50) depending on jaw type (see p. 3)
Standard coupling:	Af15.9 mm or Af20 mm Further couplings on request
Body:	Anodized aluminium
Jaws:	Steel, nickel-plated
Standard temperature range:	0 ... +70°C Further temperature ranges on request
Weight per grip without jaws:	0.33 kg (TH240k-S30) 0.49 kg (TH240k-S50)
Scope of supply:	1 pair of grips without jaws



TH240k-S30



TH240k-S50

Jaws for TH240k Series

Scope of delivery 1 set = 4 jaws

Item no.	Surface	Clamping surface H x W	Opening for TH240k	Opening for TH240k-S20	Opening for TH240k-S30	Opening for TH240k-S50	Weight per pair
TH240k-B	Blank jaws	30 x 30 mm	0 – 10 mm	0 - 20 mm	0 – 30 mm	0 – 52 mm	0.13 kg
TH240k-BG	Rubber jaws	30 x 30 mm	0 – 8 mm	0 - 18 mm	0 – 28 mm	0 – 50 mm	0.13 kg
TH240k-BP	Pyramid jaws	30 x 30 mm	0 – 10 mm	0 - 20 mm	0 – 30 mm	0 – 52 mm	0.12 kg
TH240k-BV2	V jaws	30 x 30 mm	Ø 2 – 10 mm	Ø 2- 20 mm	Ø 2- 30 mm	Ø 2 – 52 mm	0.12 kg
TH240k-BV3	V jaws	30 x 30 mm	Ø 3 – 10 mm	Ø 3 – 20 mm	Ø 3 - 30 mm	Ø 3 – 52 mm	0.13 kg
TH240k-BW	Wave jaws	30 x 30 mm	0 – 10 mm	0 - 20 mm	0 – 30 mm	0 – 52 mm	0.12 kg
TH240k-BD	Diamond jaws	30 x 30 mm	0 – 10 mm	0 - 20 mm	0 – 30 mm	0 – 52 mm	0.13 kg
TH240k-BLC*	Line-contact jaws	30 x 30 mm	0 – 6 mm	0 – 16 mm	0 – 26 mm	0 – 48 mm	0.13 kg
TH240k-B50	Blank jaws	30 x 50 mm	0 – 10 mm	0 - 20 mm	0 – 30 mm	0 – 52 mm	0.22 kg
TH240k-BG50	Rubber jaws	30 x 50 mm	0 – 8 mm	0 - 18 mm	0 – 28 mm	0 – 50 mm	0.23 kg
TH240k-BP50	Pyramid jaws	30 x 50 mm	0 – 10 mm	0 - 20 mm	0 – 30 mm	0 – 52 mm	0.21 kg
TH240k-BW50	Wave jaws	30 x 50 mm	0 – 10 mm	0 - 20 mm	0 – 30 mm	0 – 52 mm	0.20 kg
TH240k-BD50	Diamond jaws	30 x 50 mm	0 – 10 mm	0 - 20 mm	0 – 30 mm	0 – 52 mm	0.22 kg
TH240k-B80	Blank jaws	30 x 80 mm	0 – 10 mm	0 - 20 mm	0 – 30 mm	0 – 52 mm	0.36 kg
TH240k-BG80	Rubber jaws	30 x 80 mm	0 – 8 mm	0 - 18 mm	0 – 28 mm	0 – 50 mm	0.37 kg
TH240k-BP80	Pyramid jaws	30 x 80 mm	0 – 10 mm	0 - 20 mm	0 – 30 mm	0 – 52 mm	0.35 kg
TH240k-BW80	Wave jaws	30 x 80 mm	0 – 10 mm	0 - 20 mm	0 – 30 mm	0 – 52 mm	0.32 kg
TH240k-BD80	Diamond jaws	30 x 80 mm	0 – 10 mm	0 - 20 mm	0 – 30 mm	0 – 52 mm	0.36 kg
TH240k-B100	Blank jaws	30 x 100 mm	0 – 10 mm	0 - 20 mm	0 – 30 mm	0 – 52 mm	0.45 kg
TH240k-BG100	Rubber jaws	30 x 100 mm	0 – 8 mm	0 - 18 mm	0 – 28 mm	0 – 50 mm	0.46 kg
TH240k-BP100	Pyramid jaws	30 x 100 mm	0 – 10 mm	0 - 20 mm	0 – 30 mm	0 – 52 mm	0.45 kg
TH240k-BW100	Wave jaws	30 x 100 mm	0 – 10 mm	0 - 20 mm	0 – 30 mm	0 – 52 mm	0.51 kg
TH240k-BD100	Diamond jaws	30 x 100 mm	0 – 10 mm	0 - 20 mm	0 – 30 mm	0 – 50 mm	0.45 kg

*Scope of delivery TH240k-BLC: 1 set = 2 x TH240k-BG + 2 x TH240k-BLC jaws



Blank jaws

- Applicable for own further treatments
- Steel-blanks without coating
- Nickel-plated



Rubber jaws

- 1 mm rubber coating (NBR)
- Nickel-plated



V jaws TH240k-BV2

- For all kinds of round samples
- Tooth pitch 0.8 mm
- Hardened steel 58HRC
- Nickel-plated



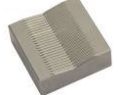
Pyramid jaws

- Pyramids 1.2x45°
- Hardened steel 58 HRC
- Nickel-plated



Diamond jaws

- Clamping surface coated with synthetic diamonds D91 (170/200 mesh)
- Nickel-plated



V jaws TH240k-BV3

- For all kinds of round samples
- Tooth pitch 1 mm
- Hardened steel 58HRC
- Nickel-plated



Wave jaws

- For flexible materials
- Wave 5 mm
- Hardened steel 58HRC
- Nickel-plated



Line-contact jaws

- Radius 3
- Nickel-plated

Insert jaws for TH240k

Scope of delivery 1 set = 4 jaws

For a quick change of jaws, insert jaws require carriers.

Carriers

Item no.		Weight per pair
TH240k-GT30	Carrier for insert jaws 30x30 mm, 30x50 mm	0.09 kg
TH240k-GT50	Carrier for insert jaws 30x50 mm, 30x100 mm	0.18 kg



Insert jaws

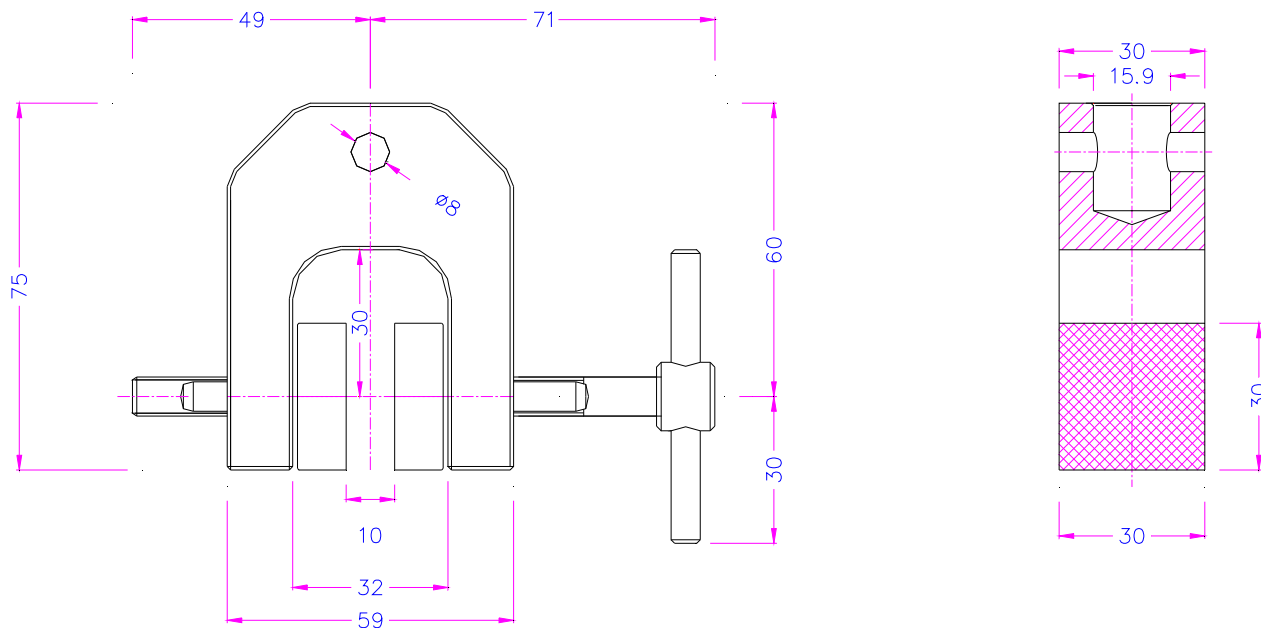
Item no.	Surface	Clamping surface H x W	Opening for TH240k	Opening for TH240k-S20	Opening for TH240k-S30	Opening for TH240k-S50	Weight per pair
TH240k-EB	Blank insert jaws	30 x 30 mm	0 – 8 mm	0 - 18 mm	0 – 28 mm	0 – 50 mm	0.05 kg
TH240k-EBG	Rubber insert jaws	30 x 30 mm	0 – 6 mm	0 - 16 mm	0 – 26 mm	0 – 48 mm	0.06 kg
TH240k-EBP	Pyramid insert jaws	30 x 30 mm	0 – 8 mm	0 - 18 mm	0 – 28 mm	0 – 50 mm	0.05 kg
TH240k-EBW	Wave insert jaws	30 x 30 mm	0 – 8 mm	0 - 18 mm	0 – 28 mm	0 – 50 mm	0.05 kg
TH240k-EBD	Diamond insert jaws	30 x 30 mm	0 – 8 mm	0 - 18 mm	0 – 28 mm	0 – 50 mm	0.06 kg
TH240k-EB50	Blank insert jaws	30 x 50 mm	0 – 4 mm	0 – 14 mm	0 – 24 mm	0 – 46 mm	0.14 kg
TH240k-EBG50	Rubber insert jaws	30 x 50 mm	0 – 2 mm	0 – 12 mm	0 – 22 mm	0 – 44 mm	0.14 kg
TH240k-EBP50	Pyramid insert jaws	30 x 50 mm	0 – 4 mm	0 – 14 mm	0 – 24 mm	0 – 46 mm	0.13 kg
TH240k-EBV3	V insert jaws	30 x 50 mm	Ø 3 – 4 mm	Ø 3 – 14 mm	Ø 3 – 24 mm	Ø 3 – 46 mm	0.13 kg
TH240k-EBW50	Wave insert jaws	30 x 50 mm	0 – 4 mm	0 – 14 mm	0 – 24 mm	0 – 46 mm	0.12 kg
TH240k-EBD50	Diamond insert jaws	30 x 50 mm	0 – 4 mm	0 – 14 mm	0 – 24 mm	0 – 46 mm	0.14 kg
TH240k-EB100	Blank insert jaws	30 x 100 mm	-	0 – 6 mm	0 – 16 mm	0 – 38 mm	0.37 kg
TH240k-EBG100	Rubber insert jaws	30 x 100 mm	-	0 – 4 mm	0 – 14 mm	0 – 36 mm	0.38 kg
TH240k-EBP100	Pyramid insert jaws	30 x 100 mm	-	0 – 6 mm	0 – 16 mm	0 – 38 mm	0.34 kg
TH240k-EBW100	Wave insert jaws	30 x 100 mm	-	0 – 6 mm	0 – 16 mm	0 – 38 mm	0.34 kg
TH240k-EBD100	Diamond insert jaws	30 x 100 mm	-	0 – 6 mm	0 – 16 mm	0 – 38 mm	0.37 kg

Jaws with other dimensions and surface coatings on request

Stainless steel version

Item no.: TH240k-A4

Tensile force:	5 kN
Jaw opening:	0-10 mm depending on jaw type
Standard coupling:	Af15.9 mm or Af20 mm Further couplings on request
Body:	Stainless steel A4 (AISI316)
Jaws:	Stainless steel A4 (AISI316)
Standard temperature range:	-60 ... +280°C depending on jaws
Weight per grip without jaws:	0.63 kg
Scope of supply:	1 pair of grips without jaws



Jaws for TH240k-A4

Scope of delivery: 1 set = 4 jaws

Item no.	Surface	Clamping surface H x W	Opening	Weight per pair
TH240k-B-A4	Blank jaws	30 x 30 mm	0 – 10 mm	0.13 kg
TH240k-BG-A4	Rubber jaws	30 x 30 mm	0 – 8 mm	0.13 kg
TH240k-BP-A4	Pyramid jaws	30 x 30 mm	0 – 10 mm	0.12 kg
TH240k-BV2-A4	V-jaws	30 x 30 mm	Ø 2 – 9 mm	0.13 kg
TH240k-BV3-A4	V-jaws	30 x 30 mm	Ø 3 – 9 mm	0.12 kg
TH240k-BW-A4	Wave jaws	30 x 30 mm	0 – 10 mm	0.12 kg
TH240k-BD-A4	Diamond jaws	30 x 30 mm	0 – 10 mm	0.13 kg

Jaws with other dimensions and surface coatings on request