

Wedge grips 20kN and 50kN

Multi purpose, self-tightening grips.

Suitable for metal or plastic specimens (with medium strength) etc.

Easy to use: The grips feature a lever arm for quick loading and releasing of the samples.

The wedge-shaped design of the jaws causes the clamping force to increase, as tension is applied during the test.



Item No.	TH243-20	TH243-50
Tensile force	20 kN	50 kN
Temperature range	0°C - +130°C (TH243-20) -70°C - +280°C (TH243-20-Ni) -70°C - +280°C (TH243-20+TK Option)	0°C - +130°C (TH243-50) -70°C - +280°C (TH243-50-Ni) -70°C - +280°C (TH243-50+TK Option)
Body	Steel, phosphate coated (TH243-20) Steel, nickel plated (TH243-20-Ni)	Steel, phosphate coated (TH243-50) Steel, nickel plated (TH243-50-Ni)
Weight	3.8 kg each grip (without jaws)	6.75 kg each grip (without jaws)



TH243-20-Ni

Wedge jaws for TH243 grips: scope of delivery 1 set = 4 jaws

Item No.	Surface	Clamping surface H x W	Opening	Weight per pair
TH243-BP	Pyramid (serrated) jaws	50 x 35mm	0 - 13mm	0.48 kg
TH243-BP16	Pyramid (serrated) jaws	50 x 35mm	4 - 16mm	0.41 kg
TH243-BV	V-jaws	Clamping height 50mm	3 - 13mm Ø	0.46 kg
TH243-BV16	V-jaws	Clamping height 50mm	4 - 16mm Ø	0.41 kg
TH243-BV20	V-jaws	Clamping height 50mm	10 - 20mm Ø	0.35kg

Jaws with other dimensions and surface coatings on request

TH243-BP Pyramid jaws

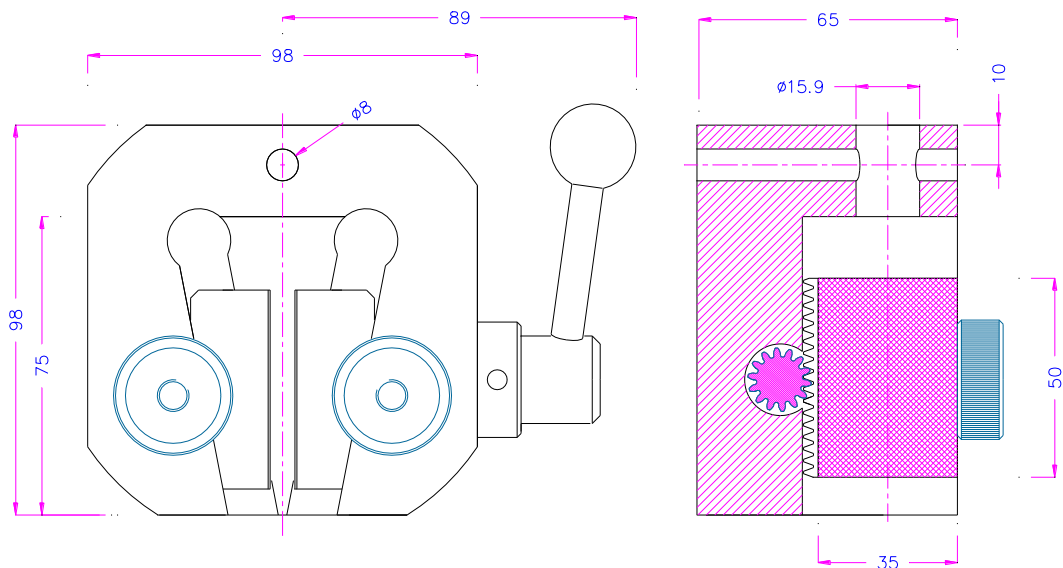
- Hardened steel 58 HRC
- Pyramids 1.2 x 45°

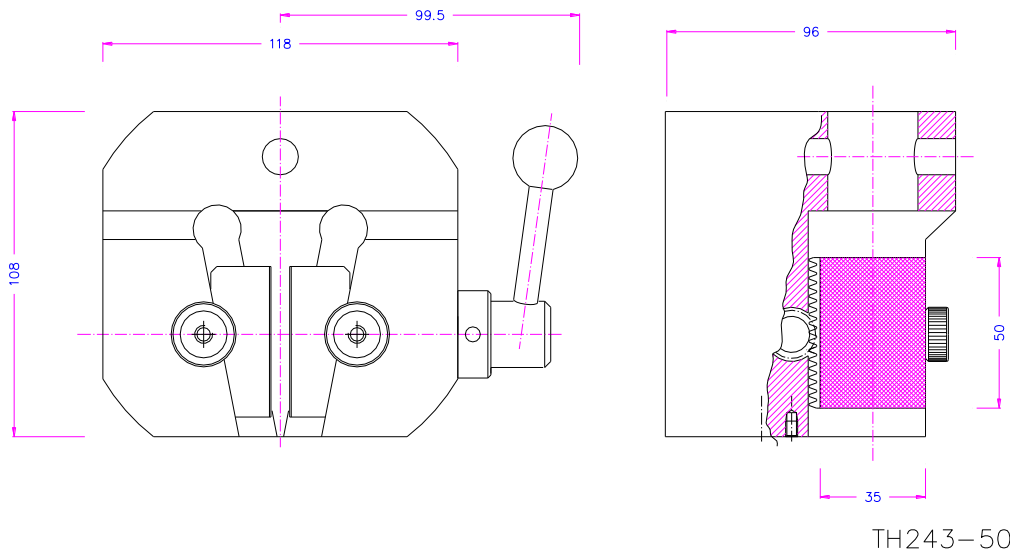
TH243-BV -V-jaws

- For all kinds of round samples
- Hardened steel 58 HRC
- Tooth pitch 1.2 mm



TH243-20+TK Option
(for TH243-20 and TH243-50)






Examples of other versions and custom built solutions



Ordering information

TH243 grips are supplied as a pair, but can also be ordered separately (0.5 pair). Grips and jaws need to be ordered separately.

	<p>With 3.15mm wires</p> <p>http://www.youtube.com/watch?v=Et5JAnJn8BU</p> <p>http://www.youtube.com/watch?v=AVNjl3bMCJg</p>
---	--

See also www.grip.de/G08