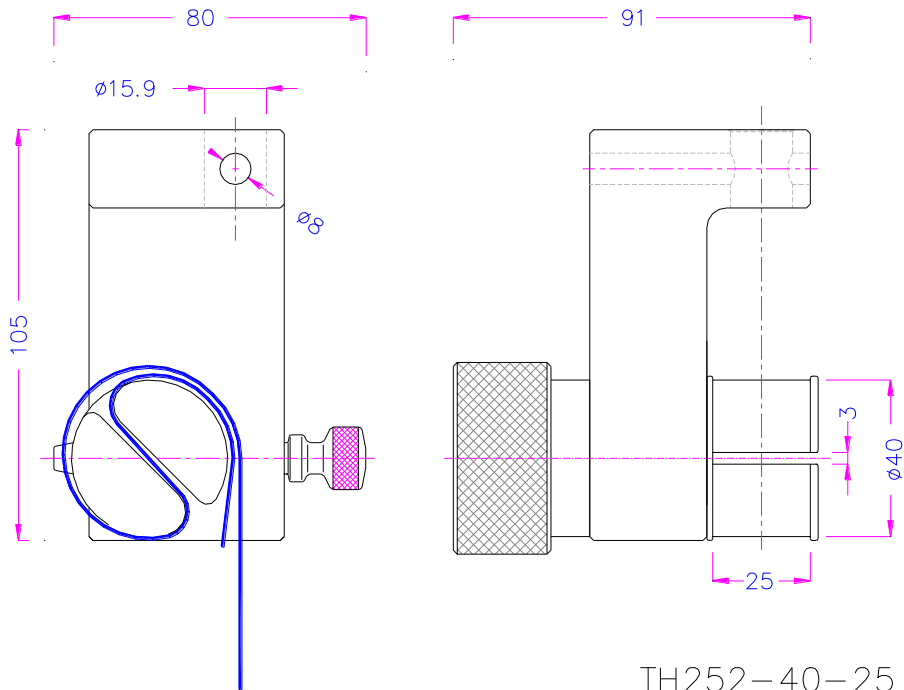


RIBBON GRIPS

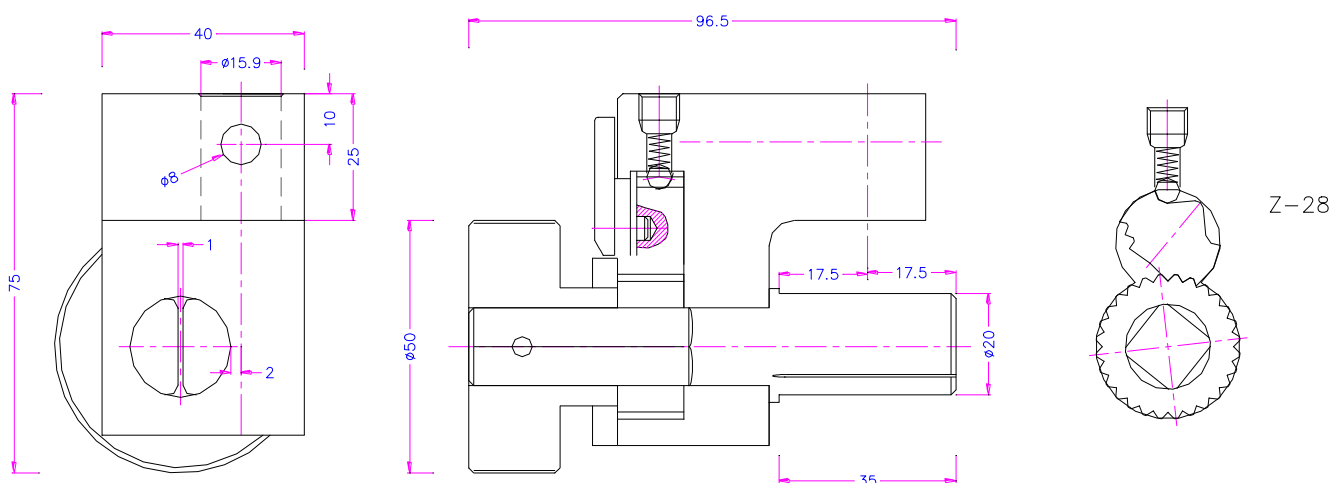
to test thin narrow webbing, straps and ribbons.
The sample is wrapped around a self-tightening roller to minimize its slippage.

| | |
|------------------------|--|
| Item no.: | TH252-40-25 |
| Max. load: | 20 kN |
| Max. sample thickness: | 2.5 mm (0.098 in) |
| Max. sample width: | 25 mm (0.98 in) |
| Min. sample length: | 550 mm (21.7 in) |
| Coupling: | Af159 or Af20 Further couplings on request |
| Body: | Anodized aluminium |
| Roller: | 40 mm (1.57 in) Ø; steel, nickel-plated |
| Temperature range: | 0 ... +70°C Further temperature ranges on request |
| Weight: | 1.2 kg per grip |
| Scope of delivery: | 1 pair of grips |



Ribbon grip with ratchet mechanism to test thin ribbons

| | |
|-----------------------------|--|
| Item no.: | TH252-20x35-RTCH |
| Max. load: | 5 kN |
| Max. sample thickness: | 1 mm (0.039 in) |
| Max. sample width: | 35 mm (1.38 in) |
| Min. sample length: | 300 mm (11.8 in) |
| Roller Ø: | 20 mm (0.78 in) |
| Number of ratchet teeth: | 28 |
| Coupling: | Af159 or Af20 Further couplings on request |
| Body: | Anodized aluminium |
| Ratchet, roller and handle: | Steel, nickel-plated |
| Temperature range: | 0 ... +70°C Further temperature ranges on request |
| Weight: | Ca. 0.8 kg per grip |
| Scope of delivery: | 1 pair of grips |

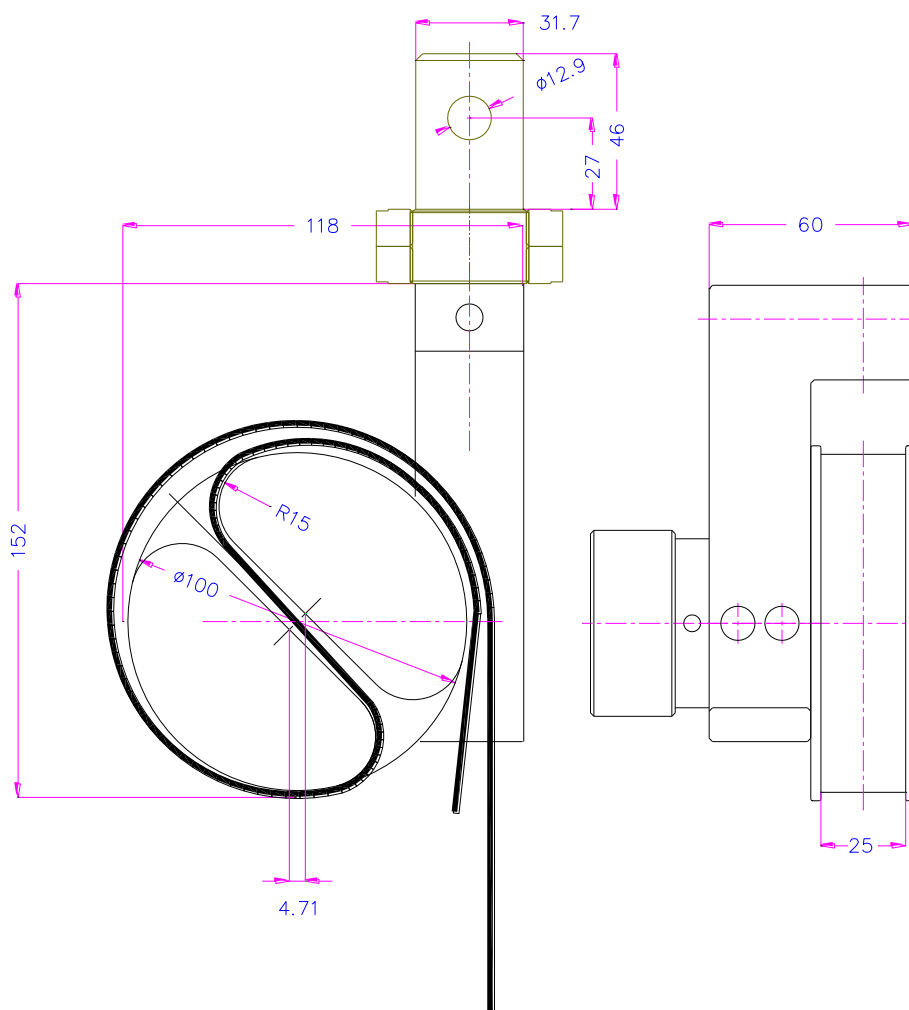


TH252-20x35-RTCH

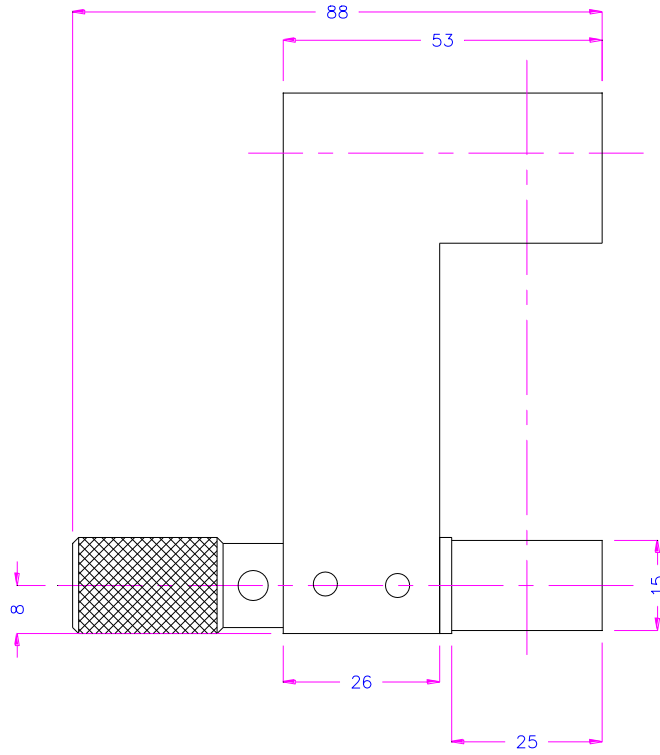
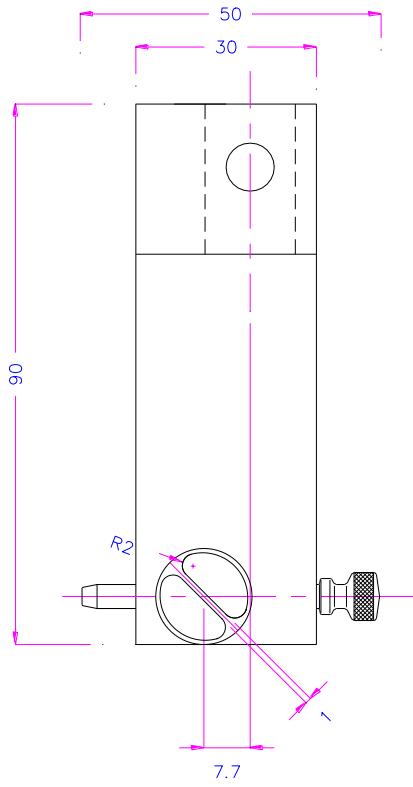
| | |
|--|--|
| | <p>Video How to insert a sample https://youtu.be/RnHQ_Zozp5I</p> |
|--|--|

Customized solutions:

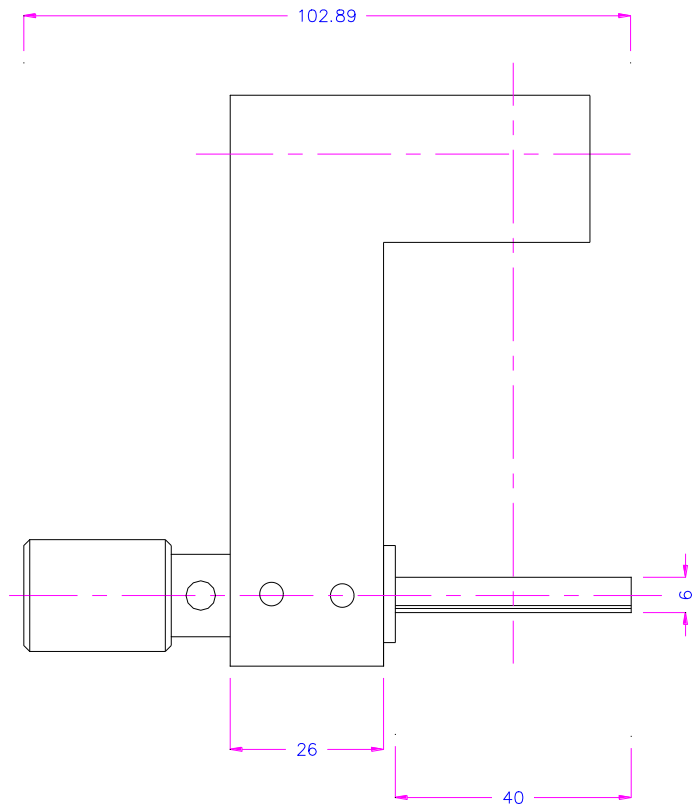
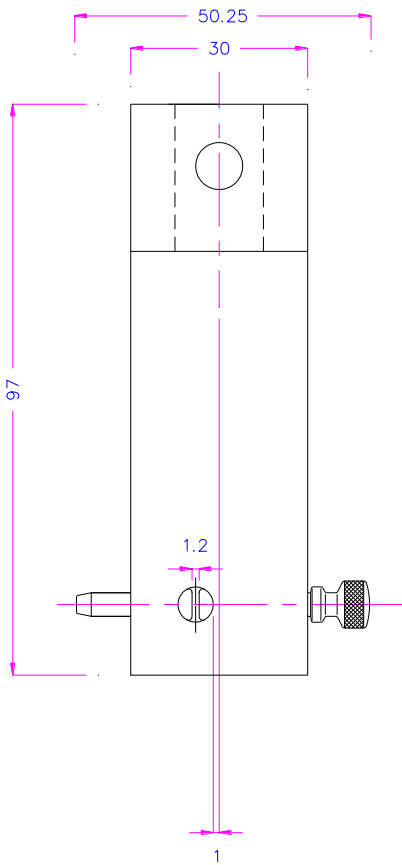
| | |
|------------------------|--|
| Item no.: | TH252-100-25 |
| Max. load: | 20 kN |
| Max. sample thickness: | 4 mm (0.16 in) |
| Max. sample width: | 25 mm (0.98 in) |
| Min. sample length: | 1300 mm |
| Roller Ø: | 100 mm (3.94 in) |
| Coupling: | Am 317 Further couplings on request |
| Body: | Steel, manganese phosphated |
| Temperature range: | 0 ... +70°C Further temperature ranges on request |
| Weight: | 6 kg per grip |
| Scope of delivery: | 1 pair of grips |



TH252-100-25



TH252-15-25-H8



TH252-6-40

Test videos:



TH252-40-25 20 kN

Blue ribbon, load 8000 N

<http://youtu.be/Cxrxt59rWrw>

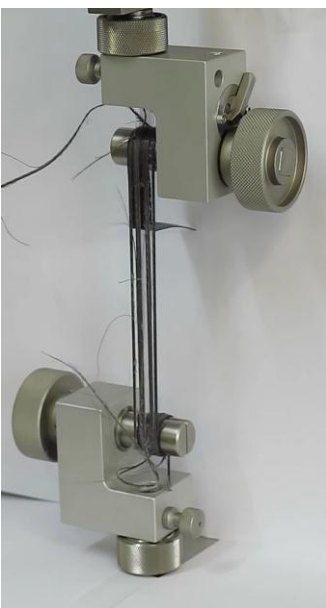
<http://youtu.be/Koi3Q4OUOtU>

<https://youtu.be/QVviRKLE014>

sample insertion

<https://youtu.be/ZkpwEuGVmO4>

tensile test



TH252-20x35-RTCH

<http://youtu.be/AILxrAHdKX4>