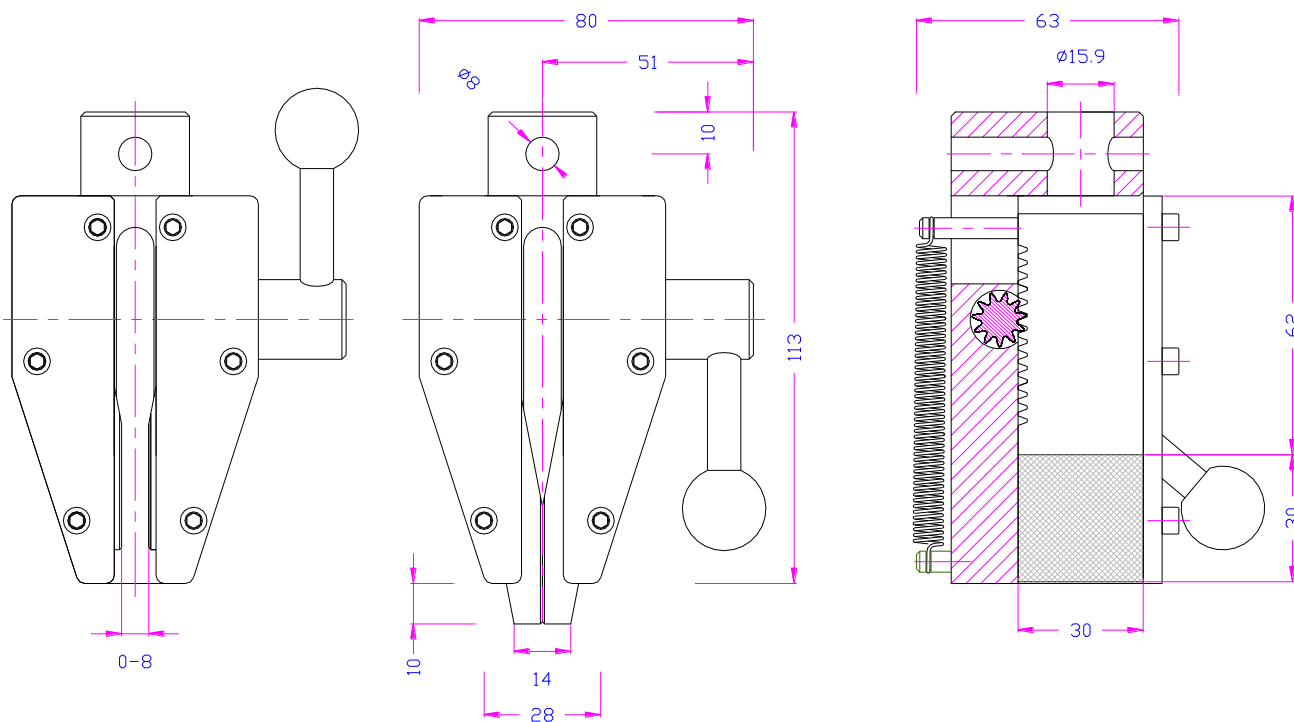


WEDGE GRIP 10 KN

for universal usage

Item no.: TH256

Tensile force:	10 kN
Jaw opening:	0-8 mm depending on jaws (see page 2)
Coupling:	Af159 or Af20. Further couplings on request.
Body:	Steel, nickel-plated
Jaws:	Steel, nickel-plated, hardened
Temperature range:	0°C ... +130°C (TH256) -70°C ... +280°C (TH256-T-70+280°C)
Weight:	1.36 kg each grip without jaws
Scope of supply:	1 pair of grips without jaws



Jaws for TH256

Scope of supply: 1 set = 4 jaws

Item no.	Surface	Clamping surface H x W	Opening	Weight 1 pair
TH256-B	Blank jaws	30 x 30 mm	0 – 8 mm	0.44 kg
TH256-BP	Pyramid (serrated) jaws	30 x 30 mm	0 – 8 mm	0.43 kg
TH256-BV	V jaws	Height 30 mm	3 – 8 mm Ø	0.44 kg
TH256-BG	Rubber-coated jaws	30 x 30 mm	0 – 6 mm	0.45 kg
TH256-BD	Diamond-coated jaws	30 x 30 mm	0 – 8 mm	0.44 kg



TH256-B
Blank jaws

- Suitable for own further treatments
- Nickel-plated



TH256-BP
Pyramid (serrated) jaws

- Multipurpose application range
- Pyramids 1x45°
- Hardened steel 58 HRC
- Nickel-plated



TH256-BV
V jaws

- For all kinds of round samples
- Tooth pitch 1 mm
- Hardened steel 58 HRC
- Nickel-plated



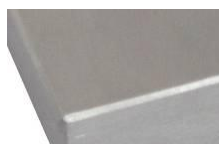
TH256-BG
Rubber-coated jaws

- 1 mm rubber coating (NBR)
- Nickel-plated



TH256-BD
Diamond jaws

- Clamping surface coated with synthetic diamonds D91 (170/200 mesh)
- Nickel-plated



Jaws with other dimensions and surface coatings on request



Item no.: TH256-T-70+280°C
Special version for temperature range -70...+280°C