

TH36 Aluminum compression platen

- Soft samples, cardboard, plastics, etc.
- Aluminum anodized
- Temperature range: -70°C - +180°C
- Max capacity depends on the size of coupling
- Scope of supply 1 pair

Item number	Dimensions	Weight/each platen
TH36-50-AL	50 x 50mm	0.20 kg
TH36-100-AL	100 x 100mm	0.52 kg
TH36-120-AL	120 x 120mm	0.78 kg
TH36-120x180-AL	120 x 180mm	1.14 kg
TH36-125x250-AL	125 x 250mm	1.73 kg
TH36-150-AL	150 x 150mm	1.23 kg
TH36-150x300-AL	150 x 300mm	2.35 kg
TH36-200-AL	200 x 200mm	2.10 kg
TH36-250-AL	250 x 250mm	3.40 kg
TH36-300-AL	300 x 300mm	4.35 kg
TH36-350-AL	350 x 350mm	6.60 kg
TH36-400-AL	400 x 400mm	8.70 kg

Further dimensions and versions on request



TH36-St Steel compression platen

- Hard materials, steel, plastics, stone etc.
- Hardened steel 58HRC
- Max capacity depends on the size of coupling
- Scope of supply 1 plate

Item number	Dimensions	Weight
TH36-100-St	100 x 100mm	1.54 kg
TH36-196-St	196 x 196mm	6.60 kg
TH36-246-St	246 x 246mm	10.40 kg
TH36-296-St	296 x 296mm	13.60 kg
TH36-396-St	396 x 396mm	33.00 kg

Further dimensions and versions on request

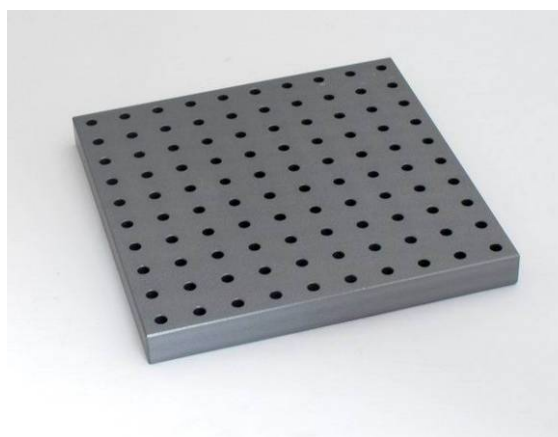


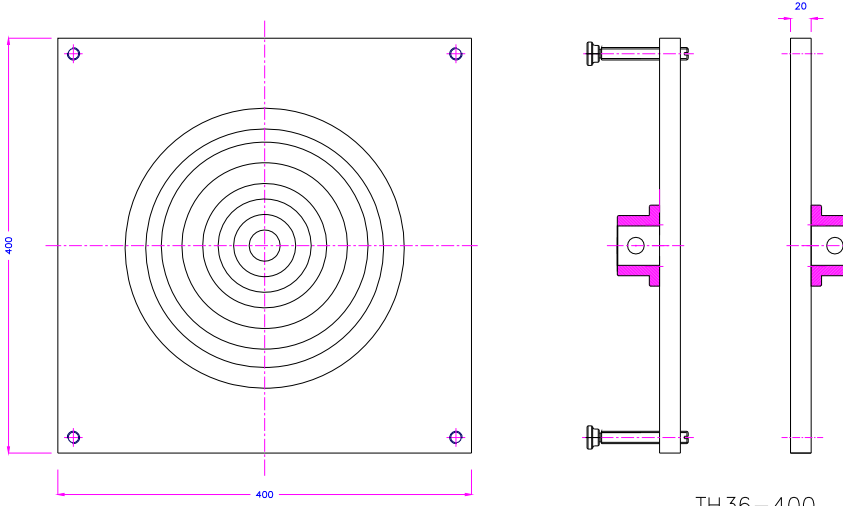



TH36-L Aluminum plate

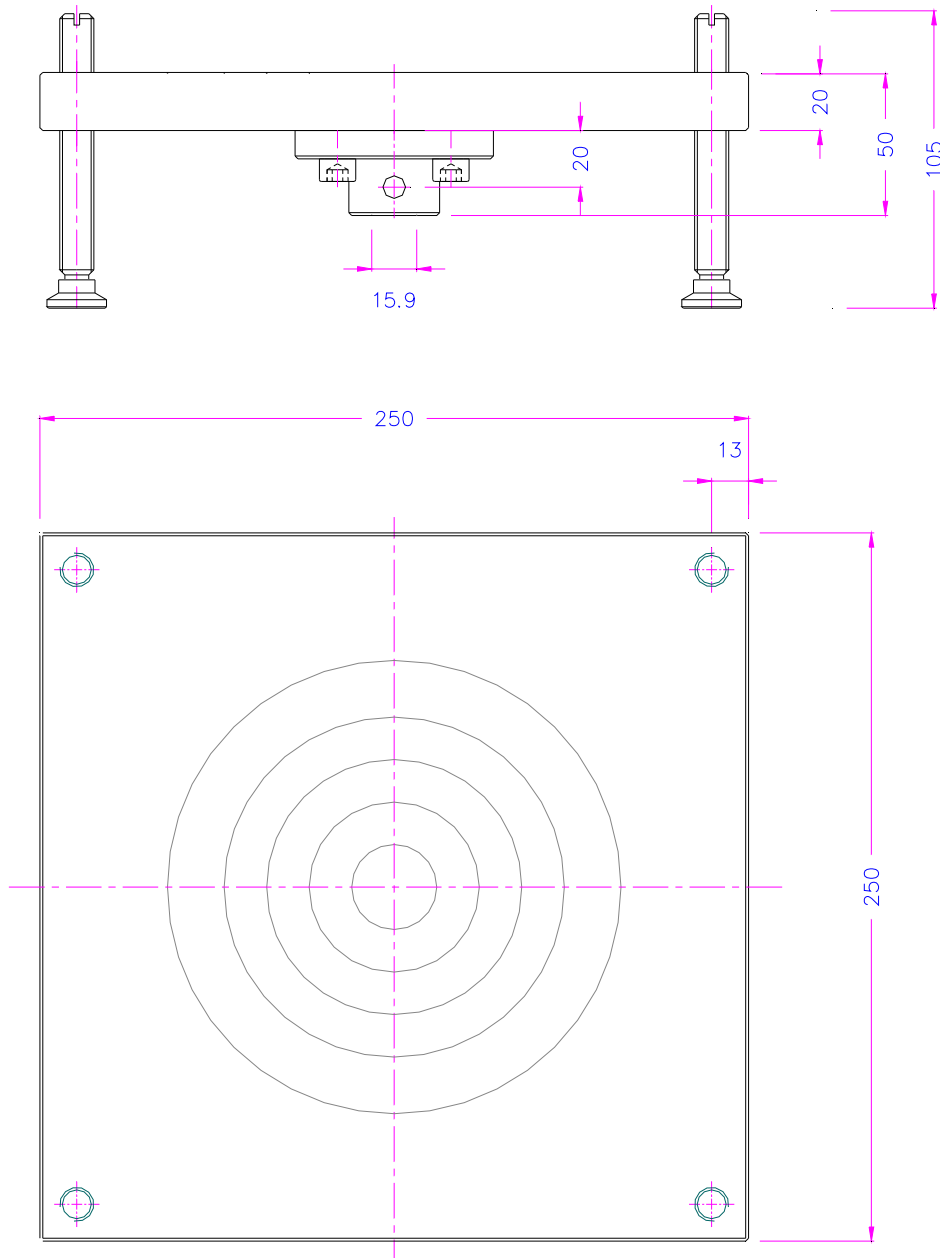
- Perforated platen suitable for foam testing.
- Aluminum anodized
- Diameter of holes: 6 mm spaced 20 mm
- Temperature range : 0°C - +180°C
- Max capacity depends on the size of coupling
- Scope of supply 1 plate

Item number	Dimensions	Weight
TH36L-150-L6x20	150 x 150mm	1.10kg
TH36L-200-L6x20	200 x 200mm	1.95kg
TH36L-400-L6x20	400 x 400mm	8.20 kg

Further dimensions and versions on request



 <p>TH36-400</p>	<p>TH36-400-AL</p>
	<p>TH36-D296-AL</p> <p>Round compression platen 296mm diameter</p>
	<p>Combination</p> <p>TH36-250-AL</p> <p>and</p> <p>THS223k-250x250-AL self angling, spherically seated</p> <p>(see also THS223)</p>
	<p>TH36L-D200-L6x200-Am16</p> <p>Custom made</p>



TH36-250-Af159