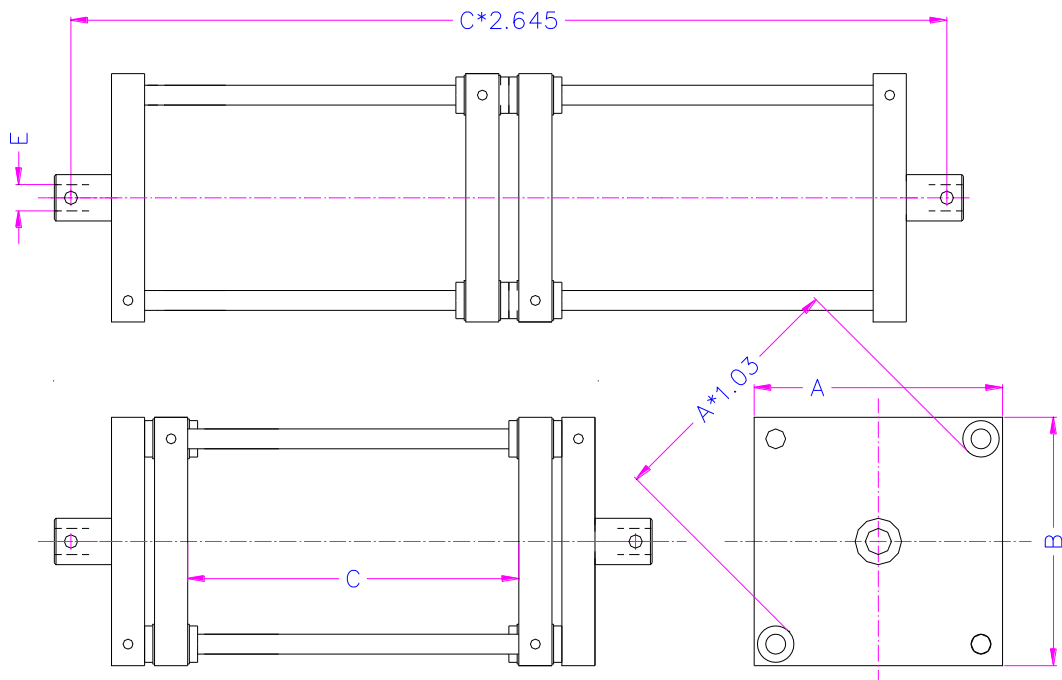


TH42

Cages

changes tension in
compression



TH42 - Ax B - C - E

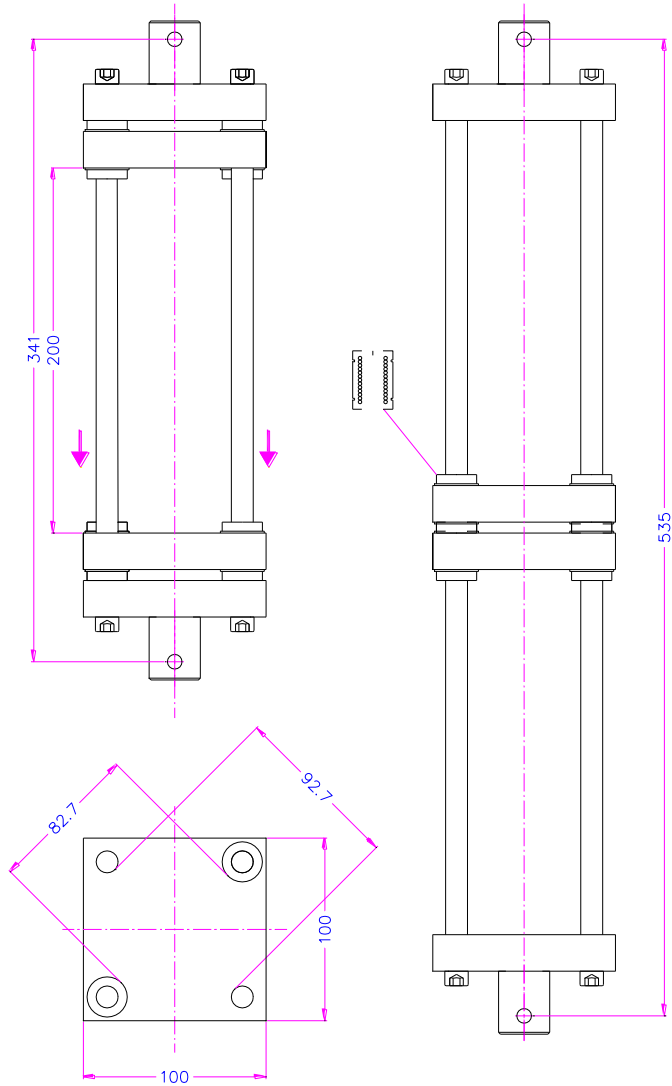
Usual made of TH36 platens	AxB	C	E
TH42-100	100x100	200	15.9
TH42-150	150x150	300	15.9
TH42-200	200x200	300	15.9
TH42-250	250x250	300	15.9
TH42-300	300x300	400	15.9
TH42-400	400x400	500	15.9

TH42-100x100-200

small cage
Alu platen 100x100mm
200mm movement
ball bearings

Adapter 5/8"
15.9/8mm

20kN



TH42-100x100-200

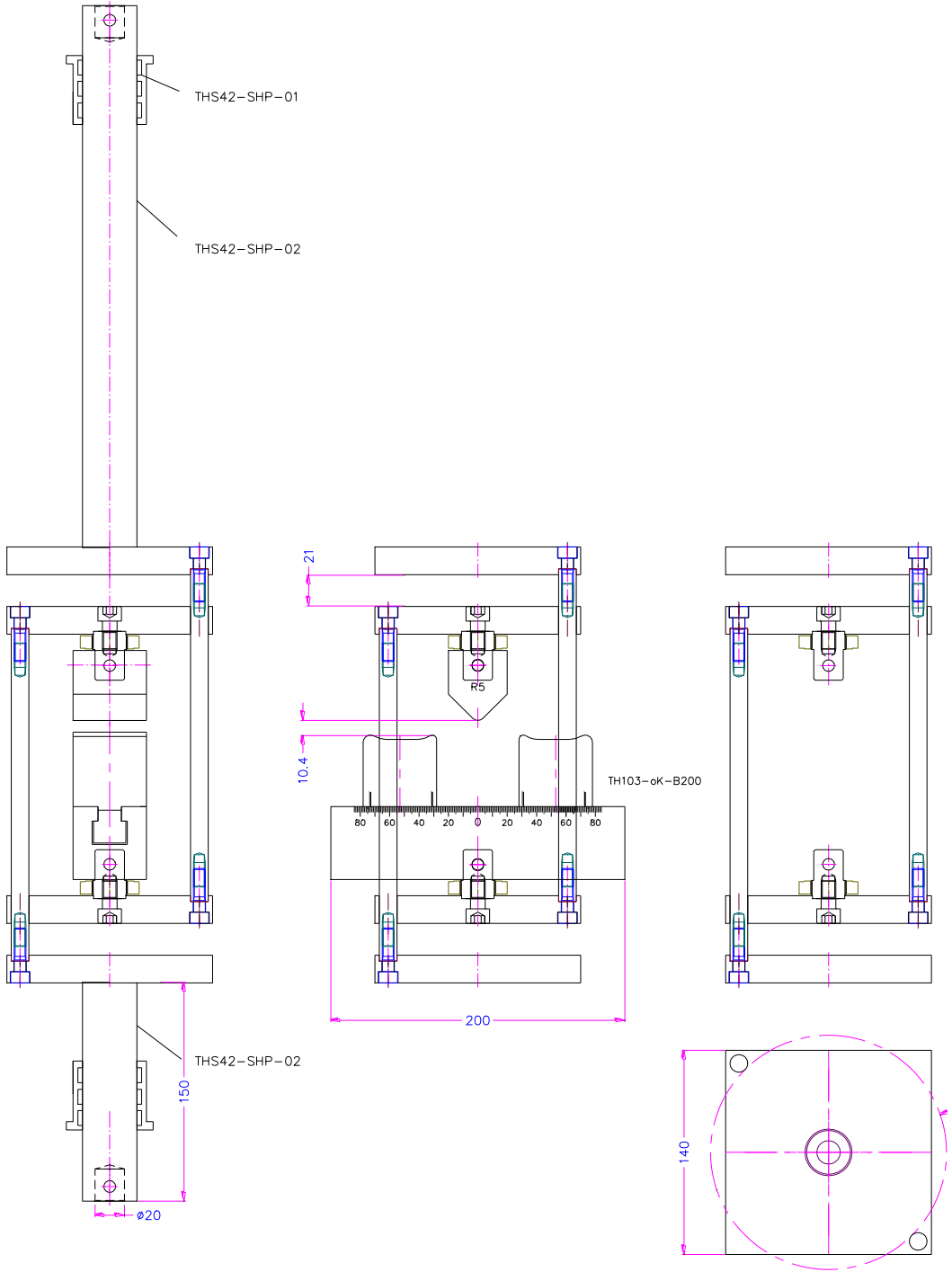
TH42-395x400-KB-20kN

Alu
Linear Bearings

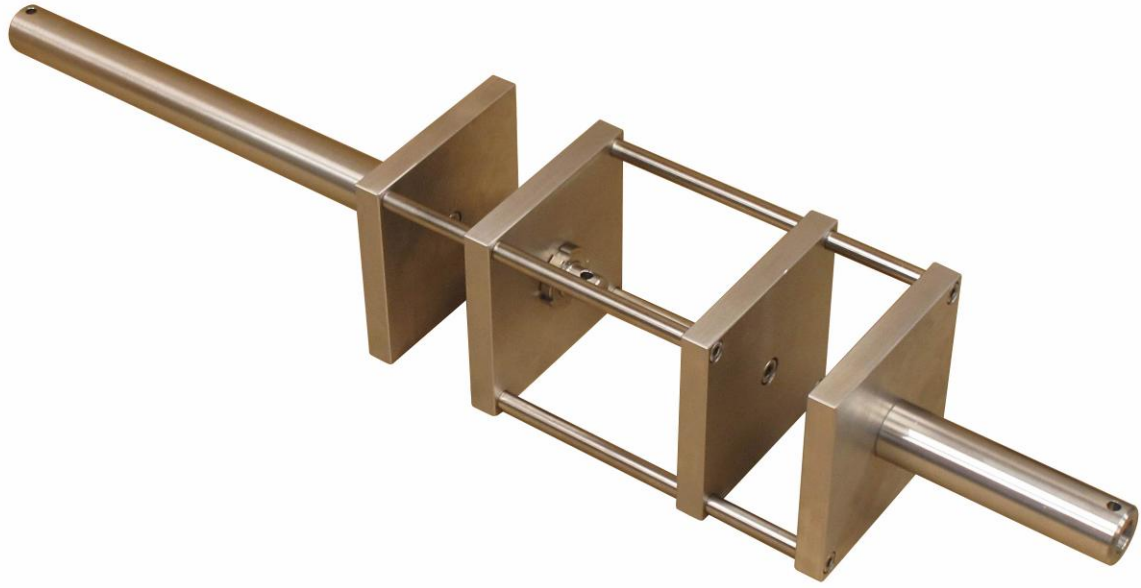


Special Cages

<p>TH42-140-220-S1114</p>	<p>Cage made of stainless steel 140x140mm With an male adapter for a bending device Teflonbushes Cage has no linear bearing T280°C usage</p>
---------------------------	---



TH42-140-220-S1114 + TH103 for TH2700 chamber



TH42-140-220-S1114

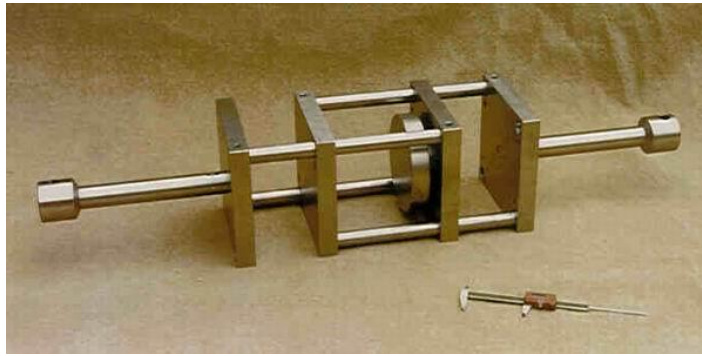


TH42-150x150-T280 Am159

TH160

With a spherical seated platen

Platen 396x396mm



THS392

With plate springs

Allows a slow increase of load



TH72-8719-3-Af60

250kN

146 mm dia



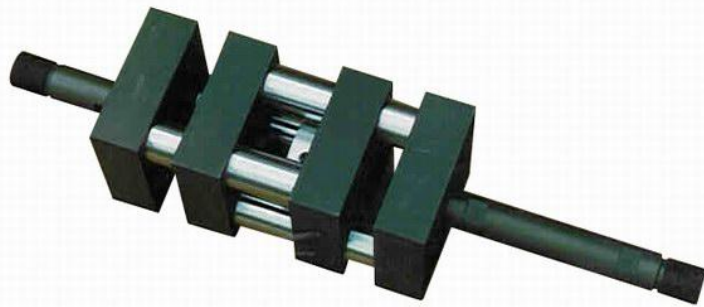
THS350-MPA

plastic spring

for adjusting load to a tensile frame



TH72-2004



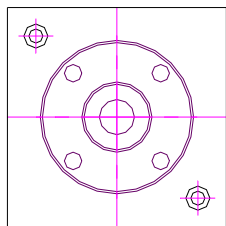
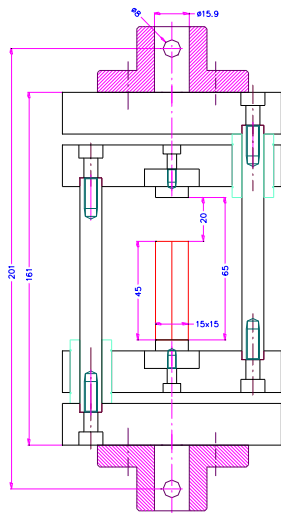
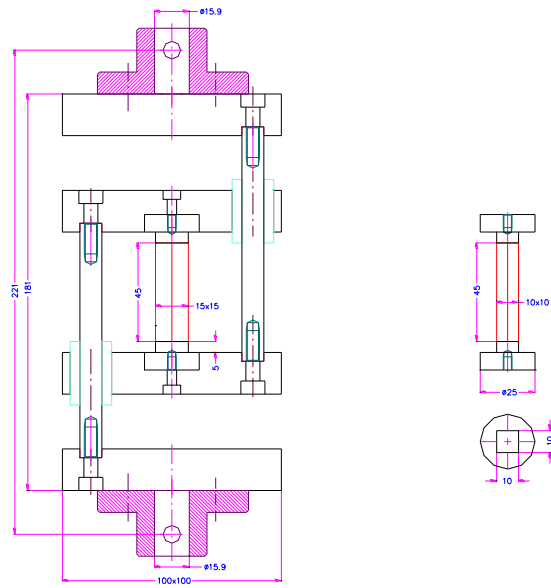
TH42-100-KB-50-T200-
Ni
S1

50kN

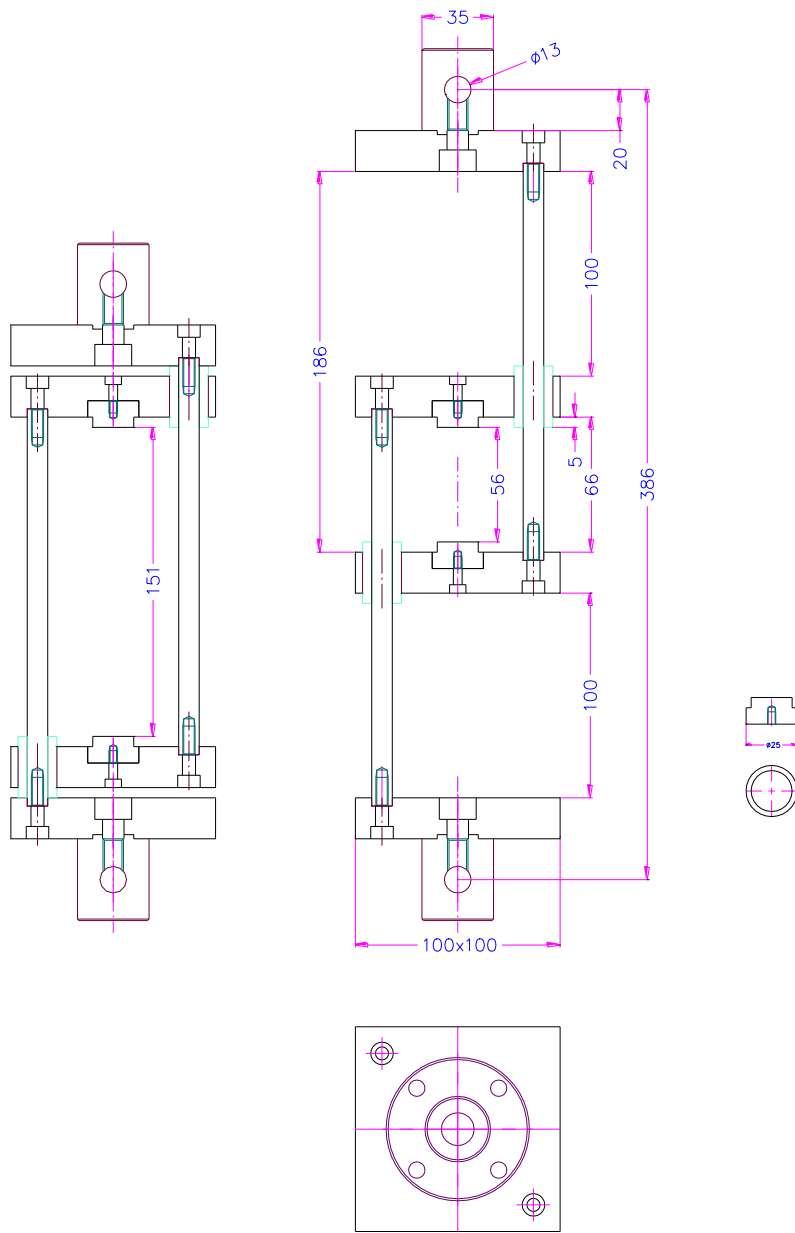
Steel 100x100
Nickel
Chamber usage
Special compression
point

Linear Bearings for
T200°C

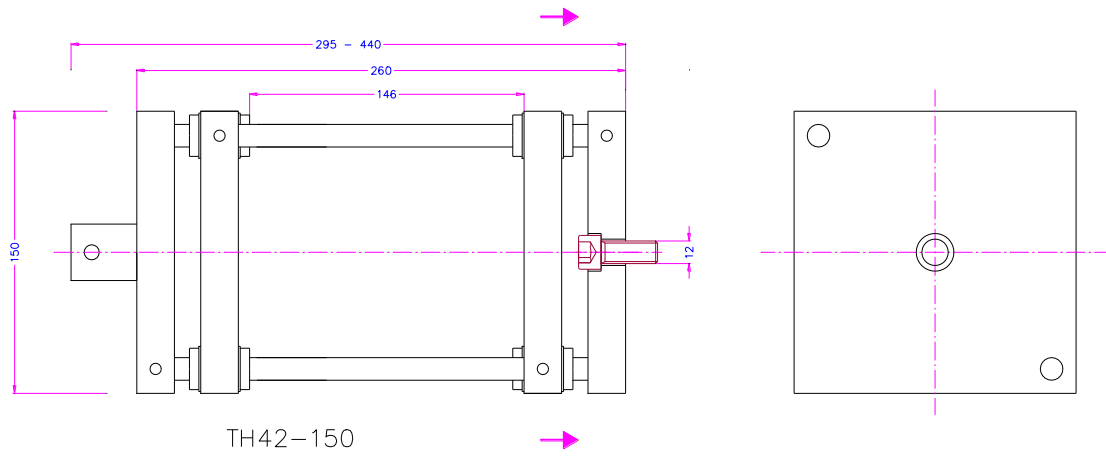
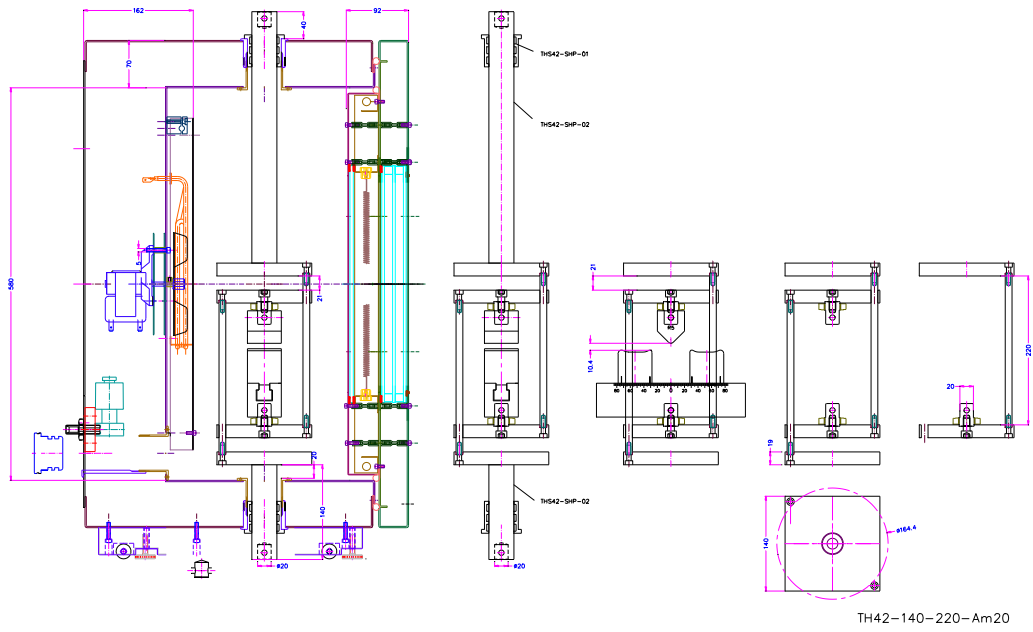


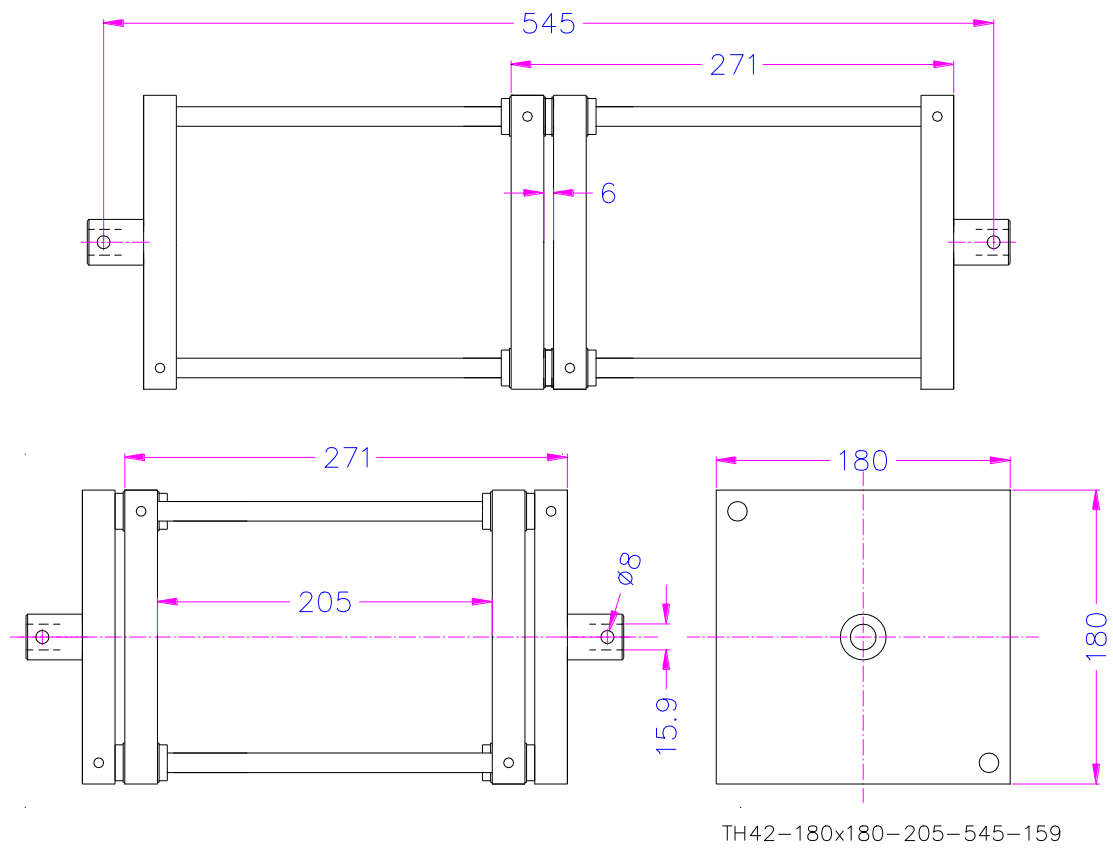
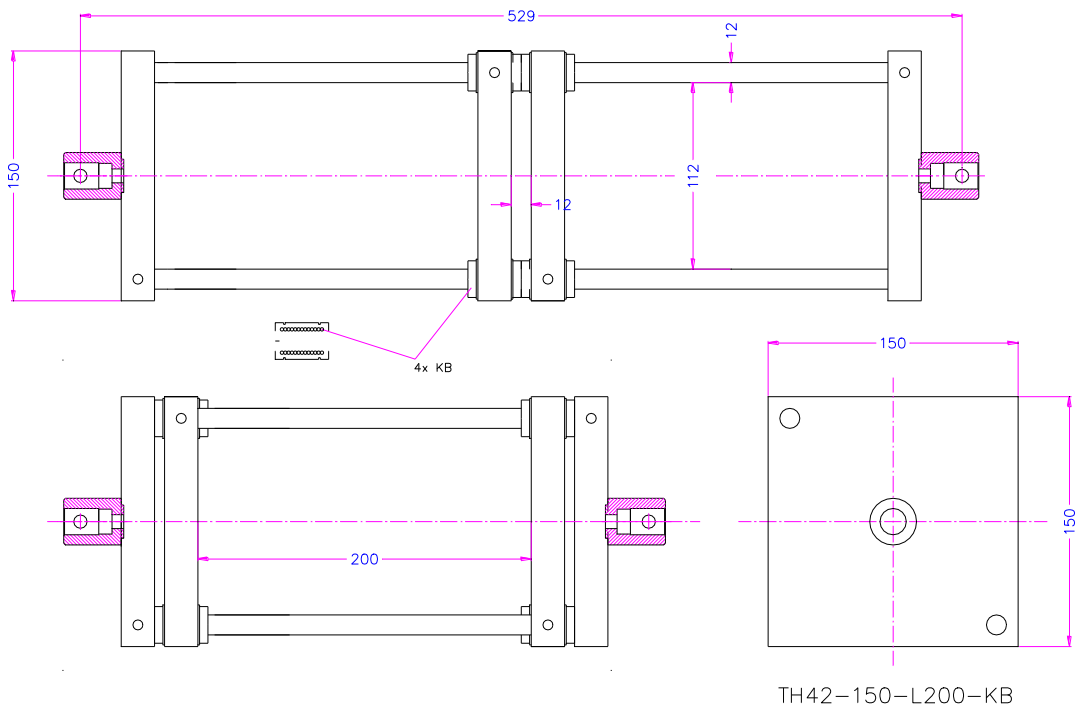


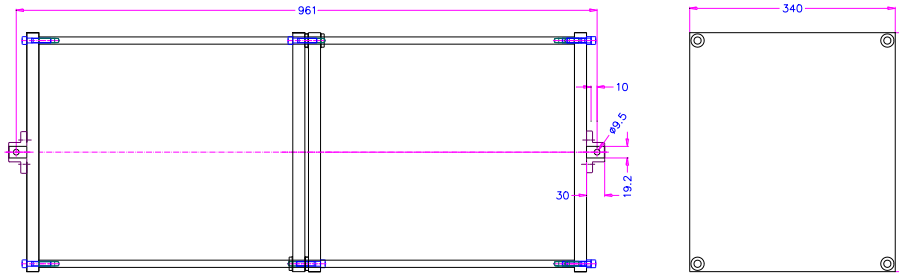
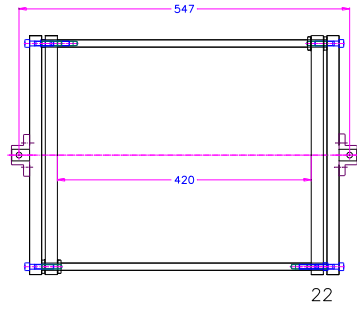
TH42-100x100-L65



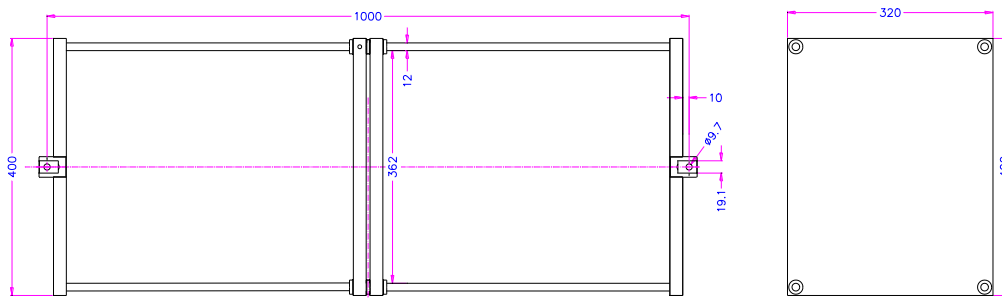
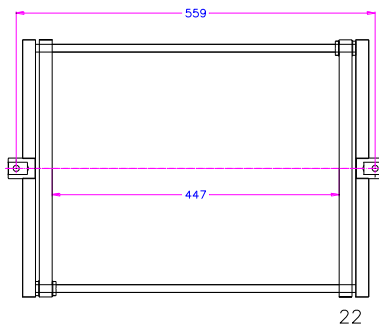
TH42-100x100-L151-KB-E



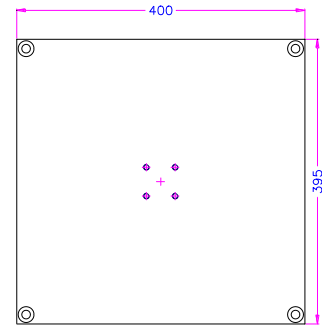
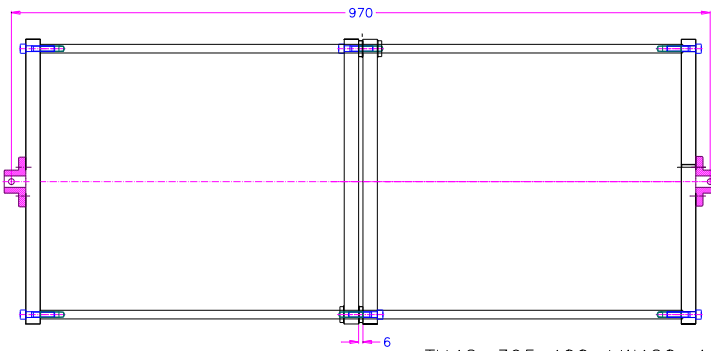
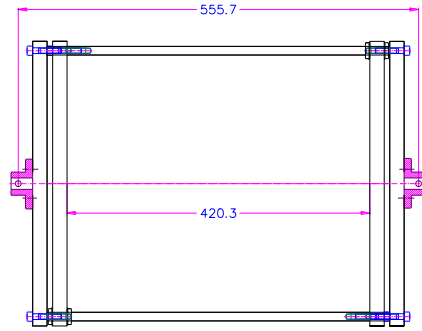




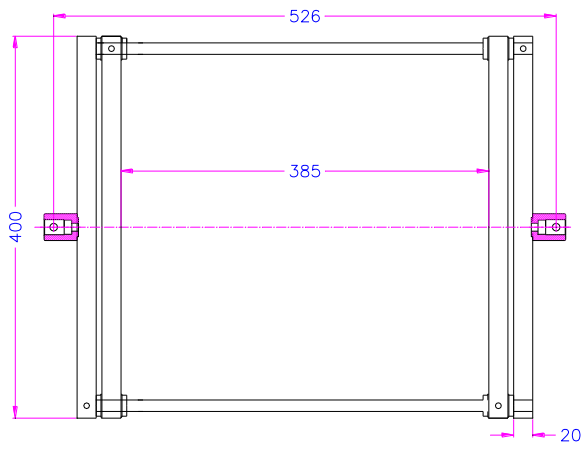
TH42-320x395-LW420-Af191-2



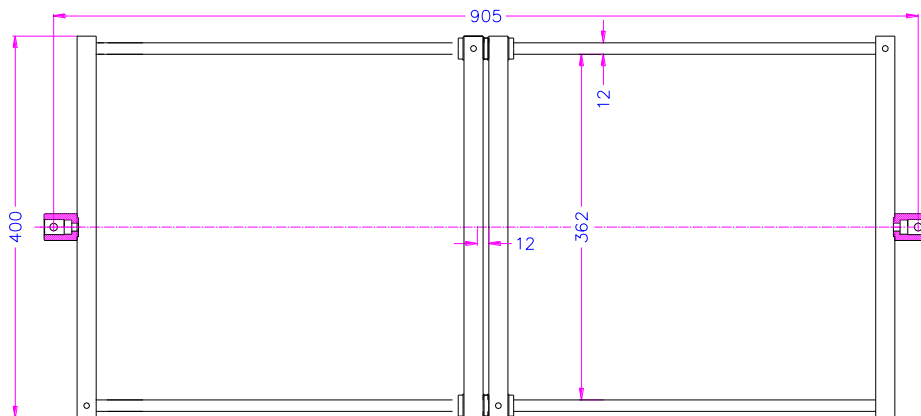
TH42-320x400-L1000-Af191

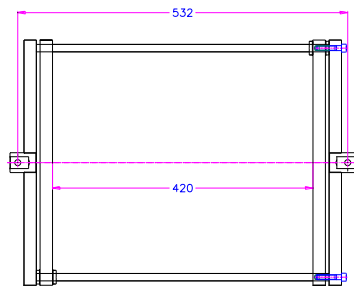


TH42-395x400-LW420-Af159



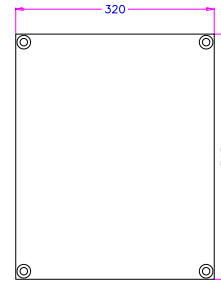
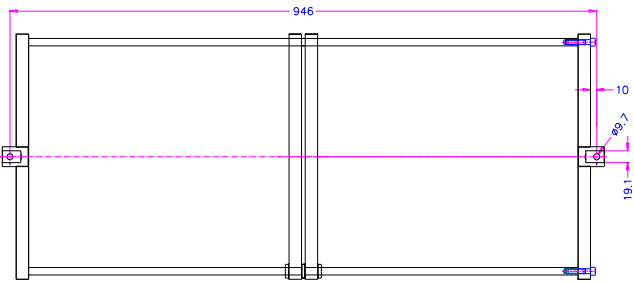
TH42-400-V1



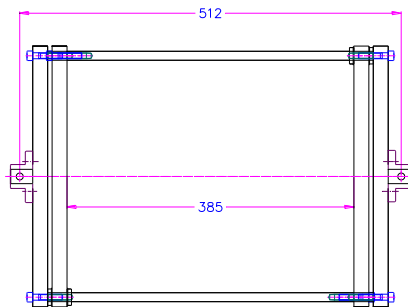


22

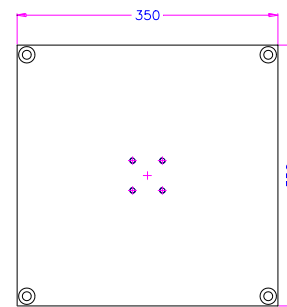
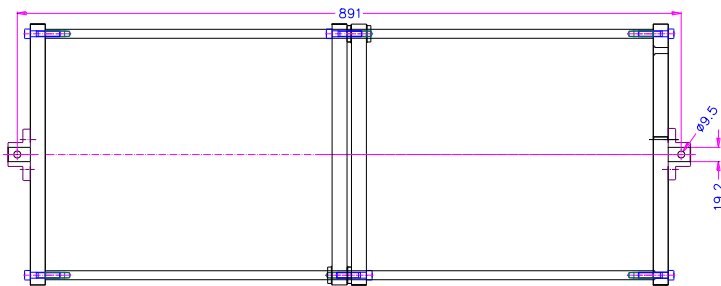
21



TH42-320x395-LW420-Af191



Af192



TH42-350xx350x385 Af191