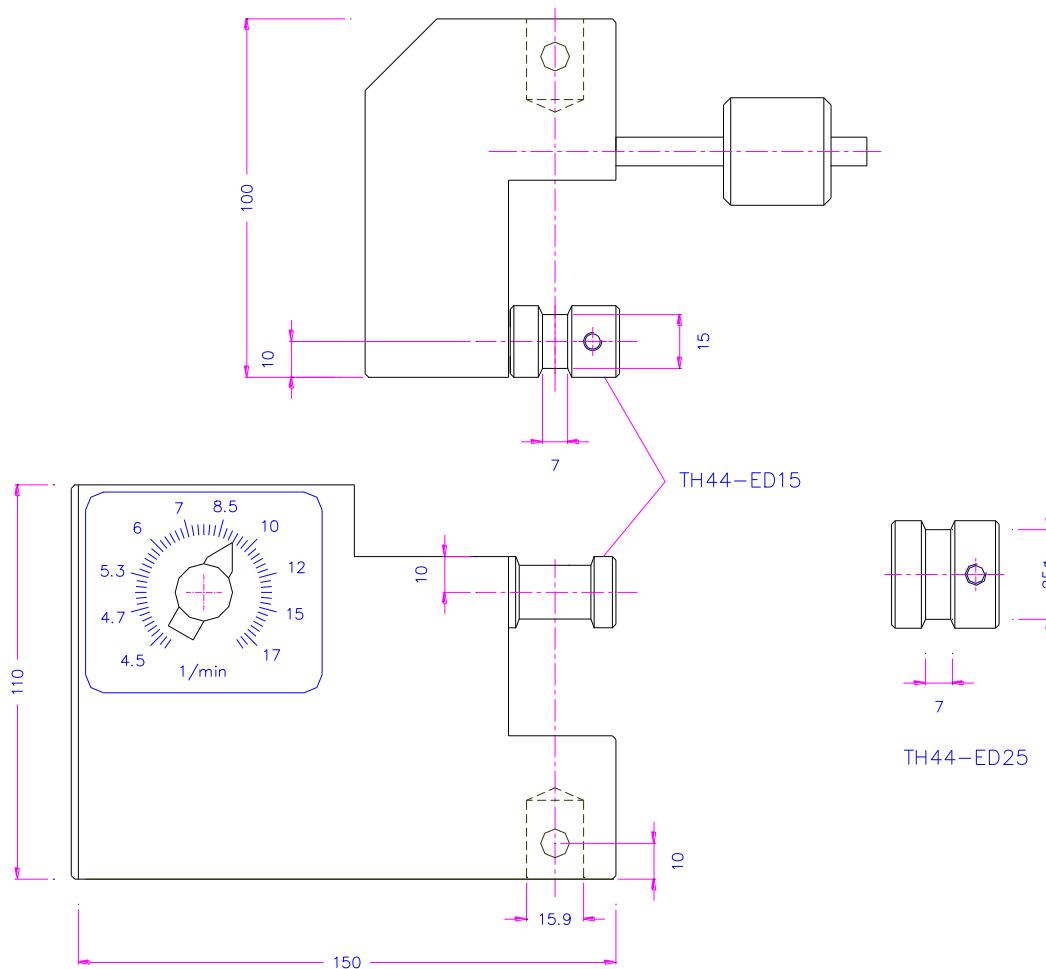


Item No.: TH44-2

Tensile strength tester for standardized rubber O-rings
 Conform to ASTM D1414 and DIN 53504

Variable speed: 4-17 r/min, 2 kN
 Weight: 2 kg, dimensions: 150x110x60 mm
 Scope of delivery (standard) with rollers
 15+25 mm Ø

Power supply: 220 Volt, 12 V, 1 A
 Temperature range: 0-50°C

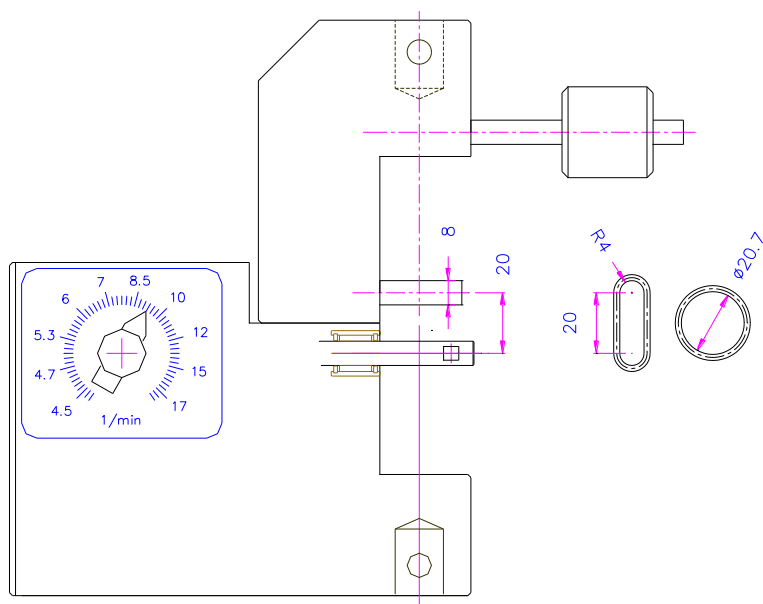
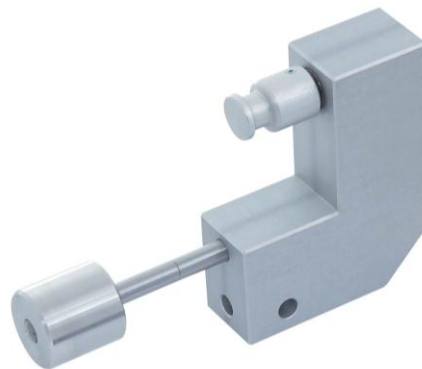


TH44-2

Item no.: TH44-OT

smallest distance between pins without roller 20 mm

allows to test o-rings with min. inner \varnothing 21 mm



TH44-2-oZy

Inserts

Available diameters:

- 3.18 mm
- 4.5 mm
- 4.75 mm
- 6.35 mm
- 12.7 mm
- 15 mm
- 18.3 mm
- 22.3 mm
- 25 mm





TH44-2.2-D3.18x7



TH44-2.2-D4.5x7



TH44-2.2-D4.75x7 ASTM D412



TH44-2.2-D4.75x9 ASTM D1414



TH44-2.2-D6.35x7



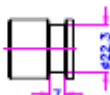
TH44-2.2-D12.7x7



TH44-2.2-D15x25 BS3704 / ISO4074



TH44-2.2-D18.3x7 DIN53504-R2



TH44-2.2-D22.3x7 DIN53504-R1 (ISO 37)



TH44-2.2-D25x7 ISO 5893

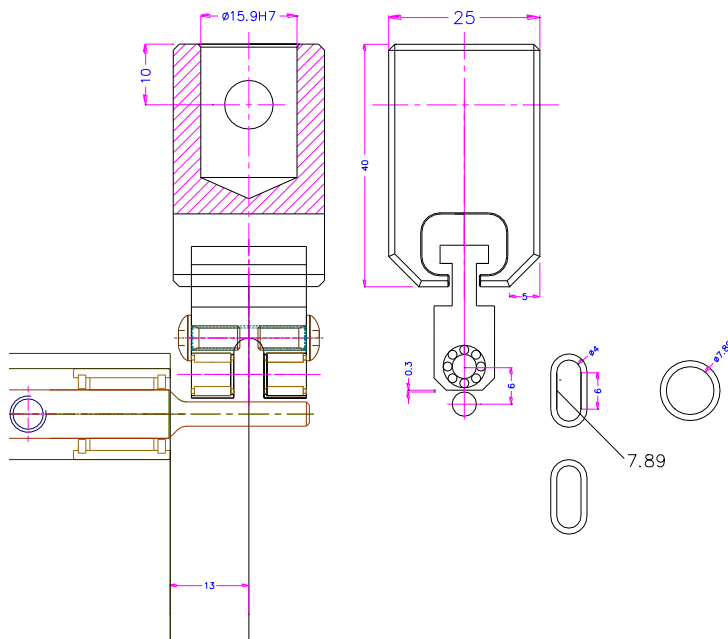
Item no.: TH44-2-D8-Af159

Special version for small rings

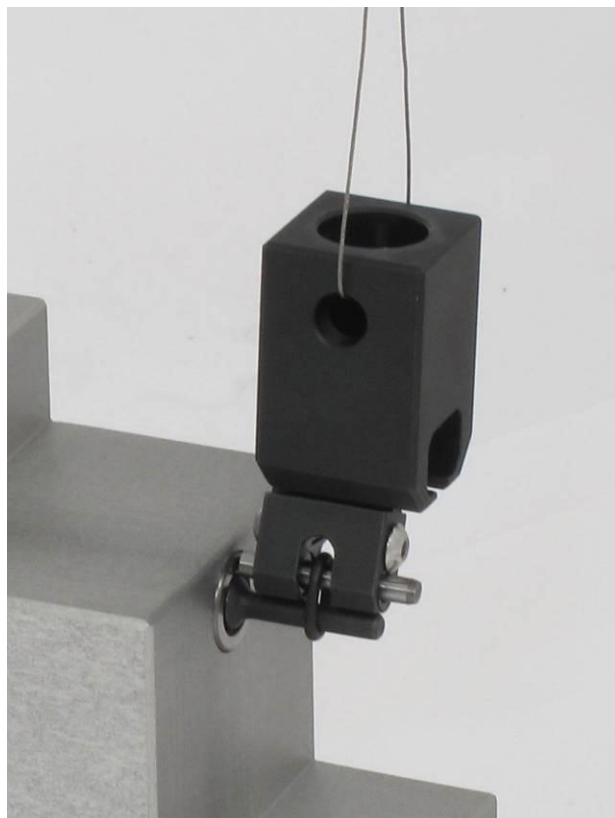
2 pins of 4 mm

Smallest O-ring has 8 mm inner diameter

Needle bearing



TH44-2-D8-Af159



<http://www.youtube.com/watch?v=kvGCKnJF6Gs>



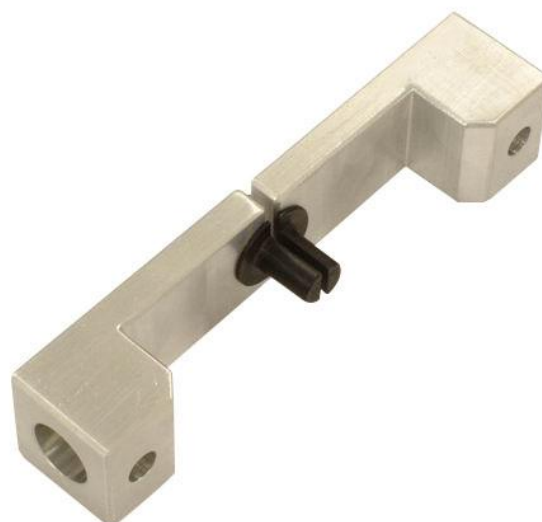
<http://www.youtube.com/watch?v=hQJHbNEzUxc&feature=related>



Similar grips:

THS43-HR10

www.grip.de/pdf/THS43_Datasheet.pdf



31.12.2015OI