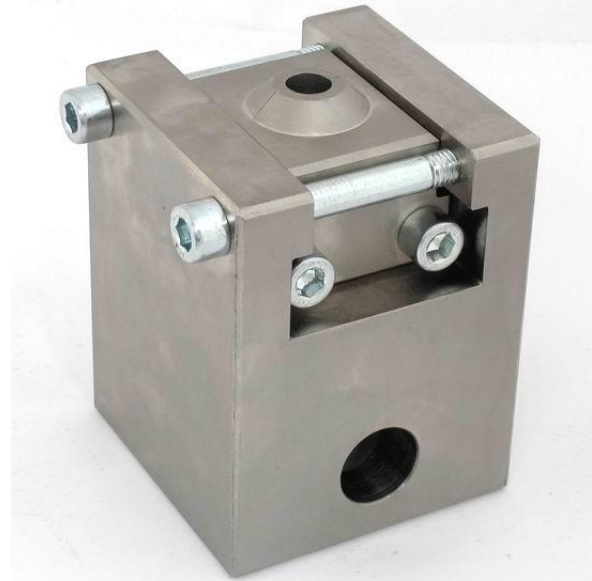


TH4

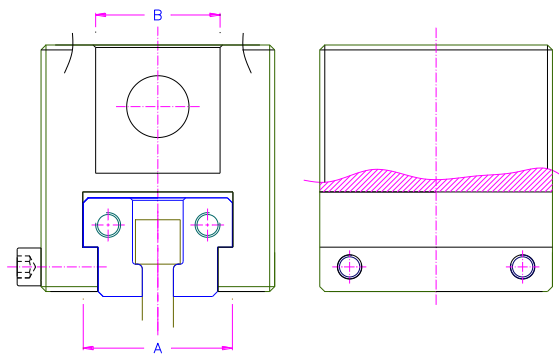
Button head grips

TH4-60-60/25



TH4-A-B body with Adapter

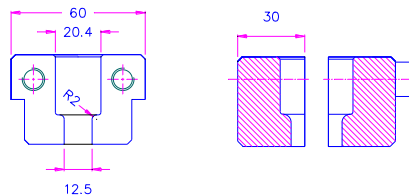
A=size of insert
B= Adapter size



TH4-A-B

TH4-A-Efg insert

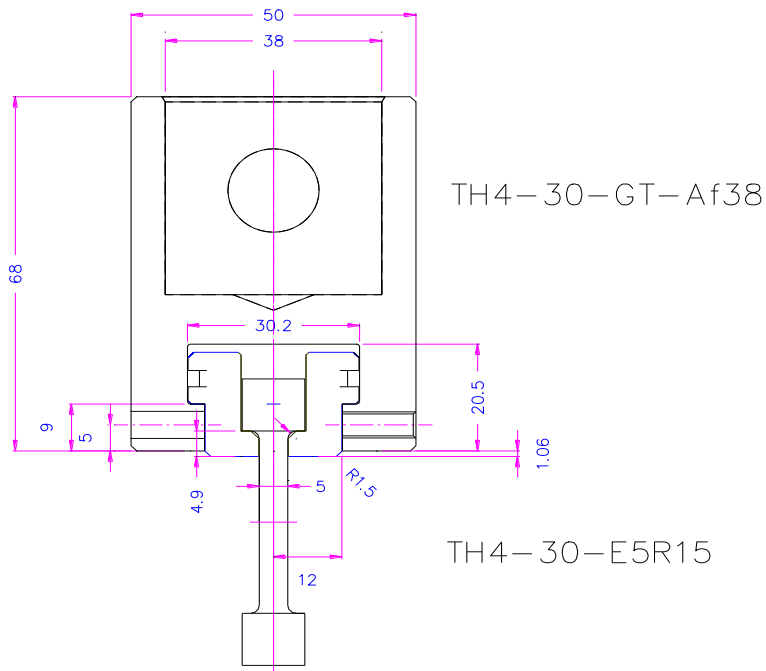
f= small diameter
g= Radius of corner



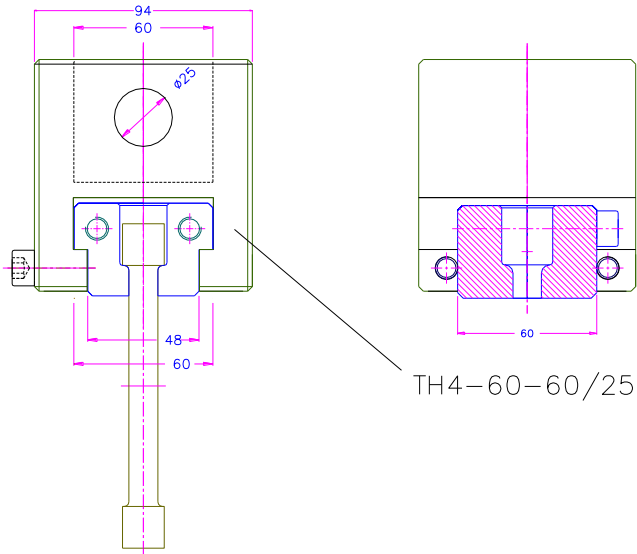
TH4-60-E12.5-2

	Insert size	Max insert diameter	Dimensions of body	Adapter	Max load	Weight
	mm	mm	mm	x=	kN	kg
TH4-30-x	30x35x20	20	50x50x60	Af15.9, Af19.2, Af20, Af30	50	1
TH4-30-318	30x35x20	20	50x50x72	Af31.8	50	1.2
TH4-30-38	30x35x20	20	50x50x68	Af38	100	1.2
TH4-50	50x60x33	25	78x78x80	Af40 Af50	100	3
TH4-60	60x60x40	30	94x94x110	Af60	250	6
TH4-120	120x120x80	56	196x196x220	Af120	1000	50

TH4-30



TH4-6026



6kg with insert one grip

TH4-60-E12R5

