

# TH56g+Ko

## Pneumatic grips

TH56g+Ko TH56g+2Ko TH56g-H200+Ko TH56g-H200+2Ko

### Ordering information

TH56g are supplied in pairs but can also be ordered as single grip (0.5 pair). Grips and jaws (1 set = 4 jaws) need to be ordered separately.

Jaws with other dimensions and surface coatings on request. Also as non pneumatic vise grip available ([item number TH56g](#)).

Item No.	TH56g+Ko (1 pneumatic piston)	TH56g+2Ko (2 pneumatic pistons)
Clamping force	2.6 kN	2.6 kN
Temperature range*	0°C to +70°C *	0°C to +70°C *
Min. specimen length	85 mm	120 mm
Max. specimen width	50 mm	50 mm
Body	Aluminum	Aluminum
Pneumatic connection	M5	M5
Weight	1.34kg	1.71kg

\* other temperature ranges on request

### Jaws for TH56g+Ko:

Item No.	Clamping surface	Opening	Weight per pair
TH56g-B	Blank jaws	0 – 15mm	0.22kg
TH56g-BG	Rubber jaws	0 – 13mm	0.22kg
TH56g-BP	Pyramid jaws	0 – 15mm	0.21kg
TH56g-BV2	V-jaws	Ø 2 – 15 mm	0.22kg
TH56g-BV5	V-jaws	Ø 5 – 11 mm	0.26kg
TH56g-BW	Wave jaws	0 – 15mm	0.20kg
TH56g-BD	Diamond jaws	0 – 15mm	0.22kg

### Inset jaws for TH56g+Ko: Quick change system

Inset jaws require carriers (TH56k-GT)

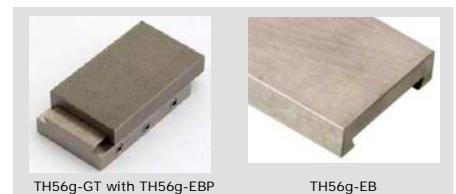
Item No.	Clamping surface	Opening	Weight per pair
TH56g-GT	Carrier	-	0.18kg
TH56g-EB	Blank inset jaws	0 – 5mm	0.14kg
TH56g-EBG	Rubber inset jaws	0 – 3mm	0.14kg
TH56g-EBP	Pyramid inset jaws	0 – 5mm	0.13kg
TH56g-EBD	Diamond inset jaws	0 – 5mm	0.14kg



TH56g+ko

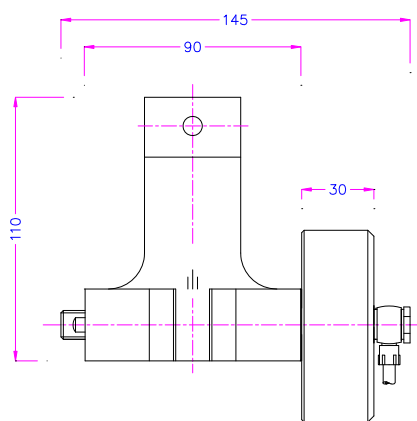


TH56g+2ko

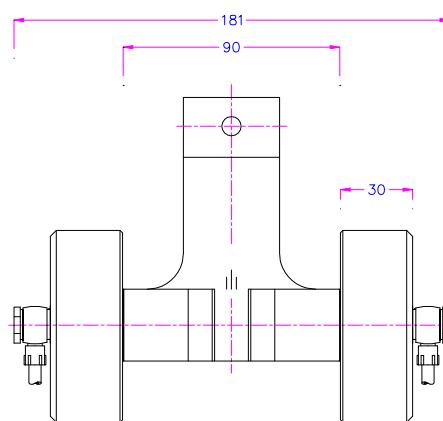


TH56g-GT with TH56g-EBP

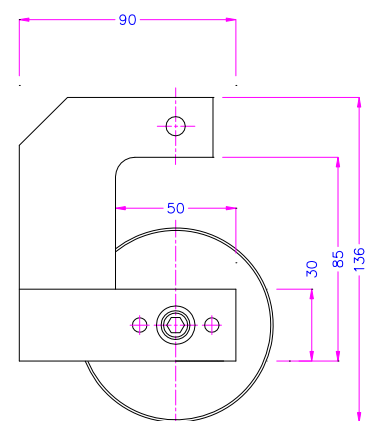
TH56g-EB



TH56g+Ko



TH56g+2Ko



# TH56g+Ko

Item No.	TH56g-H200+Ko (1 pneumatic piston)	TH56g-H200+2Ko (2 pneumatic pistons)
Clamping force	2.6 kN	2.6 kN
Temperature range*	0°C to +70°C *	0°C to +70°C *
Min. specimen length	85 mm	120 mm
Max. specimen width	50 mm	50 mm
Body	Aluminum	Aluminum
Pneumatic connection	M5	M5
Weight	1.86kg	2.24kg

\* other temperature ranges on request

## Jaws for TH56g-H200+Ko

Item No.	Surface	Opening**	Weight per pair
TH56g-B	Blank jaws	0 – 44mm	0.22kg
TH56g-BG	Rubber jaws	0 – 42mm	0.22kg
TH56g-BP	Pyramid jaws	0 – 44mm	0.21kg
TH56g-BV2	V-jaws	Ø 2 – 41 mm	0.22kg
TH56g-BV5	V-jaws	Ø 5 – 41 mm	0.26kg
TH56g-BW	Wave jaws	0 – 44mm	0.20kg
TH56g-BD	Diamond jaws	0 – 44mm	0.22kg

**Inset jaws for TH56g-H200+Ko:** Quick change system  
Inset jaws require carriers (TH56g-GT)

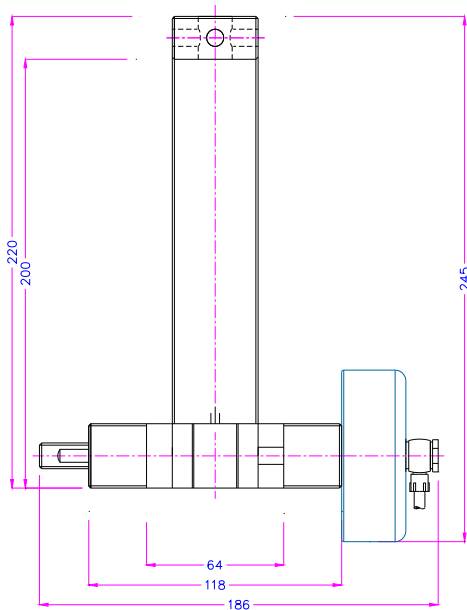
Item No.	Surface	Opening**	Weight per pair
TH56g-GT	Carrier	–	0.18kg
TH56g-EB	Blank inset jaws	0 – 34mm	0.14kg
TH56g-EBG	Rubber inset jaws	0 – 32mm	0.14kg
TH56g-EBP	Pyramid inset jaws	0 – 34mm	0.13kg
TH56g-EBD	Diamond inset jaws	0 – 34mm	0.14kg

**\*\* The pneumatic pistons of TH56g-H200 are adjustable, therefore the opening width can be adjusted from 0 to 44mm (depending on the type of jaws used).**

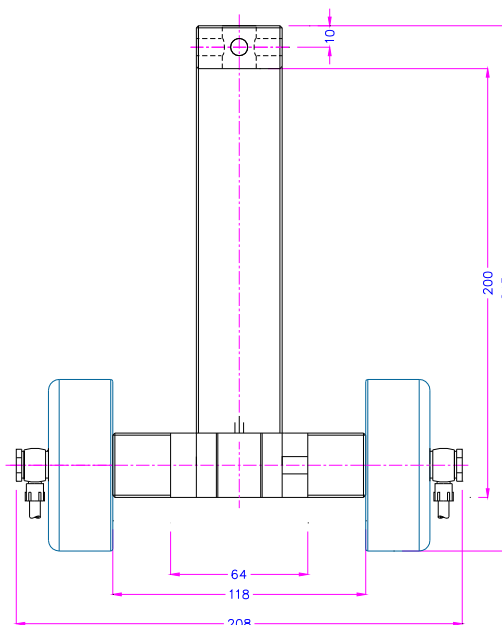
TH56g-H200+Ko



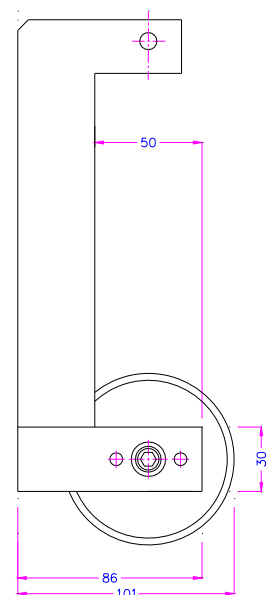
TH56g-H200+2Ko



TH56g-H200+Ko



TH56g-H200+2Ko



## Examples for other version and custom built solutions



TH56g-EI  
Optional: TH56g with quick release lever

TH56g-BVG  
Rubber coated V-jaws

TH56g-BP25x25  
Clamping surface 25x25mm

## Jaws surfaces



TH56g-B  
Steel blank (smooth)  
without coating

TH56g-BG  
Rubber coating  
(NBR)

TH56g-BP  
Pyramids 1,2x45°,  
hardened steel

TH56g-BV  
Tooth pitch 1.2 mm,  
hardened steel

TH56g-BW  
Wave 5mm,  
hardened steel

TH56g-BD  
Diamond coating  
(synthetic)

## Accessories:



### TH205-1 Foot pedals

None locking: The jaws of the grip open by pressing the foot pedal and close after removing the foot from the pedal.

Scope of delivery: 1 pair of foot switches including tubes and fittings



### TH205-2 Foot pedals

With locking function: The jaws of the grip open by pressing the foot pedal and remain opened after removing the foot from the pedal. The jaws close by pressing the pedal one more time.

Scope of delivery: 1 pair of foot switches including tubes and fittings



### TH205-.+PR Pressure regulator

Optional for TH205-1 or TH205-2

To adjust air pressure: 1-10 bar



### TH205-3 Hand switches

With locking function: The jaws of the grip close by pulling the handle and remain closed. The jaws open by pushing the handle back.

Scope of delivery: 1 unit of hand switches including tubes and fittings



### TH205-4 Hand switches

With locking function (see TH205-3)

The hand switches are directly mounted at the grips. 3/2 directional valve

Scope of supply: 2 hand switches including tubes and fittings



### TH216 Compressor for laboratories, oil-lubricated

Max pressure 16 bar, 230V, noise level: 38dB(A)/1m

Displacement 5 l/min, tank size 3.1 litre (0.82 gallon)

Dimensions: 340x290x340 mm (L x W x H); weight 16 kg

Different voltages available on request