

TH56g Screw Action Grip

Provides a simple and effective method to hold specimens
 Dual acting design, also for asymmetrical samples
 Jaws articulate and provide a self-aligning and self-tightening effect

Opening: 0 – 15 mm (depending on jaws)
 Weight: 2.2 kg per pair of grips without jaws

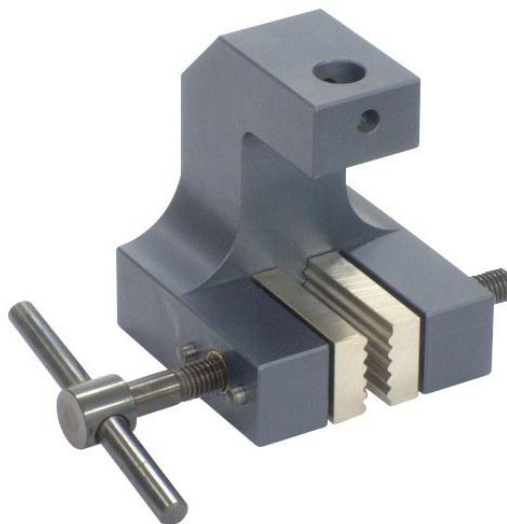
TH56g-H200 Vise grip

Total height: 220 mm
 Distance between lower edge of jaws and coupling: 200 mm
 Opening: 0 – 42 mm (depending on jaws)
 Weight: 3.2 kg per pair of grips without jaws

A versatile general purpose grip applicable for plastics, textiles, paper, steel foils, aluminium, etc.

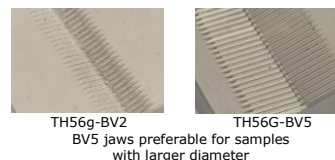
Jaws adjust to specimen by socket bearing

- Tensile force: 5 kN
- Temperature range: 0°C - +180°C (depending on jaws)
 Other temperature ranges possible on request
- Body: aluminum, anodized
- Scope of delivery: 1 pair without jaws
- Also as pneumatic grip available
 (see [data sheet TH56g+ko](#))



Jaws for TH56g: Scope of delivery 1 set = 4 jaws

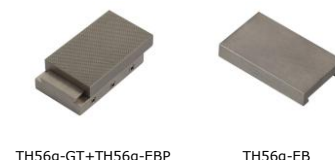
Item no.	Surface	Clamping surface H x W	Opening TH56g	Opening TH56g-H200	Weight per pair
TH56g-B	Blank jaws	30 x 50 mm	0 – 15 mm	0 – 42 mm	0.22 kg
TH56g-BG	Rubber jaws	30 x 50 mm	0 – 13 mm	0 – 40 mm	0.22 kg
TH56g-BP	Pyramid jaws	30 x 50 mm	0 – 15 mm	0 – 42 mm	0.21 kg
TH56g-BV2	V jaws	30 x 50 mm	Ø 2 – 15 mm	Ø 2 – 42 mm	0.22 kg
TH56g-BV5	V jaws	30 x 50 mm	Ø 5 – 15 mm	Ø 5 – 42 mm	0.21 kg
TH56g-BW	Wave jaws	30 x 50 mm	0 – 15 mm	0 – 42 mm	0.20 kg
TH56g-BD	Diamond jaws	30 x 50 mm	0 – 15 mm	0 – 42 mm	0.22 kg



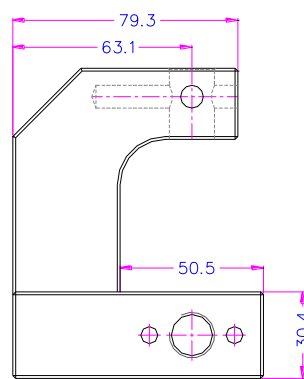
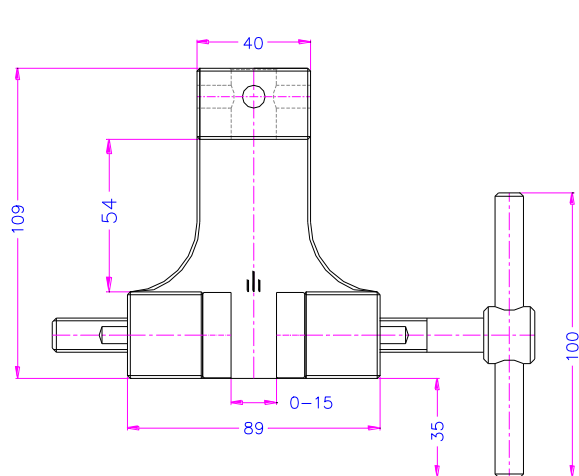
Insert jaws for TH56g: Scope of delivery 1 set = 4 jaws

Quick change system - insert jaws require carriers (TH56g-GT)

Item no.	Surface	Clamping surface H x W	Openings for TH56g	Openings for TH56g-H200	Weight per pair
TH56g-GT	Carrier	-	-	-	0.19 kg
TH56g-EB	Blank insert jaws	30 x 50 mm	0 – 5 mm	0 – 32 mm	0.14 kg
TH56g-EBG	Rubber insert jaws	30 x 50 mm	0 – 3 mm	0 – 30 mm	0.14 kg
TH56g-EBP	Pyramid insert jaws	30 x 50 mm	0 – 5 mm	0 – 32 mm	0.13 kg
TH56g-EBV	V insert jaws	30 x 50 mm	Ø 3 – 5 mm	Ø 3 – 32 mm	0.13 kg
TH56g-EBW	Wave insert jaws	30 x 50 mm	0 – 5 mm	0 – 32 mm	0.13 kg
TH56g-EBD	Diamond insert jaws	30 x 50 mm	0 – 5 mm	0 – 32 mm	0.14 kg



Jaws with other dimensions and surface coatings on request



TH56g

Blank jaws

- Suitable for own further treatments
- Nickel-plated

Rubber jaws

- 1 mm rubber coating (NBR)

Pyramid jaws

- Pyramid 1.2x45°
- Hardened steel 58 HRC
- Nickel-plated

V-jaws

- For all kinds of round samples
- Tooth pitch 1 mm (BV5) or 0.8 mm (BV2)
- Hardened steel 58 HRC
- Nickel-plated

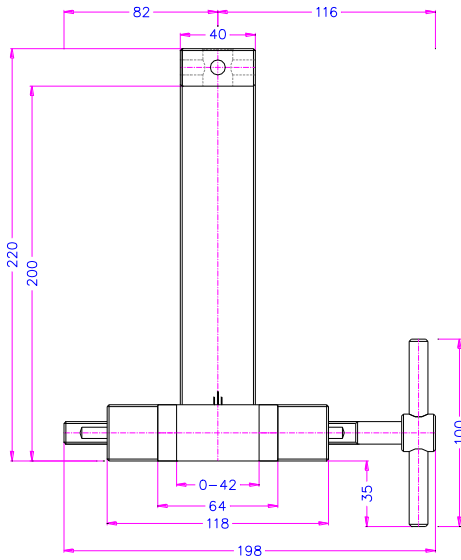
Wave jaws

- For flexible materials
- Wave 5 mm
- Hardened steel 58 HRC
- Nickel-plated

Diamond jaws

- Clamping surface coated with synthetic diamonds
- Nickel-plated



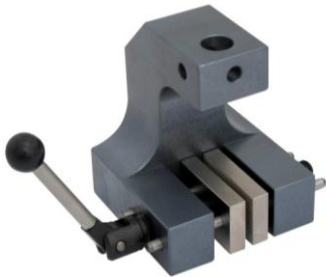


TH56g-H200

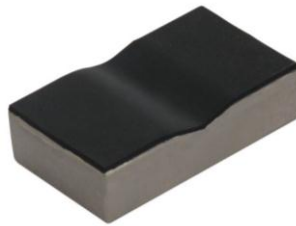


TH56g-H200+GT+EBP

Examples of custom-built solutions:



TH56g-EI
Optional for TH56g quick-release lever



TH56g-BVG
Rubber-coated V-jaws



TH56g-BP25x25
Clamping surface 25x25mm



TH56g-10-H100-St+BP
10 kN steel version, height 100 mm

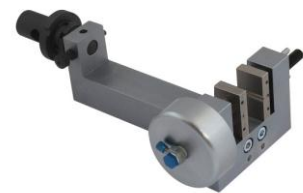
Pneumatic versions (see [data sheet TH56g+ko](#))



TH56g+Ko+BW



TH56g+2Ko+BP



TH56g-H200+Ko+BV
with adapter THS626-158-317