

Rope and yarn grips 1kN, 5 kN and 20kN

TH76 rope grips are applicable (depending on type) for filaments, cords, yarn, fine wires, narrow ribbons and ropes etc.

According to its friction coefficient, the specimen will be twisted one or more times around the guide roller, before being fixed with clamping jaws.

The guide rollers generate a slowly and notch free stress relief to prevent the breakage of the specimen in the clamping jaws.

Also as pneumatic version available.

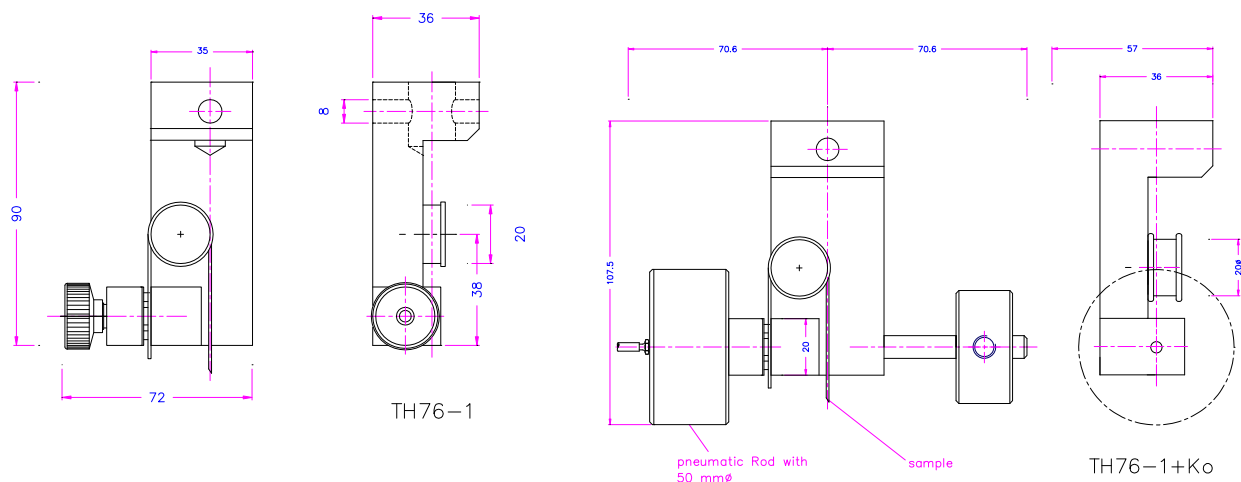


	TH76-1 and TH76-1+BD	TH76-5 and TH76-5+BD	TH76-20
Applicable for	Yarn, filament, narrow ribbons etc	Cord, fine wires, narrow ribbons etc	Ropes, fine wires, narrow ribbons
Tensile force	1kN	5kN	20kN
Ropes / wires max. Ø	2 mm Ø	5 mm Ø	9 mm Ø
Ribbons max. width	7 mm	8 mm	9 mm
Jaw surfaces	Rubber jaws Diamond jaws (BD) Other surfaces on request	Pyramid jaws (0.6x45°), 58HRC Diamond jaws (BD) Other surfaces on request	Pyramid jaws (0.6x45°), 58 HRC Other surfaces on request
Clamping surface HxW	20x10mm	30x12mm	30x15mm
Ø Guide roller	20 mm Ø	40 mm Ø	94 mm Ø
Temperature range*	0 – 70°C*	0 – 180°C*	0 – 180°C*
Body	Aluminum, anodized	Aluminum, anodized	Steel, manganese phosphated
Weight	0.26 kg each grip	0.8 kg each grip	2.7 kg each grip
Ordering information/ Scope of delivery	Article No. TH76-1: 1 pair incl. rubber jaws Article No. TH76-1+BD: 1 pair inclusive diamond jaws	Article No. TH76-5: 1 pair incl. pyramid jaws Article No. TH76-5+BD: 1 pair inclusive diamond jaws	Article No. TH76-20: 1 pair incl. pyramid jaws

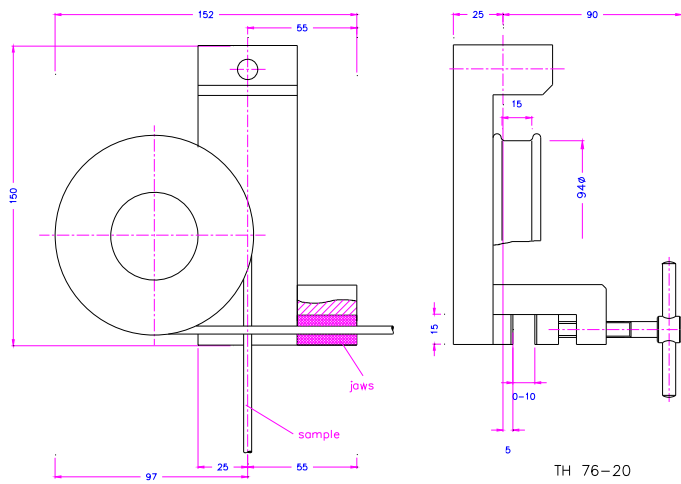
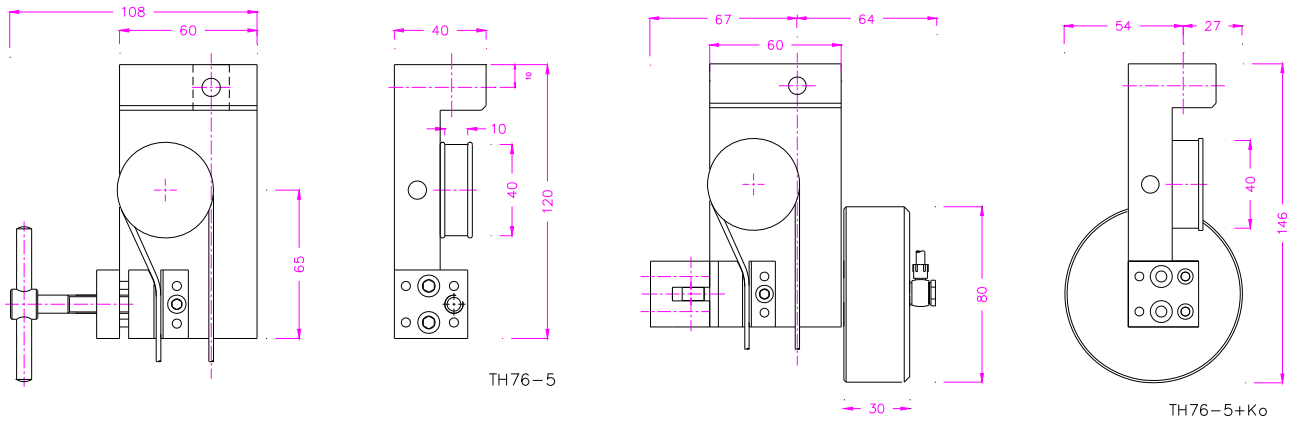
Pneumatic versions of TH76

	TH76-1+Ko and TH76-1+Ko+BD	TH76-5+Ko and TH76-5+ko+BD
Applicable for	Yarn, filament, narrow ribbons etc	Cord, fine wires, narrow ribbons etc
Tensile force	1 kN	5 kN
Ropes / threads max. Ø	2 mm Ø	5 mm Ø
Ribbons max. width	7 mm	8 mm
Jaw surfaces	Rubber jaws Diamond jaws Other surfaces on request	Pyramid jaws(0.6x45°), 58 HRC Diamond jaws Other surfaces on request
Clamping surface HxW	20x10mm	30x12mm
Ø Guide roller	20 mm Ø	40 mm Ø
Temperature range*	0 – 70°C*	0 – 180°C*
Pneumatic connection	Internal thread M5	Internal thread M5
Body	Aluminum, anodized	Aluminum, anodized
Weight	0.67 kg each (grip with counter weight)	1.27 kg each grip
Ordering information/ Scope of delivery	Article No. TH76-1+Ko: 1 pair incl. rubber jaws Article No. TH76-1+Ko+BD: 1 pair incl. diamond jaws The grips are supplied as a pair incl. 1 grip without and 1 grip with counter weight (upper grip)	Article No. TH76-5+Ko 1 pair incl. pyramid jaws Article No. TH76-5+Ko+BD: 1 pair incl. diamond jaws

*Other temperature ranges on request



product line TH76



Examples of special versions



Accessories for the pneumatic versions of TH76:



TH205-1

2 pneumatic foot switches, tubes and fittings

None locking: The jaws of the grip open by pressing the foot pedal and close after removing the foot from the pedal.

Scope of delivery: 1 pair of foot switches including tubes and fittings



TH205-2

2 pneumatic foot switches, tubes and fittings,

With locking function: The jaws of the grip open by pressing the foot pedal and remain opened after removing the foot from the pedal. The jaws close by pressing the pedal one more time.

Scope of delivery: 1 pair of foot switches including tubes and fittings



TH205-. +PR

Optional for TH205-1 or TH205-2

Pressure regulator

To adjust air pressure: 1-10 bar



TH205-3

1 unit of pneumatic hand switches, tubes and fittings

With locking function: Handle with 2 positions. The jaws of the grip close by pulling the handle and remain closed. The jaws open by pushing the handle back.

Scope of delivery: 1 unit of hand switches including tubes and fittings



TH216

Silent compressor appropriate for laboratories

Max pressure: 16 bar; noise level: 45dB(A)

Motor 400 Watt; displacement 25 l/min

With pressure reducer/water trap

Dimensions: 280x190x240 mm (L x W x H); weight ~ 14 kg