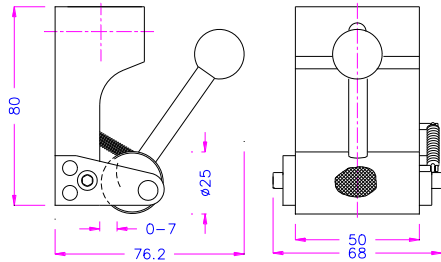


Eccentric roller grips – easy to use and self-tightening
 Applicable for soft and flexible samples, foils, plastics, rubber etc.

TH7-1 Eccentric roller grip

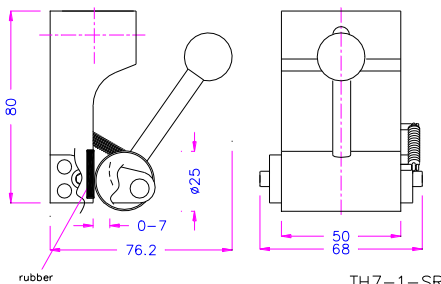
- Tensile force: 1 kN
- Pyramid (serrated) faced roller, 25mm Ø
- Clamping width 50mm, specimen thickness 0 – 7 mm
- Temperature range: 0 – 130°C
 Other temperature ranges possible on request
- Body: aluminum anodized
- Weight: 509 gram each grip
- Scope of delivery: 1 pair



TH7-1

TH7-1-SR Eccentric roller grip

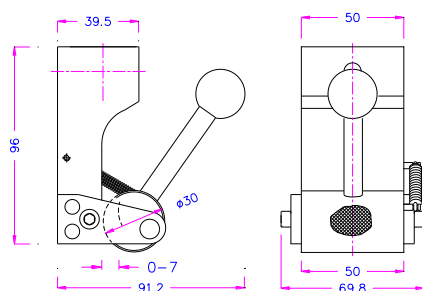
- Tensile force: 1 kN
- Smooth roller, 25mm Ø, rubber base plate
- Clamping width 50mm, specimen thickness 0 – 7mm
- Temperature range: 0 – 70°C
 Other temperature ranges possible on request
- Body: aluminum anodized
- Weight: 509 gram each grip
- Scope of delivery: 1 pair



TH7-1-SR

TH7-5 Eccentric roller grip

- Tensile force: 5 kN
- Pyramid (serrated) faced roller, 30mm Ø
- Clamping width 50mm, specimen thickness 0 – 7mm
- Temperature range: 0 – 130°C
 Other temperature ranges possible on request
- Body: aluminum anodized
- Weight: 667 gram each grip
- Scope of delivery: 1 pair

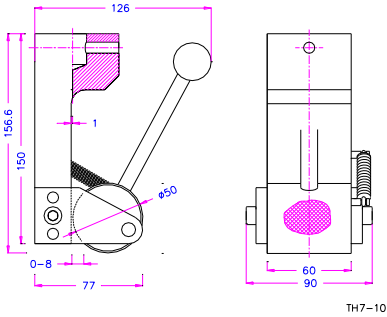


TH7-5



TH7-10 Eccentric roller grip

- Tensile force: 10 kN
- Pyramid (serrated) faced roller, 50mm Ø
- Clamping width 60mm, specimen thickness 0 – 8mm
- Temperature range: 0 – 130°C
Other temperature ranges possible on request
- Body: steel, manganese phosphate coating
- Weight: 3.35 kg each grip
- Scope of delivery: 1 pair



TH7-10



Examples of other versions



TH7-W25-H7-T280°C stainless steel version



TH-5-Ni • Nickel plated



TH7-5-100 • Roller width 100 mm



TH7-5-H80 • Body height 80mm



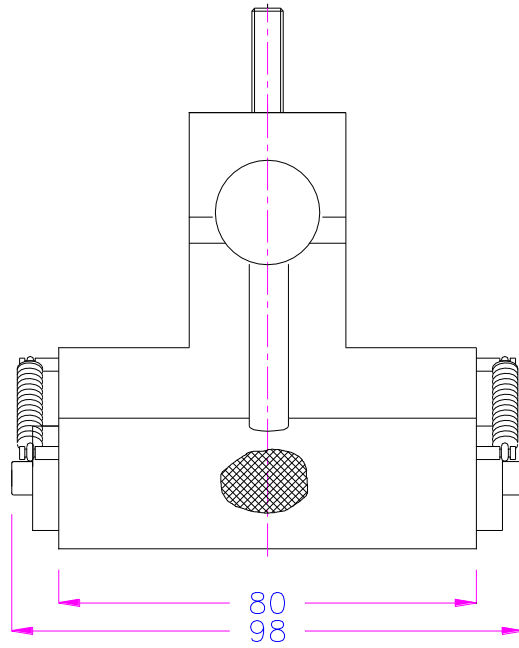
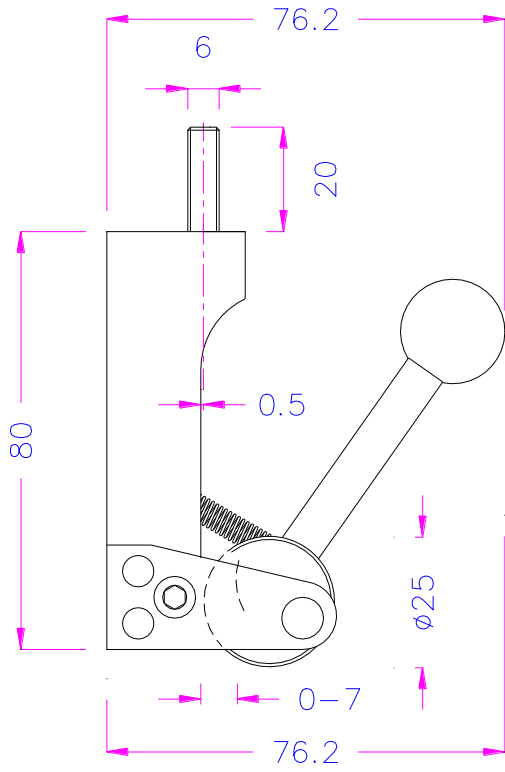
TH7-5-SBP • Pyramid faced base plate



TH7-10-mA • with centering device



THS766-5 • Symmetric tightening



TH7-1-W80-AmM6x20

Special Versions