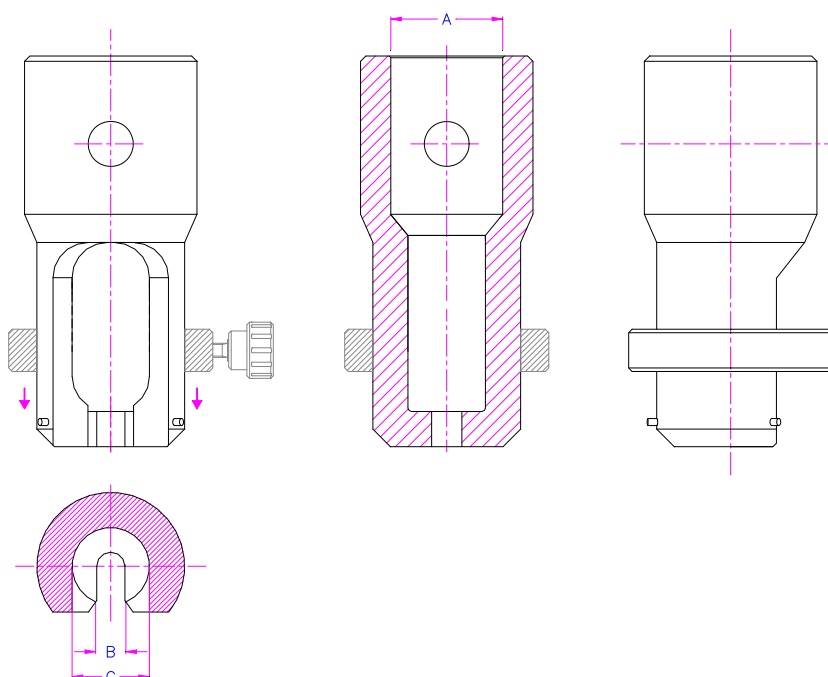


TH89 Chuck Grips

Simple design for holding chuck samples
Including ring to avoid widening

Steel

Scope of delivery: 1 pair of grips

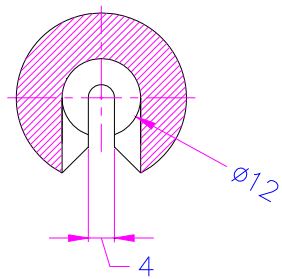
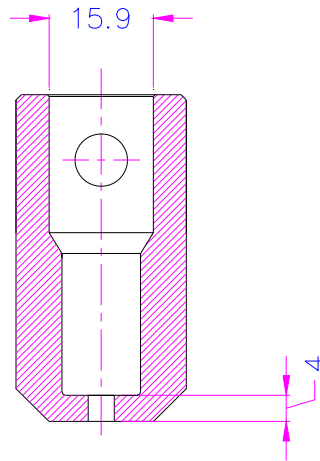
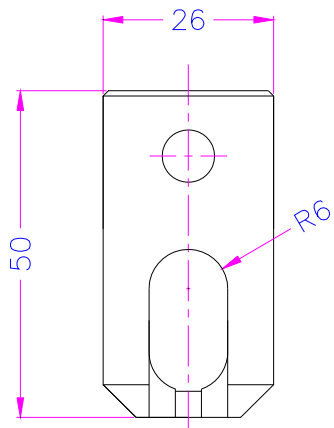


TH89-A-B-C

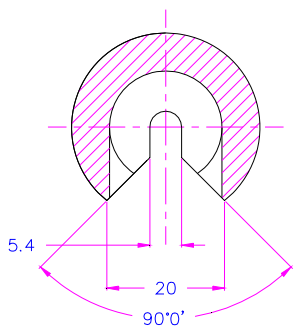
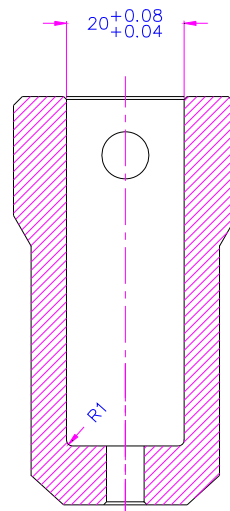
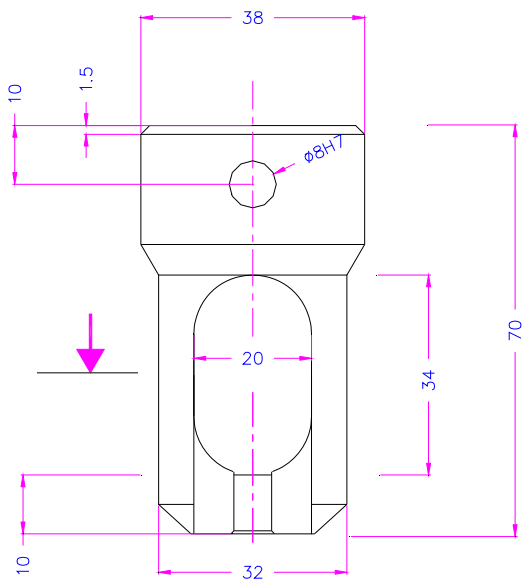
A Adapter size
B Slot size
C max.

15.9, 20, 30, 31.8, 40, 50, 60. Further adapter sizes on request.
according to customer's specification
chuck head diameter

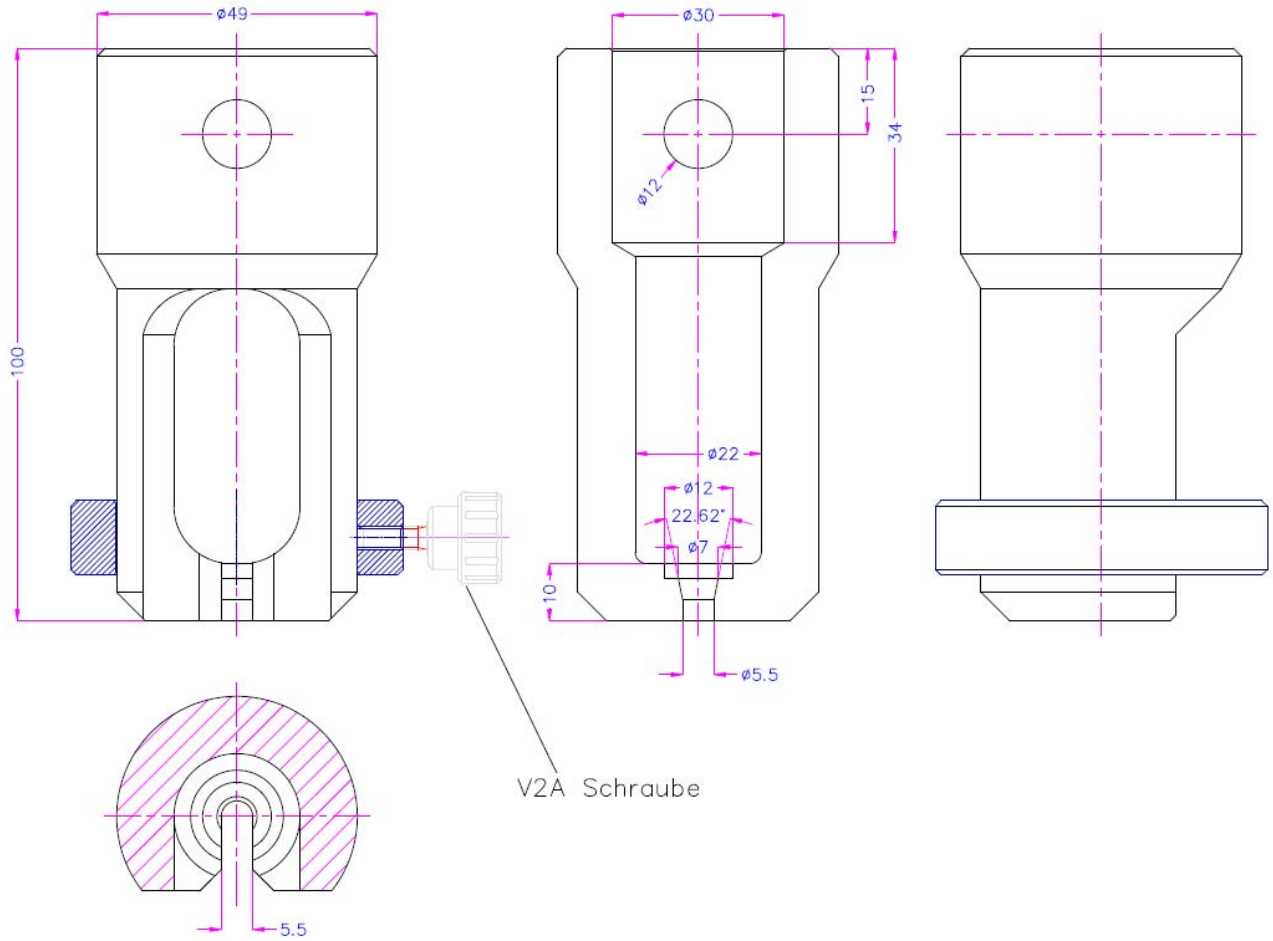
	F max [kN]	A [mm]	B [mm]	C [mm]	Weight per 1 grip
TH89-159	20	15.9	4, 5, 6	15.9	Ca. 0.2 kg
TH89-20	20	20	4, 5, 6, 8	20	Ca. 0.4 kg
TH89-30	50	30	6, 8, 10, 12	22	Ca. 0.8 kg
TH89-318	50	31.8	6, 8, 10, 12	22	Ca. 0.9 kg
TH89-40	100	40	8, 10, 12, 16	28	Ca. 1 kg
TH89-50	200	50	10, 12, 16, 20	35	Ca. 3 kg
TH89-60	250	60	12, 16, 20, 24	40	Ca. 3.5 kg
			Other slot sizes on request	Other sizes on request	



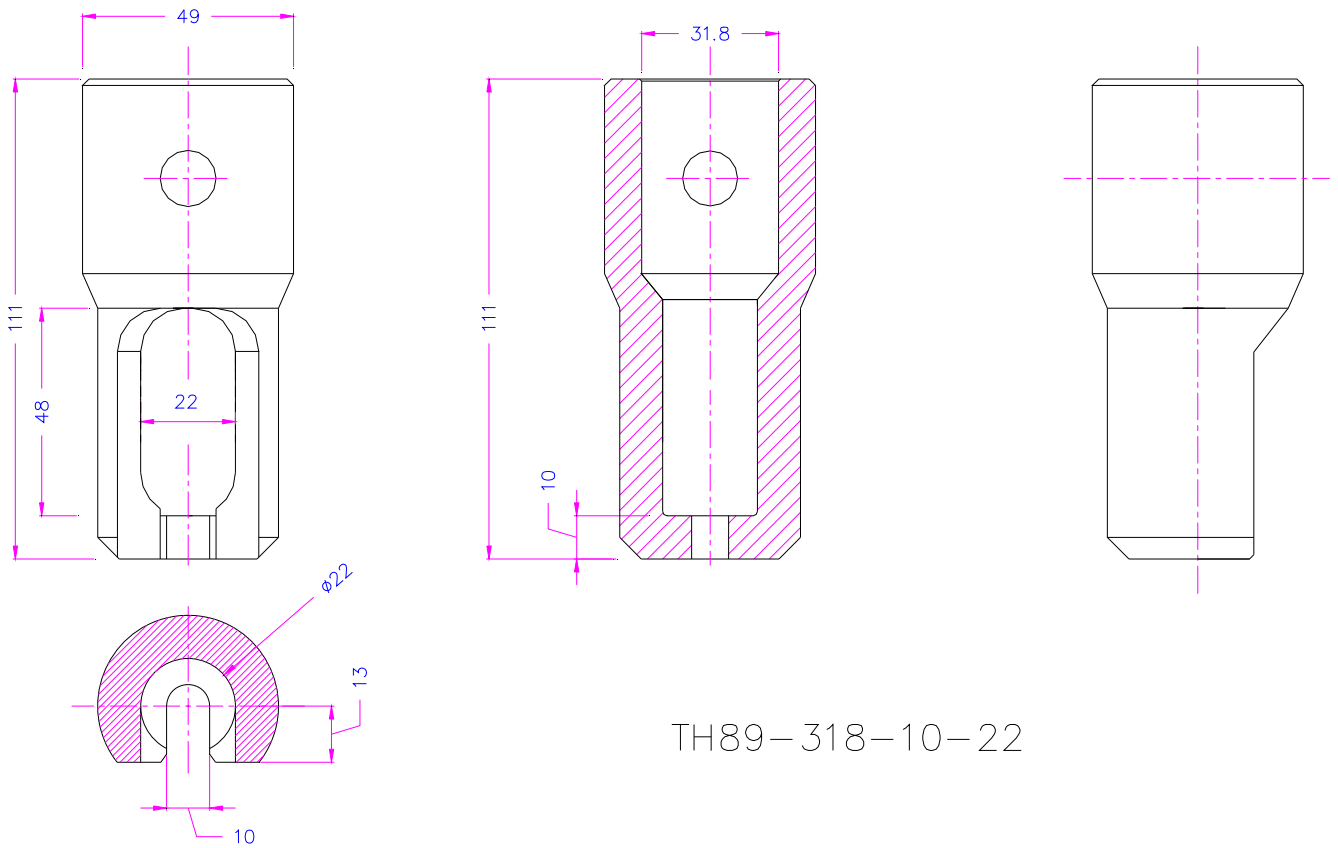
TH89-159-4



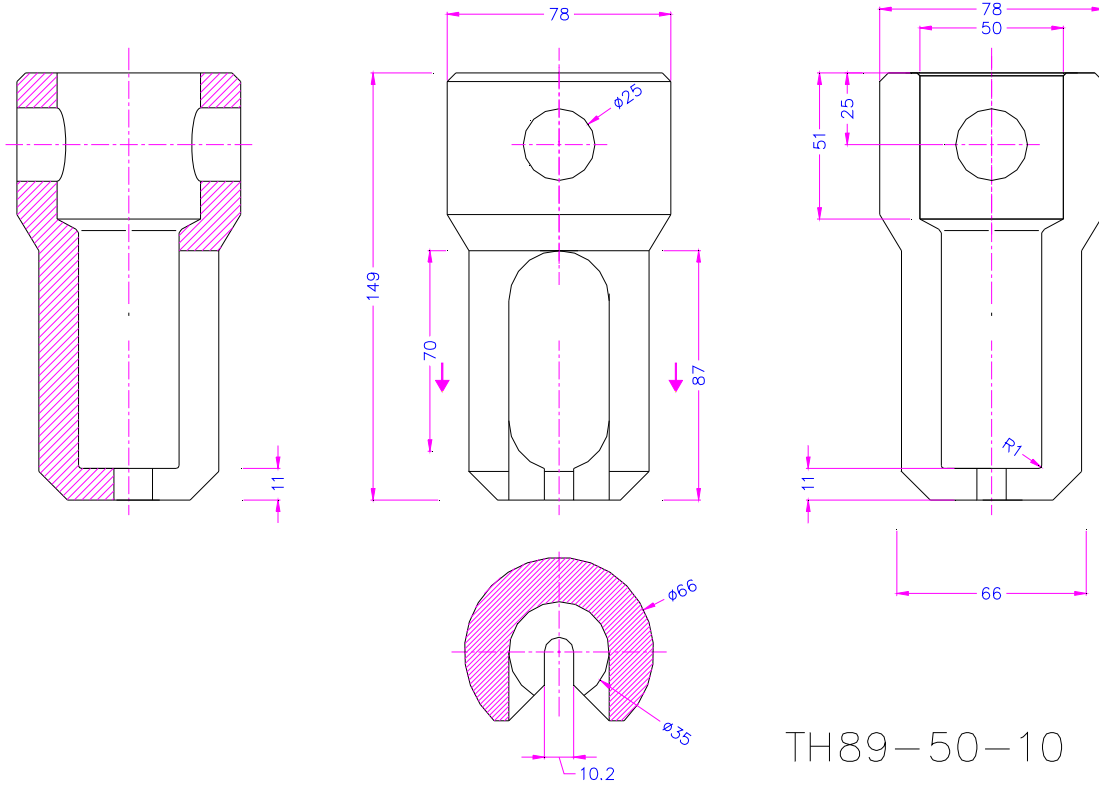
TH89-20-5



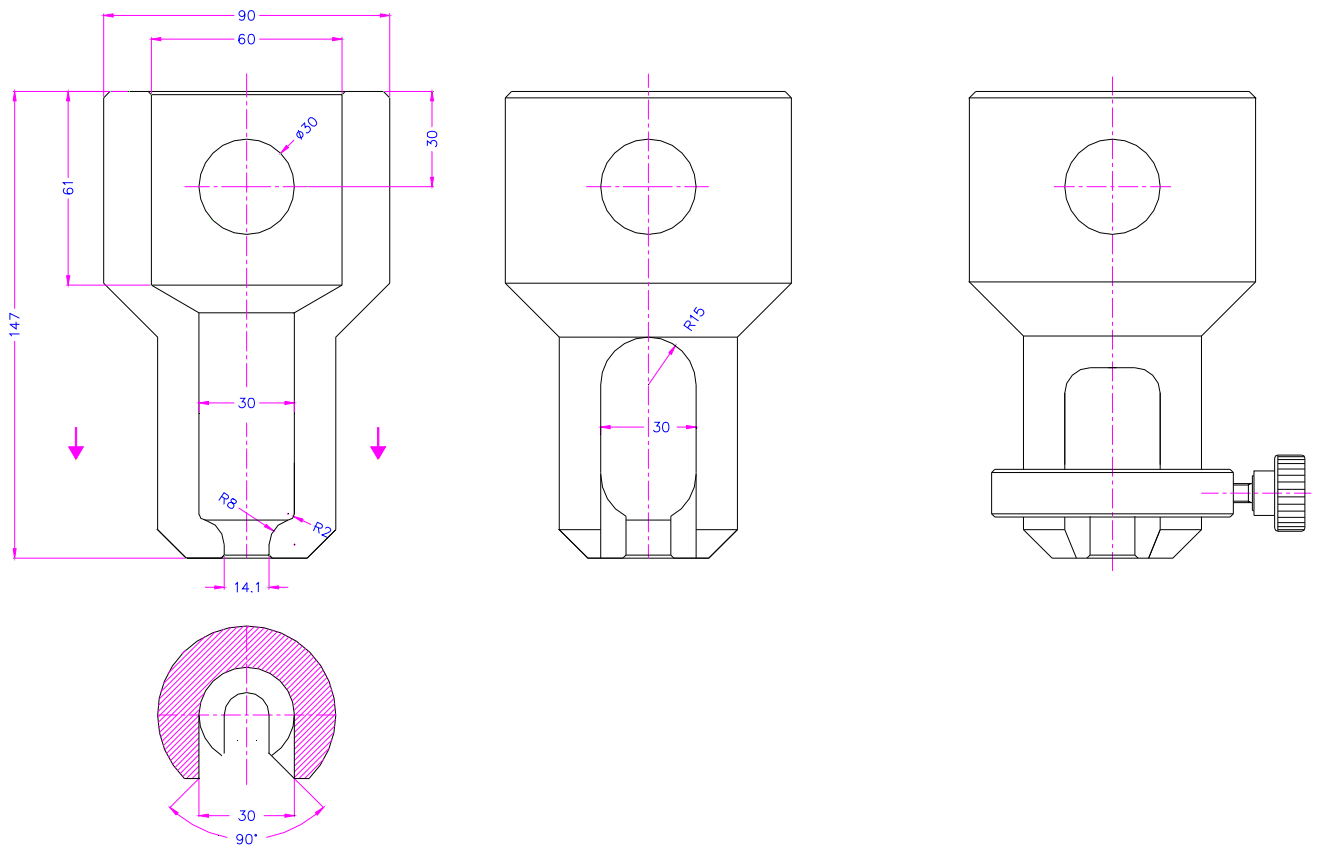
TH89-30-5.5-K7x22.62



TH89-318-10-22



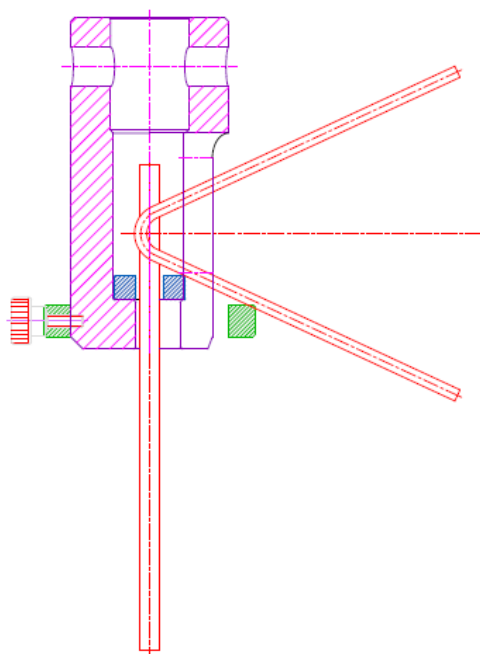
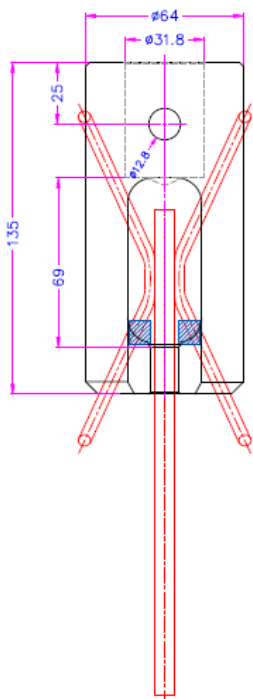
TH89-50-10



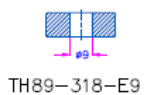
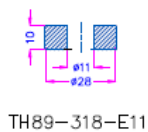
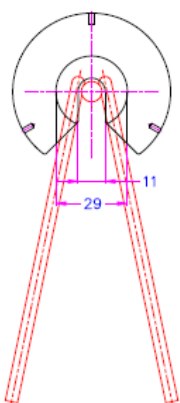
250kN

TH89-60-14.1-R8

Customized versions:



TH89-318-L69+E9+E11
shear test for melted wires



See also other chuck grips:

www.grip.de/G09

www.grip.de/G09/TH4

www.grip.de/G09/THS565

www.grip.de/G09/THS885