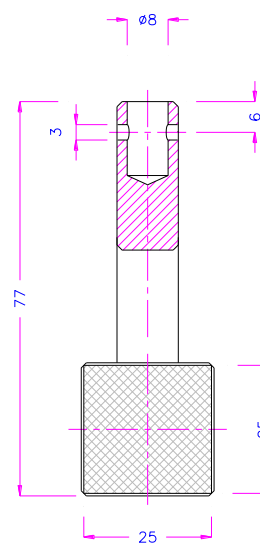
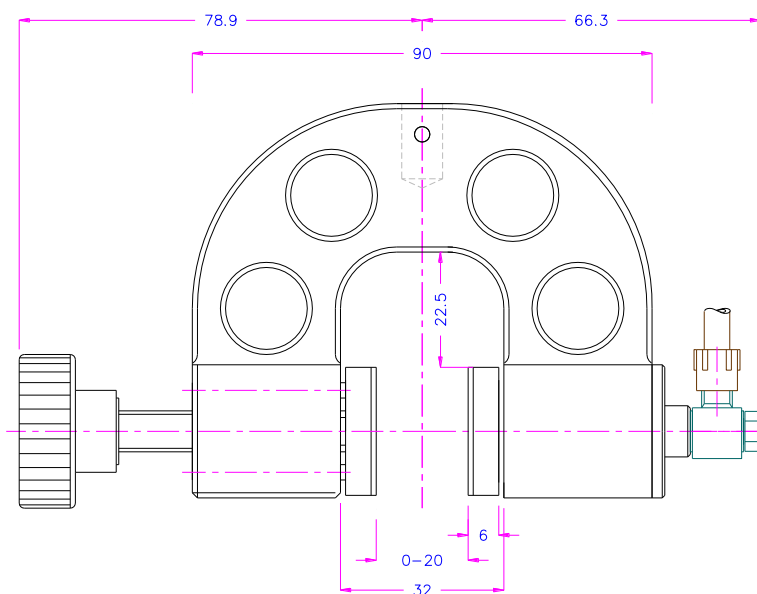


Pneumatic Grip

Item number:	TH94
Clamping force:	200 N / 7 bar
Opening:	0 - 20 mm (depending on jaws)
Coupling:	Af 8/3
Pneumatic coupling:	M5
Body:	Aluminum, anodized
Weight:	240 gram each grip (without jaws)
Temperature range:	0°C ... +70°C (depending on jaws) Other temperature ranges on request
Scope of delivery:	1 pair of grips. Jaws to be ordered separately.



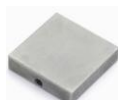
Jaws for TH94: Scope of delivery 1 set = 4 jaws

Item No.	Surface	Clamping surface H x W	Opening	Weight per pair
TH94-B	Blank jaws	25 x 25 mm	0 - 20 mm	53 gram
TH94-BG	Rubber jaws	25 x 25 mm	0 - 18 mm	56 gram
TH94-BP	Pyramid jaws	25 x 25 mm	0 - 20 mm	49 gram
TH94-BD	Diamond jaws	25 x 25 mm	0 - 20 mm	54 gram
TH94-B50	Blank jaws	25 x 50 mm	0 - 20 mm	111 gram
TH94-BG50	Rubber jaws	25 x 50 mm	0 - 18 mm	114 gram
TH94-BP50	Pyramid jaws	25 x 50 mm	0 - 20 mm	104 gram
TH94-BW50	Wave jaws	25 x 50 mm	0 - 16 mm	128 gram
TH94-BD50	Diamond jaws	25 x 50 mm	0 - 20 mm	112 gram
TH94-B25.4x76.2	Blank jaws	25.4 x 76.2 mm	0 - 20 mm	234 gram
TH94-B25.4x76.2-Ni	Blank nickel-plated jaws	25.4 x 76.2 mm	0 - 20 mm	234 gram
TH94-BG25.4x76.2	Rubber-coated jaws	25.4 x 76.2 mm	0 - 18 mm	240 gram
TH94-BP25.4x76.2	Pyramid (serrated) jaws	25.4 x 76.2 mm	0 - 20 mm	216 gram

Jaws with other dimensions and surface coatings on request

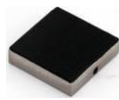
Blank jaws

- Steel blanks
- Applicable for own further treatments



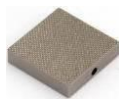
Rubber jaws

- 1 mm rubber coating
- Nickel-plated



Pyramid jaws

- Pyramids 1x45°
- Hardened steel 58 HRC
- Nickel-plated



Wave jaws

- Wave 5 mm
- Hardened steel 58 HRC

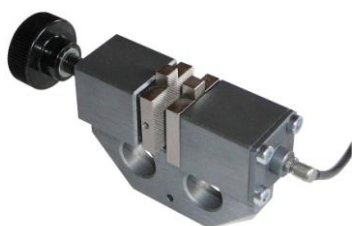


Diamond jaws

- Coated with synthetic diamonds
- Nickel-plated



Customized solutions:



TH94-S2+BP-S21



TH94 +B100x25 special jaws
Blank jaws: height 100 mm x width 25 mm



TH94-HT-B
For temperature chambers



TH94-BLCR3x110 + TH205-4
Line contact jaws + blank jaws

Pneumatic accessories for TH94:



TH205-1 Foot pedals

None locking: The jaws of the grip open by pressing the foot pedal and close after removing the foot from the pedal.

Scope of delivery: 1 pair of foot switches including tubes and fittings



TH205-2 Foot pedals

With locking function: The jaws of the grip open by pressing the foot pedal and remain opened after removing the foot from the pedal. The jaws close by pressing the pedal one more time.

Scope of delivery: 1 pair of foot switches including tubes and fittings



TH205-PR10bar Pressure regulator

Optional for TH205-1 or TH205-2

To adjust air pressure: 1-10 bar



TH205-PR16bar Pressure regulator

Optional for TH205-1 or TH205-2

To adjust air pressure: 1-16 bar



TH205-3 Hand switches

With locking function: The jaws of the grip close by pulling the handle and remain closed. The jaws open by pushing the handle back.

Scope of delivery: 1 unit of hand switches including tubes and fittings



TH205-4-M5 Micro hand switches

Pneumatic micro – hand switches, tubes and fittings, M5 pneumatic connection

With locking function: The hand switches are directly installed at the grips (only for 1/8" couplings), 3/2 directional valve. Only for single action rods with spring inside.

Scope of supply: 2 hand switches including tubes and fittings



TH216 Silent compressor for laboratories, oil-lubricated, with pressure reducer

Max pressure 16 bar; 230 V/50 Hz; noise level: 38 dB(A)

Motor: 0.13 kW; displacement: 17 l/min; tank size 3.5 l

Dimensions: 340x290x340 mm (L x W x H); weight 18 kg