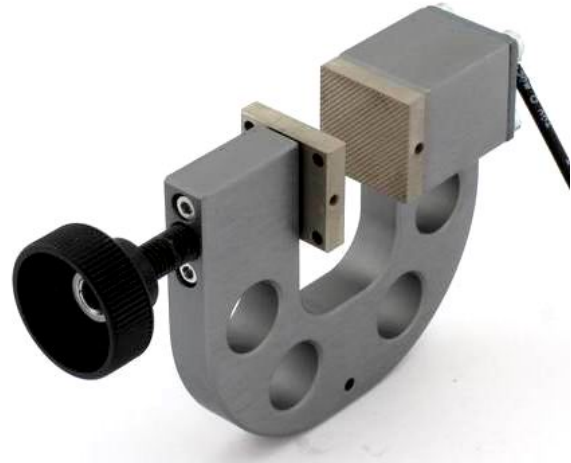


TH94 Pneumatic grip
A light-weight, small pneumatic grip

- Clamping force: 200 N / 7 bar
- Opening: 0-20 mm (depending on jaws)
- Temperature range: 0°C - +70°C (depending on jaws)
 Other temperature ranges possible on request
- Body: Aluminum, anodized
- Pneumatic connection: M3 for Micro fittings or with additional Adapter (TH205-PK23) for 1/8" pneumatic connection
- Weight: 214 gram each grip (without jaws)

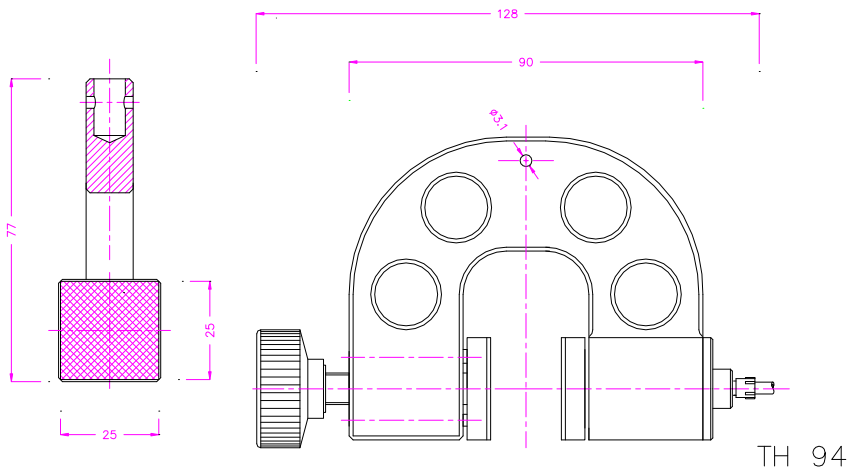


Ordering information Item No.: TH94
 Scope of delivery: 1 pair of grips, tubes and two additional adapters TH205-PK23. Jaws for TH94 must be ordered separate.

Jaws for TH94: Scope of delivery 1 set = 4 jaws

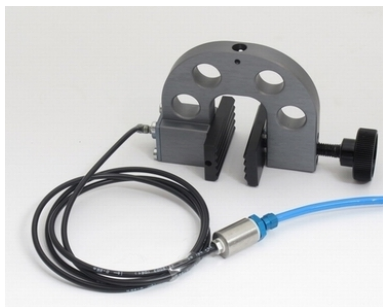
Item No.	Surface	Clamping surface H x W	Opening	Weight per pair
TH94-B	Blank jaws	25 x 25mm	0 – 20mm	53 gram
TH94-BG	Rubber jaws	25 x 25mm	0 – 18mm	56 gram
TH94-BP	Pyramid jaws	25 x 25mm	0 – 20mm	49 gram
TH94-BD	Diamond jaws	25 x 25mm	0 – 20mm	54 gram
TH94-B50	Blank jaws	25 x 50mm	0 – 20mm	111 gram
TH94-BG50	Rubber jaws	25 x 50mm	0 – 18mm	114 gram
TH94-BP50	Pyramid jaws	25 x 50mm	0 – 20mm	104 gram
TH94-BW50	Wave jaws	25 x 50mm	0 – 16mm	128 gram
TH94-BD50	Diamond jaws	25 x 50mm	0 – 20mm	112 gram

Jaws with other dimensions and surface coatings on request



<p>Blank jaws</p> <ul style="list-style-type: none"> - Applicable for own further treatments - Steel blanks without coating 	
<p>Rubber jaws</p> <ul style="list-style-type: none"> - 1mm rubber coating (NBR) - Nickel plated 	
<p>Pyramid jaws</p> <ul style="list-style-type: none"> - Pyramids 1x45° - Hardened steel 58 HRC - Nickel plated 	
<p>Wave jaws</p> <ul style="list-style-type: none"> - Wave 5 mm - Hardened steel 58 HRC 	
<p>Diamond jaws</p> <ul style="list-style-type: none"> - Clamping surface coated with synthetic diamonds - Nickel plated 	

Examples for additional special solutions:



TH94 with TH94-BW50 jaws + TH205-PK23 adapter



TH94-S2+BP-S21
 Reduced height



TH94 with TH94-B100x25 special jaws
 Blank jaws: height 100 mm x width 25mm



TH94-HT-B
For usage in Temperature chamber

Accessories:



TH205-1

2 pneumatic foot switches, tubes and fittings

None locking: The jaws of the grip open by pressing the foot pedal and close after removing the foot from the pedal.

Scope of delivery: 1 pair of foot switches including tubes and fittings



TH205-2

2 pneumatic foot switches, tubes and fittings,

With locking function: The jaws of the grip open by pressing the foot pedal and remain opened after removing the foot from the pedal. The jaws close by pressing the pedal one more time.

Scope of delivery: 1 pair of foot switches including tubes and fittings



TH205-1 +PR

Optional for TH205-1 or TH205-2

Pressure regulator

To adjust air pressure: 1-10 bar



TH205-3

1 unit of pneumatic hand switches, tubes and fittings

With locking function: Handle with 2 positions. The jaws of the grip close by pulling the handle and remain closed. The jaws open by pushing the handle back.

Scope of delivery: 1 unit of hand switches including tubes and fittings



TH216

Silent compressor appropriate for laboratories

Max pressure: 16 bar; noise level: 45dB(A)

Motor 400 Watt; displacement 25 l/min

With pressure reducer/water trap

Dimensions: 280x190x240 mm (L x W x H); weight ~ 14 kg