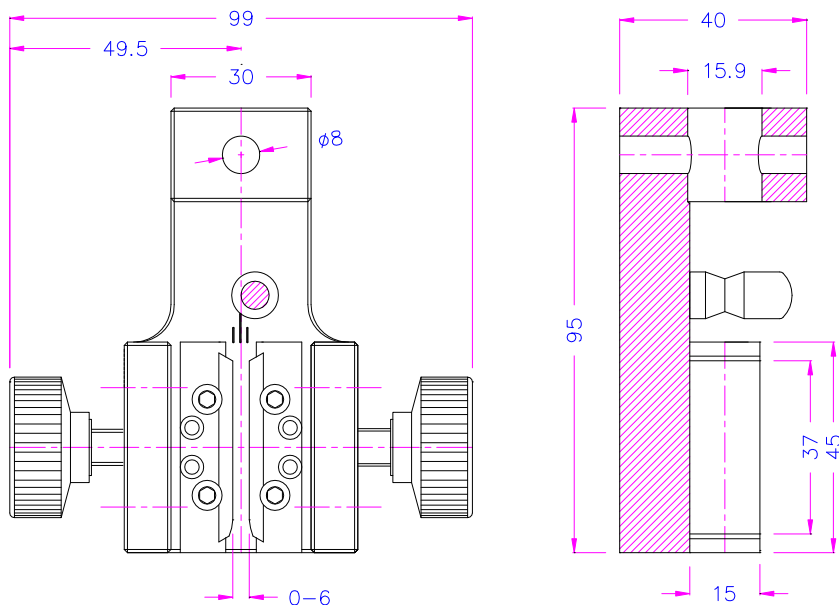


GRIPS TO TEST WIRES

This grip is used for fine wires, thin ropes and narrow bands

Item no.:	TH9
Max. load:	2.5 kN
Coupling:	Af159 mm or Af20 mm Further couplings on request
Body:	Aluminum, anodized
Weight per grip with jaws:	0.38 kg
Temperature range*:	0°C ... +70° Further temperature ranges on request
Scope of delivery:	1 pair incl. carriers for insert jaws. Insert jaws must be ordered separately.



Insert jaws for TH9:

For a quick change of insert jaws, a carrier is needed (TH9-GT). Scope of delivery: 1 set= 4 jaws

Item No.	Surface	Clamping surface (H x W)	Opening	Weight per pair
TH9-GT	Carrier for insert jaws	-	-	84 g
TH9-EB	Blank insert jaws	37x15 mm	0 – 5 mm	26 g
TH9-EBD	Diamond-coated insert jaws	37x15 mm	0 – 5 mm	26 g

Jaws faces with other dimensions and surface coatings are available on request



TH9-EB

TH9-EBD

TH9-GT

Pneumatic versions

Item no.:	TH9+Ko and TH9+2Ko
Clamping force:	1.2 kN
Coupling:	Af159 mm or Af20 mm Further couplings on request
Pneumatic connection:	M5
Body:	Aluminum, anodized
Weight per grip with jaws:	0.56 kg (TH9+Ko) 0.74 kg (TH9+2Ko)
Temperature range:	0°C ... +70° Further temperature ranges on request
Scope of delivery:	1 pair incl. carriers for insert jaws. Insert jaws must be ordered separately.



TH9+Ko



TH9+2Ko

Pneumatic accessories:

**TH205-1 Foot pedals**

None locking: The jaws of the grip open by pressing the foot pedal and close after removing the foot from the pedal.

Scope of delivery: 1 pair of foot switches including tubes and fittings

**TH205-2 Foot pedals**

With locking function: The jaws of the grip open by pressing the foot pedal and remain opened after removing the foot from the pedal. The jaws close by pressing the pedal one more time.

Scope of delivery: 1 pair of foot switches including tubes and fittings

**TH205-PR16 Pressure regulator**

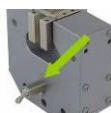
Optional for TH205-1 or TH205-2

To adjust air pressure: 1-16 bar

**TH205-3 Hand switches**

With locking function: The jaws of the grip close by pulling the handle and remain closed. The jaws open by pushing the handle back.

Scope of delivery: 1 unit of hand switches including tubes and fittings

**TH205-4-M5 Pneumatic micro-hand switches**

Pneumatic micro – hand switches with M5 connection, tubes and fittings

With locking function (see TH205-3)

The hand switches are directly mounted at the grips. 3/2 directional valve

Scope of supply: 2 hand switches including tubes and fittings

**TH216 Silent compressor for laboratories, oil-lubricated, with pressure reducer**

Max pressure 16 bar; 230 V/50 HZ; noise level: 38 dB(A)

Motor: 0.13 kW; displacement: 17 l/min; tank size 3.5 l

Dimensions: 340x290x340 mm (L x W x H); weight 18 kg