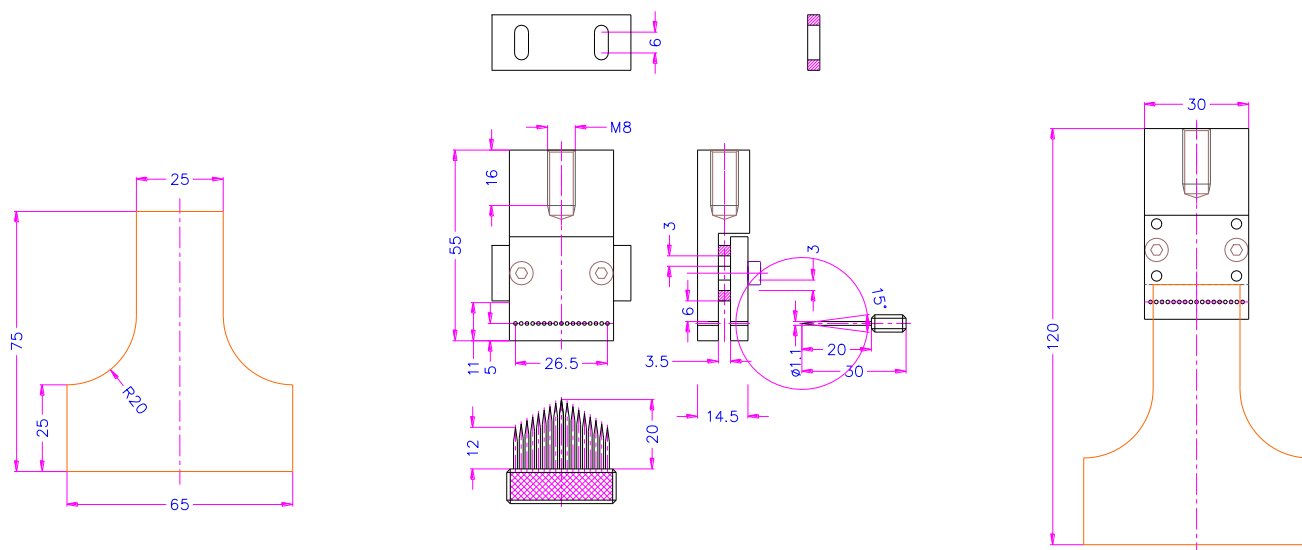


NEEDLE TEAR TEST FIXTURE

according to ISO 17697 (Method A) and EN 13572 (Method A).
Footwear - Test methods for uppers, lining and insocks - Seam strength

Item no.:	THS1205
Coupling:	M8
Body:	Steel, nickel-plated
Temperature range:	0 ... 70°C
Scope of delivery:	1 fixture



THS1205-M8 ISO17697 EN13572