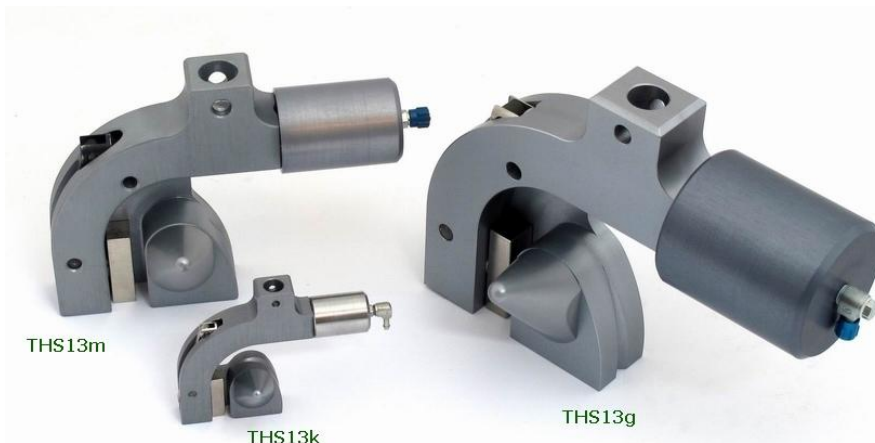


Pneumatic grips Bollard style 200N, 2kN and 5kN

THS13 grips are applicable (depending on type) for fibers, fine wires, cords, filaments yarns, cord etc.

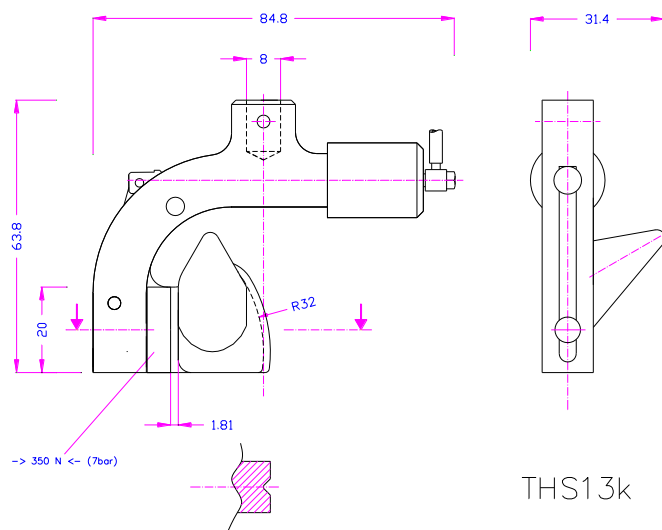
Guide horn with centering groove

180° redirection of specimen
-> The breakage of the specimen in the clamping area is prevented by generating a slow notch free stress relief



Item number	THS13k	THS13m	THS13g
Applicable for	Fibers, filaments etc up to 200 N	Yarns, cords, strands etc up to 2 kN	Wires, strands, cords etc up to 5 kN
Tensile force	200 N / 7 bar	2 kN / 7 bar	5 kN / 7 bar
Recommended specimen diameter	1 mm Ø	2 mm Ø	3 mm Ø
Minimal specimen length	15 cm	25 cm	30 cm
Clamping surface of jaws HxW	6 x 20mm	12 x 36mm	15 x 44mm
Temperature range*	-10 – 80°C*	-10 – 80°C*	-10 – 80°C*
Pneumatic connection	M3 for micro fittings or with additional adapter (TH205-PK23) for 1/8" normal pneumatics	Internal thread M5	Internal thread M5
Body	Aluminum, anodized	Aluminum, anodized	Aluminum, anodized
Weight inclusive jaws	102 gram per grip	0.59 kg per grip	1.25 kg per grip
Ordering information Scope of delivery	Item No. THS13k: 1 pair of grips without jaws	Item No. THS13m: 1 pair of grips without jaws	Item No. THS13g: 1 pair of grips without jaws

* Other temperature ranges on request (with Viton sealing and Teflon tubes -70°C up to +180°C)



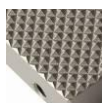
THS13k with TH205-PK23 adapter

THS13k

Jaw surfaces for THS13:



THS13-B
Blank jaws



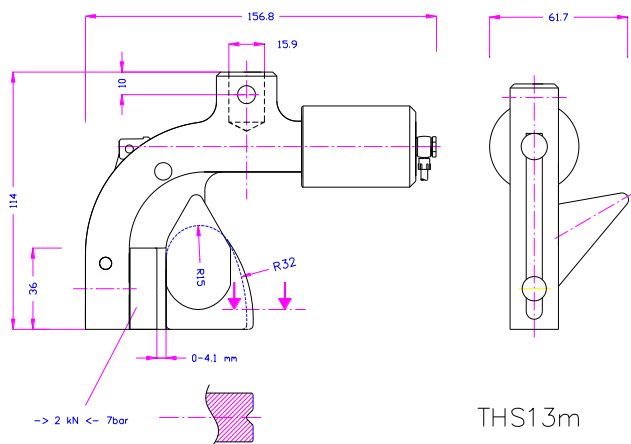
THS13-BP
Pyramid (serrated) jaws



THS13-BG
Rubber-faced jaws



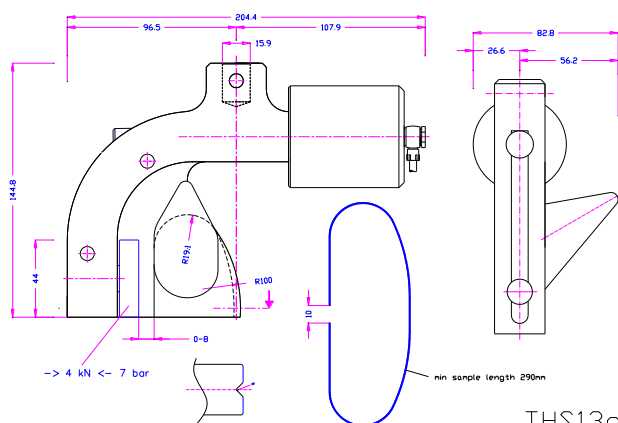
THS13-BD
Diamond-faced jaws



THS13m



THS13m with THS13m-BG rubber jaws



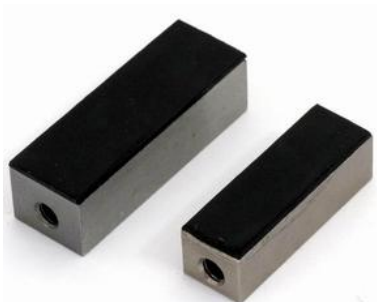
THS13g



Jaws



THS13m-BP0.5 Special jaws. Fine pyramids, cross cut 0.5x45° Nickel coated T range -70°C to +180°C



THS13m-BG and THS13k-BG Rubber jaws for THS13 Nickel coated T range -70°C to +70°C



THS13m-BD Diamond jaws for fine hard wires Nickel coated T range -70°C to +180°C



THS13m-ER25 Stainless steel guide horn(ASTMD7279)



THS13g-ER25

Special version

Guide exchangeable
made of stainless steel
Radius 2.5 mm



THS13g-ER3-SS

stainless steel guide with Radius R3



Pneumatic accessories



TH205-1 Foot pedals

None locking: The jaws of the grip open by pressing the foot pedal and close after removing the foot from the pedal.

Scope of delivery: 1 pair of foot switches including tubes and fittings



TH205-2 Foot pedals

With locking function: The jaws of the grip open by pressing the foot pedal and remain opened after removing the foot from the pedal. The jaws close by pressing the pedal one more time.

Scope of delivery: 1 pair of foot switches including tubes and fittings



TH205-PR16bar Pressure regulator

Optional for TH205-1 or TH205-2

To adjust air pressure: 1-16 bar



TH205-3 Hand switches

With locking function: The jaws of the grip close by pulling the handle and remain closed. The jaws open by pushing the handle back.

Scope of delivery: 1 unit of hand switches including tubes and fittings



TH205-4-M5 Hand switches

Pneumatic micro – hand switches, tubes and fittings, M5 connection

With locking function: The hand switches are directly installed at the grips, 3/2 directional valve. Only for single action rods with spring inside.

Scope of supply: 2 hand switches including tubes and fittings



TH216 Silent compressor for laboratories, oil-lubricated, with pressure reducer

Max pressure 16 bar; 230 V/50 HZ; noise level: 38 dB(A)

Motor: 0.13 kW; displacement: 17 l/min; tank size 3.5 l

Dimensions: 340x290x340 mm (L x W x H); weight 18 kg

<http://youtu.be/z3rvQ9zYzso>

THS13k 0.2N

www.grip.de/G11