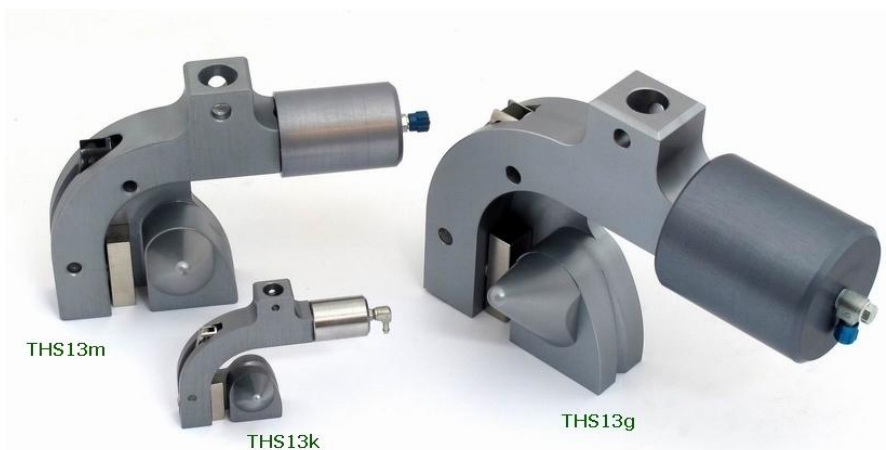


Pneumatic grips Bollard style 200N, 2kN and 5kN

THS13 grips are applicable (depending on type) for fibers, fine wires, cords, filaments yarns, cord etc.

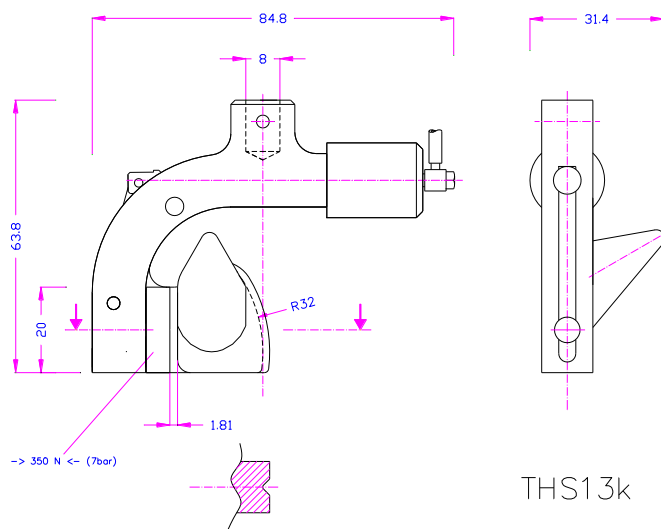
Guide horn with centering groove

180° redirection of specimen
-> The breakage of the specimen in the clamping area is prevented by generating a slow notch free stress relief



Item number	THS13k and THS13+BD	THS13m and THS13m+BD	THS13g and THS13g+BD
Applicable for	Fibers, filaments etc up to 200N	Yarns, cords, strands etc up to 2kN	Wires, strands, cords etc up to 5kN
Tensile force	200 N / 7 bar	2 kN / 7 bar	5 kN / 7 bar
Recommended specimen diameter	1 mm Ø	2 mm Ø	3 mm Ø
Minimal specimen length	15 cm	25 cm	30 cm
Jaws surfaces	Blank jaws (THS13k) Diamond jaws (THS13k+BD) Other surfaces on request	Blank jaws (THS13m) Diamond jaws (THS13m+BD) Other surfaces on request	Blank jaws (THS13g) Diamond jaws (THS13g+BD) Other surfaces on request
Clamping surface of jaws HxW	6 x 20mm	12 x 36mm	15 x 44mm
Temperature range*	-10 – 80°C*	-10 – 80°C*	-10 – 80°C*
Pneumatic connection	M3 for micro fittings or with additional adapter (TH205-PK23) for 1/8" normal pneumatics	Internal thread M5	Internal thread M5
Body	Aluminum, anodized	Aluminum, anodized	Aluminum, anodized
Weight inclusive jaws	102 gram per grip	0.59 kg per grip	1.25 kg per grip
Ordering information Scope of delivery	Item No. THS13k: 1 pair of grips incl. blank jaws and adapter TH205-PK23 Item No. THS13k+BD: 1 of grips pair incl. diamond jaws and adapter TH205-PK23	Item No. THS13m: 1 pair of grips incl. blank jaws Item No. THS13m+BD: 1 pair of grips incl. diamond jaws	Item No. THS13g: 1 pair of grips incl. blank jaws Item No. THS13g+BD: 1 pair of grips incl. diamond jaws

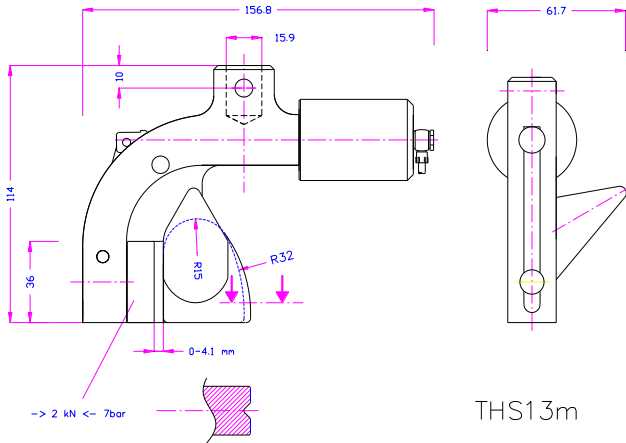
* Other temperature ranges on request



THS13k with TH205-PK23 adapter

THS13k

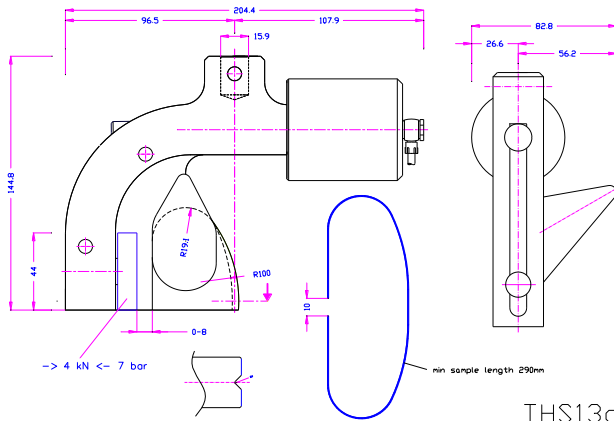
THS13



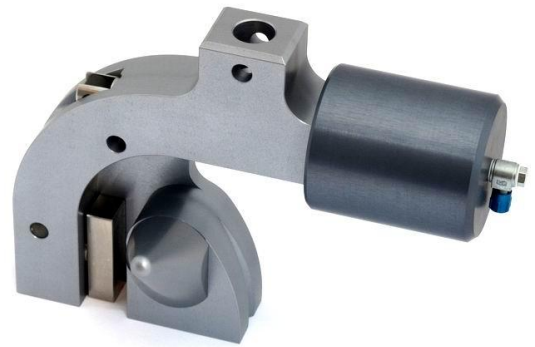
THS13m



THS13m with THS13m-BG rubber jaws



THS13g



Jaws



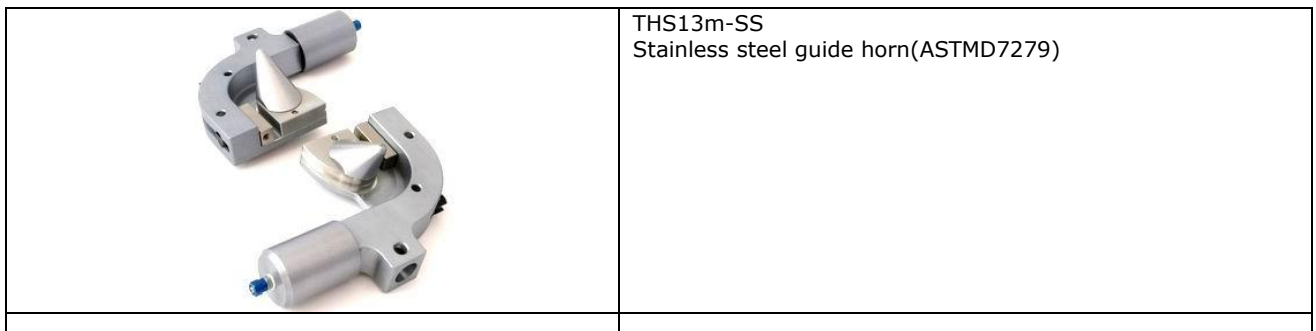
THS13m-BP0.5 Fine pyramids serrated, cross cut 0.5x45° Nickel coated T range -70°C to +180°C



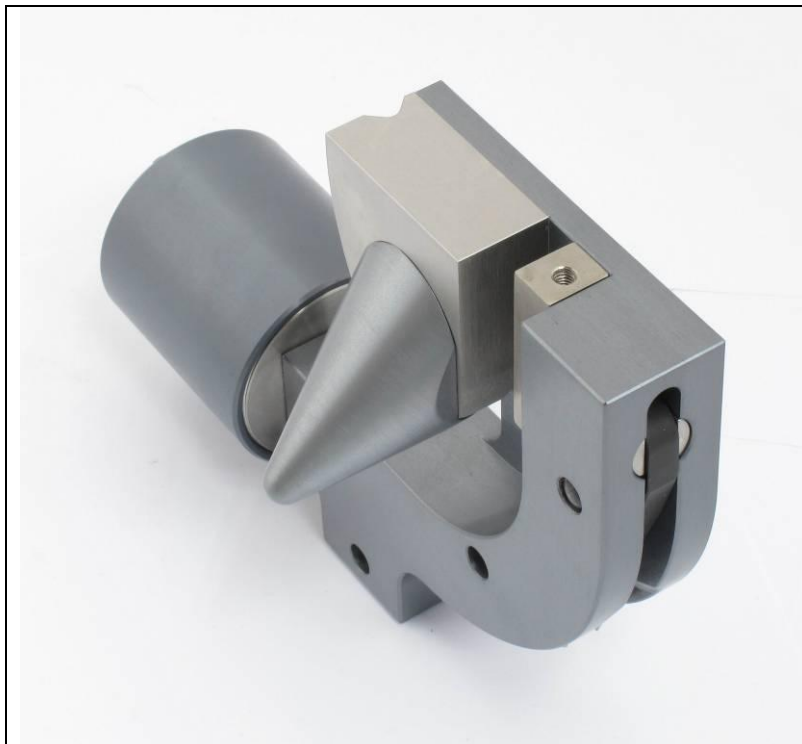
THS13m-BG and THS13k-BG Rubber jaws for THS13 Nickel coated T range -70°C to +70°C



THS13m-BD Diamond jaws for fine hard wires Nickel coated T range -70°C to +180°C



THS13m-SS Stainless steel guide horn(ASTMD7279)



THS13g-ER25

Special version

Guide exchangeable
made of stainless steel
Radius 2.5 mm









THS13g-ER3-SS

stainless steel guide with Radius R3



Accessories

	TH205-1 Foot pedals <u>None locking</u> : The jaws of the grip open by pressing the foot pedal and close after removing the foot from the pedal. Scope of delivery: 1 pair of foot switches including tubes and fittings
	TH205-2 Foot pedals <u>With locking function</u> : The jaws of the grip open by pressing the foot pedal and remain opened after removing the foot from the pedal. The jaws close by pressing the pedal one more time. Scope of delivery: 1 pair of foot switches including tubes and fittings
	TH205-.+PR Pressure regulator Optional for TH205-1 or TH205-2 To adjust air pressure:1-10 bar
	TH205-3 Hand switches <u>With locking function</u> : The jaws of the grip close by pulling the handle and remain closed. The jaws open by pushing the handle back. Scope of delivery: 1 unit of hand switches including tubes and fittings
	TH205-4 Hand switches <u>With locking function (see TH205-3)</u> . The hand switches are directly mounted at the grips. 3/2 directional valve Scope of supply: 2 hand switches including tubes and fittings (not available for THS13k)
	TH216 Compressor for laboratories, oil-lubricated Max pressure 16 bar, 230V, noise level: 38dB(A)/1m, Displacement 5 l/min, tank size 3.1 litre (0.82 gallon) Dimensions: 340x290x340 mm (L x W x H); weight 16 kg. Different voltages available on request
