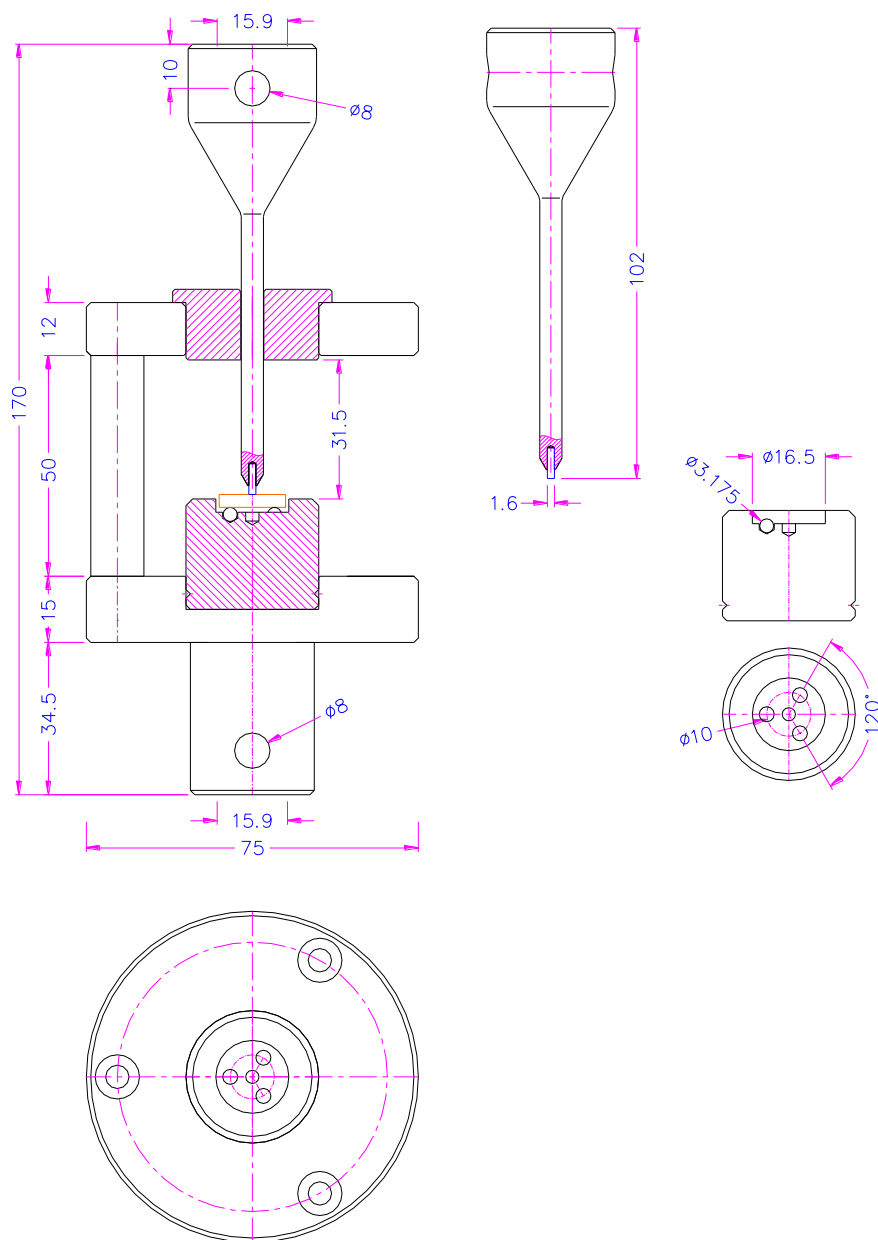


BIAXIAL FLEXTURE FIXTURES

for dental ceramic materials for fixed all-ceramic and metal-ceramic restorations and prostheses according to ISO 6872 and ASTM F394.

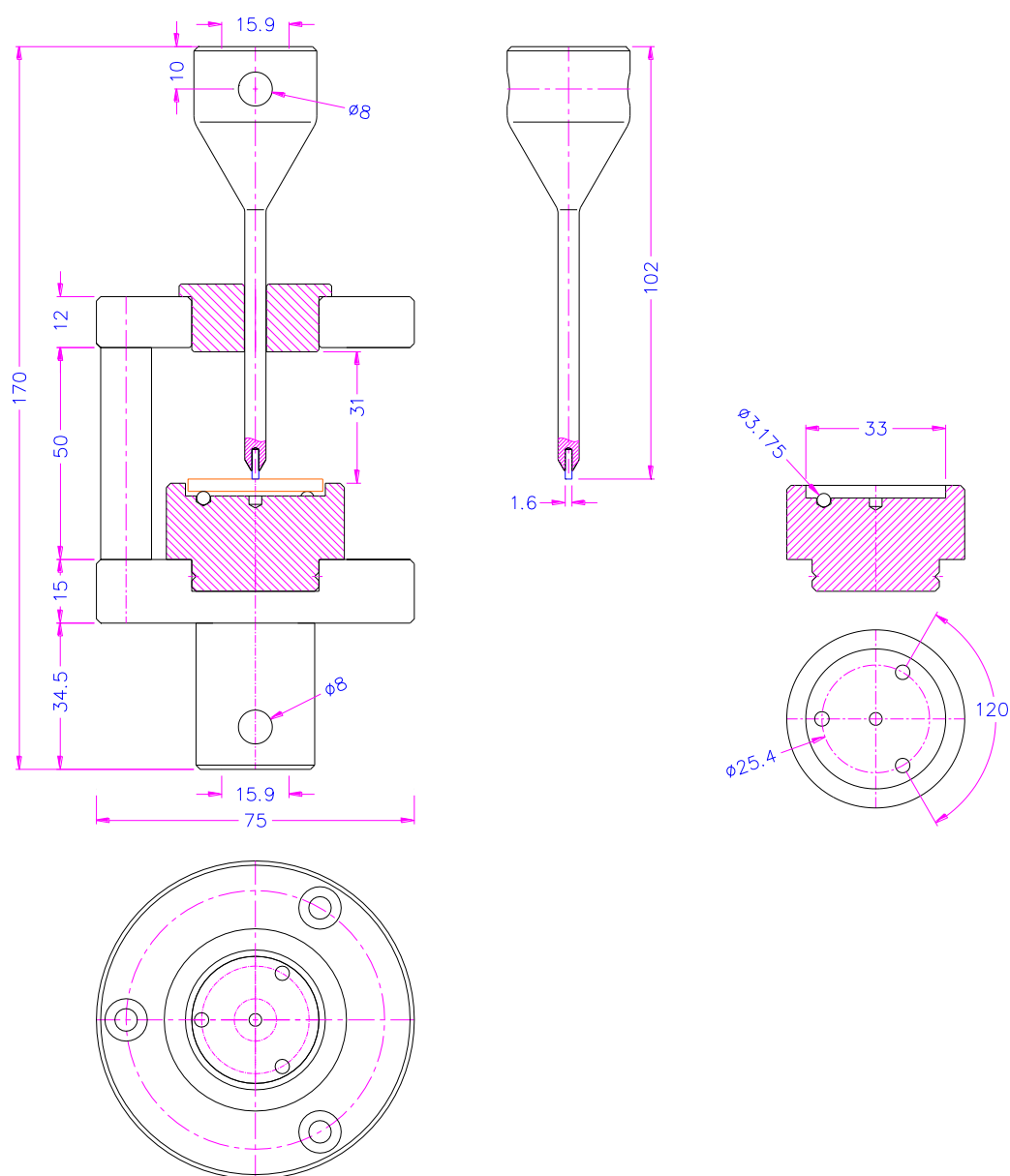
Item no.:	THS1620-16-1.6-ISO6872
Max. load:	1 kN
Coupling:	Af159 mm Further couplings on request
Pin:	1.6 mm Ø, tungsten carbide
Sample max.:	16 mm Ø
Body:	Stainless steel V2A, 1.4301
Temperature range:	-70° ... 280°C
Scope of supply:	1 fixture incl. 3 tungsten carbide balls 3.18 mm Ø



THS1620-16-1.6-ISO6872

Biaxial flexure fixture to test strength (modulus of rupture) of ceramic substrates according to ASTM F394.

Item no.:	THS1620-31.8-1.6-ASTMF394
Max. load:	1 kN
Coupling:	Af159 mm Further couplings on request
Pin:	1.6 mm (0.063 in.) Ø, tungsten carbide
Sample max.:	31.8 mm (1 1/2 in.) Ø
Body:	Stainless steel V2A, 1.4301
Temperature range:	-70° ... 280°C
Scope of supply:	1 fixture incl. 3 tungsten carbide balls 3.18 mm (0.125 in.) Ø



THS1620-31.8-1.6-ASTMF394